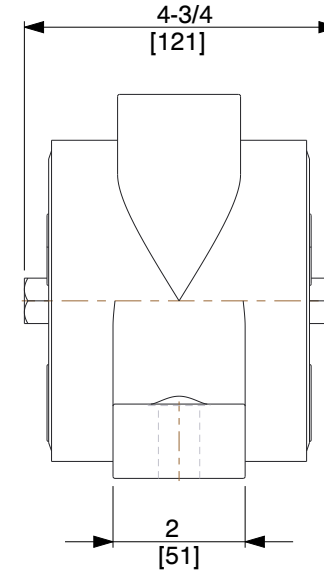
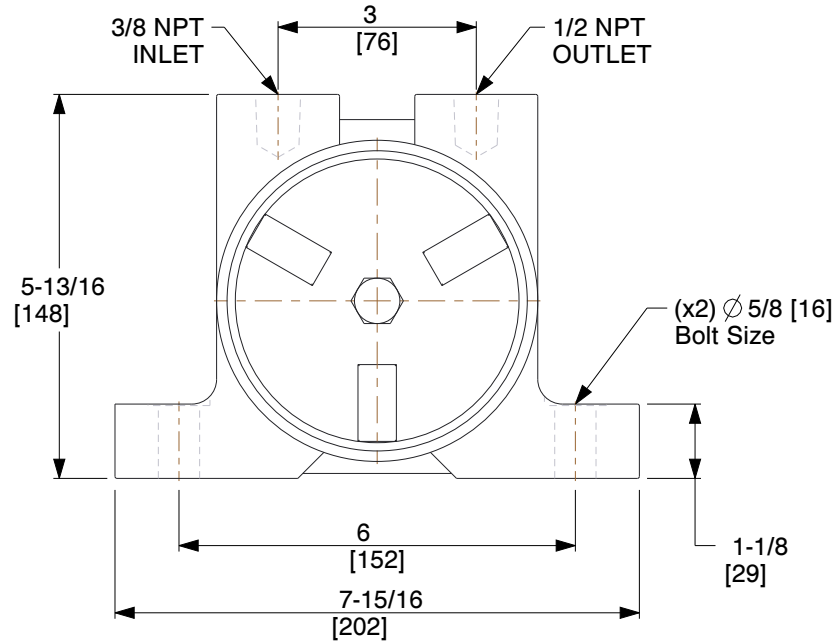


Force Rating	670 lb.	Max. Pressure	80 psi
Bin Weight Capacity	6700 lb.	Max. Temp.	350 °F
Speed @ 80 psi	5000 VPM	Speed @ 60 psi	4500 VPM
dB @ 80 psi	74	dB @ 60 psi	-
CFM @ 80 psi	10	CFM @ 60 psi	8



NOTES:

1. MUFFLER: 1A328
2. DUTY: Continuous
3. VIBRATOR TYPE: Turbine
4. BEARING TYPE: Oversized
5. HOUSING MATERIAL: Cast Iron
6. MOUNTING PLATE: Sold Separately
7. STANDARDS: CE Certified, ATEX Certified

COMPONENT	Pneumatic Vibrator
------------------	--------------------



100 Grainger Parkway, Lake Forest, Illinois 60045-5201
 1-(800) GRAINGER, 1-(800) 472-4643, (847) 535-1000
 www.grainger.com

This file and any associated information and specifications are provided for reference and evaluation purposes only, and is subject to change without notice. Grainger makes no representations, warranties or guarantees as to the appropriateness, accuracy, completeness, or suitability for any purpose, of the file, information or specifications. You are solely responsible for the use of the file, information or specifications.

This drawing is the property of GRAINGER. It contains confidential, proprietary information that is GRAINGER property. Do not disclose to or duplicate for others except as authorized by GRAINGER.

SCALE 0.344

6L756 PNEUMATIC VIBRATOR, 670 LB, 4500 VPM, 80 PSI

UNIT
INCH [MM]
SHEET
1 of 1