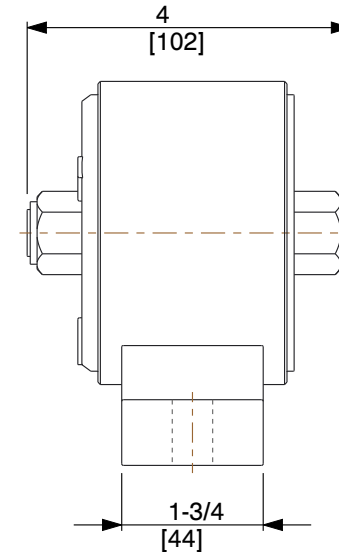
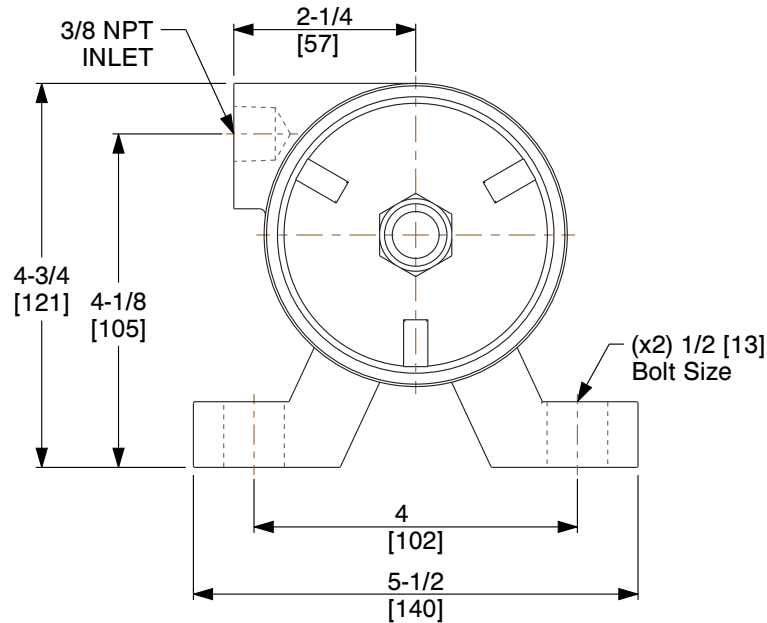


Force Rating	600 lb.	Max. Pressure	80 psi
Bin Weight Capacity	7000 lb.	Max. Temp.	350 °F
Speed @ 80 psi	6800 VPM	Speed @ 60 psi	5200 VPM
dB @ 80 psi	70	dB @ 60 psi	-
CFM @ 80 psi	3.5	CFM @ 60 psi	4.5



NOTES:

1. MOUNTING: Foot
2. MUFFLER: Included
3. DUTY: Continuous
4. VIBRATOR TYPE: Turbine
5. HOUSING MATERIAL: Cast Iron
6. MOUNTING PLATE: Sold Separately

COMPONENT	Pneumatic Vibrator
------------------	--------------------



100 Grainger Parkway, Lake Forest, Illinois 60045-5201
 1-(800) GRAINGER, 1-(800) 472-4643, (847) 535-1000
 www.grainger.com

This file and any associated information and specifications are provided for reference and evaluation purposes only, and is subject to change without notice. Grainger makes no representations, warranties or guarantees as to the appropriateness, accuracy, completeness, or suitability for any purpose, of the file, information or specifications. You are solely responsible for the use of the file, information or specifications.

This drawing is the property of GRAINGER. It contains confidential, proprietary information that is GRAINGER property. Do not disclose to or duplicate for others except as authorized by GRAINGER.

SCALE 0.421

6L749 PNEUMATIC VIBRATOR, 270 LB, 4200 VPM, 80 PSI

UNIT
INCH [MM]
SHEET
1 of 1