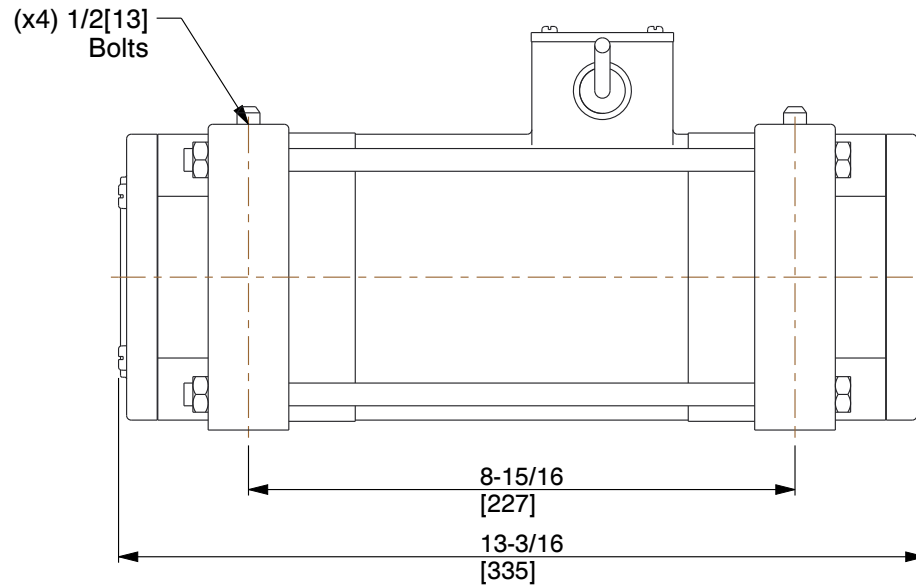
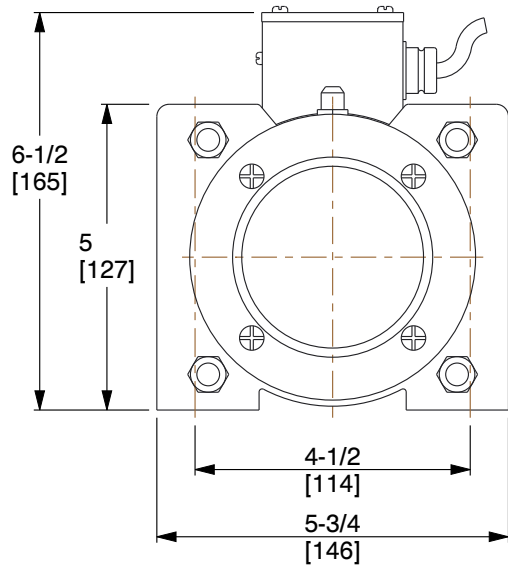


HP	1/3	dBA	70 @ 3 ft.
Phase	1	Max. Temp.	200 °F
Amps	3.5	Force Rating	500 Lb.
Voltage	115 VAC	Power Source	Electric
Speed	950 to 2500 VPM	Bin Weight Capacity	5000 Lb.



- NOTES:**
1. FORCE: Adjustable
 2. DUTY: Continuous
 3. BEARING TYPE: Oversized
 4. VIBRATOR TYPE: Adjustable
 5. ENCLOSURE: Totally Enclosed
 6. STANDARDS: ASTM and ASME
 7. MOUNTING PLATE: Sold Separately
 8. INCLUDES: 115 VAC to 100 VDC Control

COMPONENT	Electric Vibrators
------------------	--------------------



100 Grainger Parkway, Lake Forest, Illinois 60045-5201
 1-(800) GRAINGER, 1-(800) 472-4643, (847) 535-1000
 www.grainger.com

This file and any associated information and specifications are provided for reference and evaluation purposes only, and is subject to change without notice. Grainger makes no representations, warranties or guarantees as to the appropriateness, accuracy, completeness, or suitability for any purpose, of the file, information or specifications. You are solely responsible for the use of the file, information or specifications.

This drawing is the property of GRAINGER. It contains confidential, proprietary information that is GRAINGER property. Do not disclose to or duplicate for others except as authorized by GRAINGER.

SCALE 0.318

6L736 ELECTRIC VIBRATOR, 3.50A, 115VAC, 1-PHASE	UNIT
	INCH [MM]
	SHEET
	1 of 1