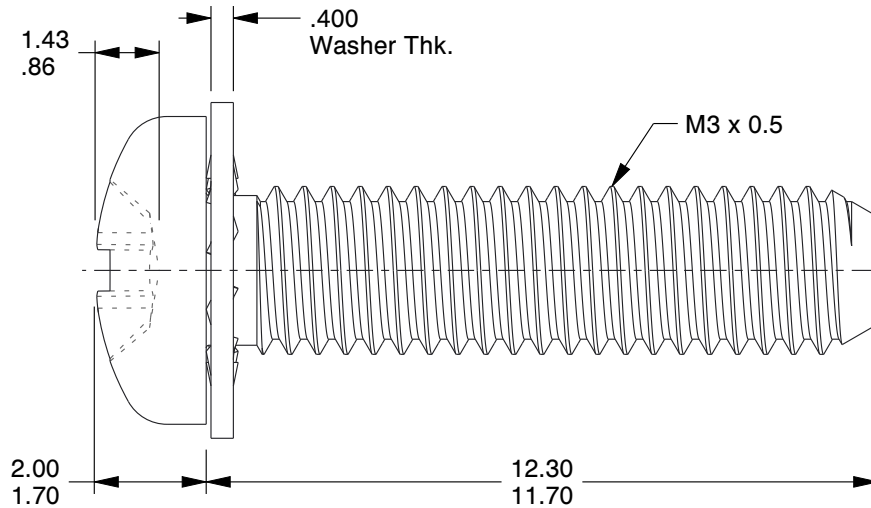
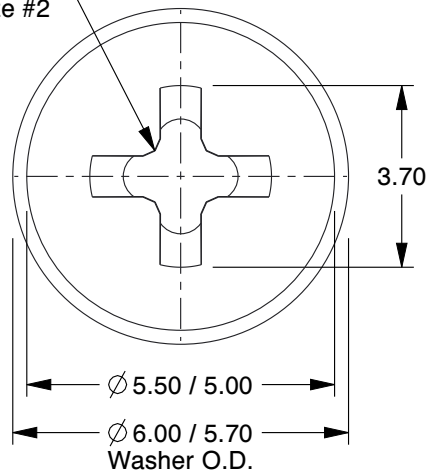


Cross-Recess
Size #2



NOTES:

1. HEAD TYPE: Pan Head
2. MATERIAL: A2 Stainless Steel
3. FINISH : Plain
4. PACKAGE QTY: 10
5. TENSILE STRENGTH : 72,500 PSI
6. STANDARD: Meets/Exceeds JIS B 1101
7. INCLUDES: Internal Lock Washer, 410 Stainless Steel



SCALE 1:1

COMPONENT		Machine Screw, Phillips	
6GU49		UNIT	MM
		SHEET	1 of 1
SCALE	7.40	Mach Screw,Pan,M3x0.50x12 L,PK10	

GRAINGER
// // // //

100 Grainger Parkway, Lake Forest, Illinois 60045-5201
1-(800) GRAINGER, 1-(800) 472-4643, (847) 535-1000
www.grainger.com

This file and any associated information and specifications are provided for reference and evaluation purposes only, and is subject to change without notice. Grainger makes no representations, warranties or guarantees as to the appropriateness, accuracy, completeness, or suitability for any purpose, of the file, information or specifications. You are solely responsible for the use of the file, information or specifications.

This drawing is the property of GRAINGER. It contains confidential, proprietary information that is GRAINGER property. Do not disclose to or duplicate for others except as authorized by GRAINGER.

SCALE 7.40