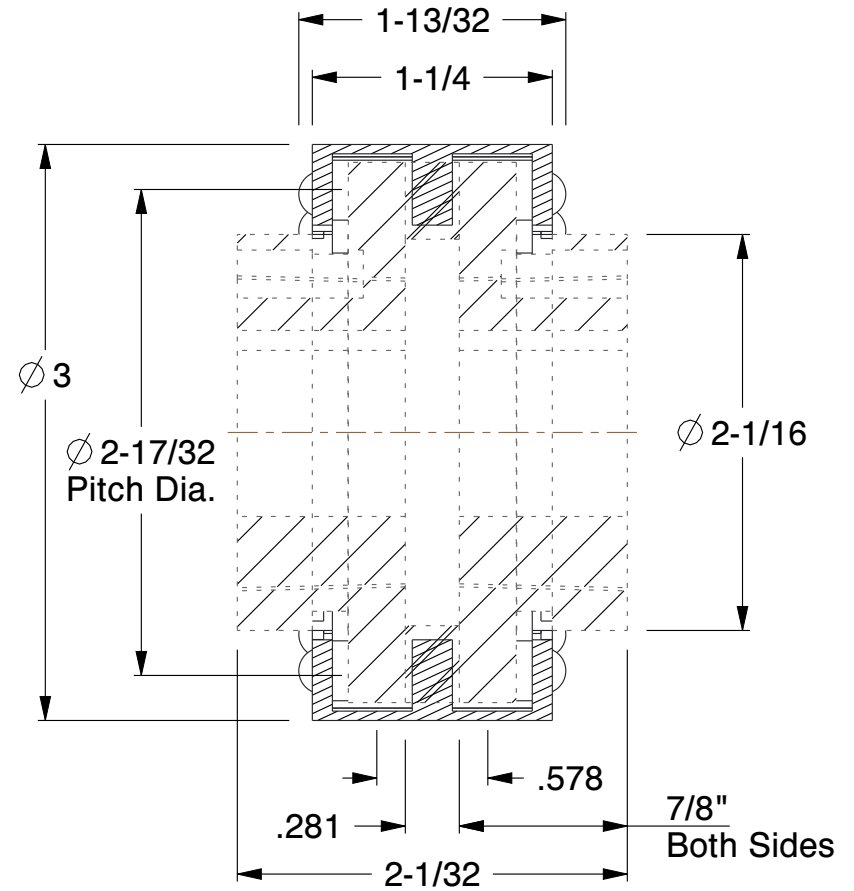


View Shown w/ Hubs
To Download Full Coupling Choose -
(Simplified - Step.) in Dropdown Menu



NOTES:

1. END FLOAT TOL.: 0.06 in.
2. HP RATION @ 100 RPM: 0.9 Hp
3. TEMPERATURE RANGE: -25° / + 150°
4. INCLUDES: One (1) Slip-Fit Coupler Pin
5. MAX PARALLEL MISALIGNMENT: 0.005 in.
6. ANGULAR MISALIGNMENT TOL.: 1 Degree
7. MATERIAL: Steel Hubs, Nylon (Delrin) Chain
8. CHAIN LENGTH Delrin Chains Can Be Cut to Lengths of 10 or 50 Ft.
9. REQUIERED / USED WITH: Two (2) 40 Pitch, 16 Teeth Sprockets - PN# 40B16

COMPONENT		Couling Chain	
6AGT5		UNIT	INCH
		SHEET	1 of 1
Delrin Double Chain, 40 Pitch		SCALE	1.00



100 Grainger Parkway, Lake Forest, Illinois 60045-5201
1-(800) GRAINGER, 1-(800) 472-4643, (847) 535-1000
www.grainger.com

This file and any associated information and specifications are provided for reference and evaluation purposes only, and is subject to change without notice. Grainger makes no representations, warranties or guarantees as to the appropriateness, accuracy, completeness, or suitability for any purpose, of the file, information or specifications. You are solely responsible for the use of the file, information or specifications.

This drawing is the property of GRAINGER. It contains confidential, proprietary information that is GRAINGER property. Do not disclose to or duplicate for others except as authorized by GRAINGER.