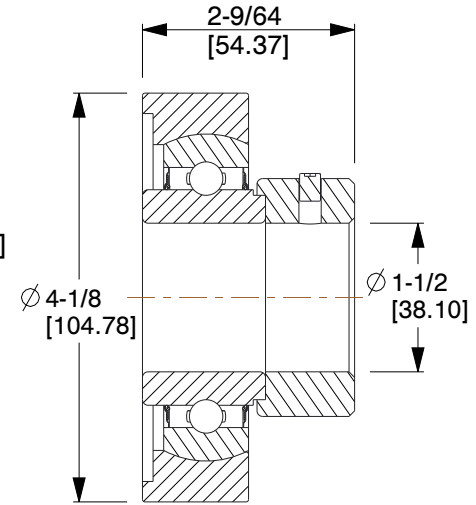


(x2) \varnothing 7/16
[11.11]



NOTES:

1. ITEM: 2-Bolt Flange Bearing
2. BEARING INSERT TYPE: Ball
3. TEMP. RANGE: -20°F to 250°F
4. SHAFT LOCKING TYPE: Set Screw
5. STATIC LOAD CAPACITY: 4000Lb.
6. DYNAMIC LOAD CAPACITY: 6550Lb.
7. BEARING INSERT MATERIAL: 52100 Chrome Steel
8. BEARING HOUSING MATERIAL TYPE: Cast Iron
9. BEARING LUBRICATION: Shell Alvania #3 or NLGI #3 Equivalent

COMPONENT	2-Bolt Flange Bearing
------------------	-----------------------



100 Grainger Parkway, Lake Forest, Illinois 60045-5201
 1-(800) GRAINGER, 1-(800) 472-4643, (847) 535-1000
 www.grainger.com

This file and any associated information and specifications are provided for reference and evaluation purposes only, and is subject to change without notice. Grainger makes no representations, warranties or guarantees as to the appropriateness, accuracy, completeness, or suitability for any purpose, of the file, information or specifications. You are solely responsible for the use of the file, information or specifications.

This drawing is the property of GRAINGER. It contains confidential, proprietary information that is GRAINGER property. Do not disclose to or duplicate for others except as authorized by GRAINGER.

SCALE 0.75

5RYF4
Flange Bearing, 2-Bolt, Ball, 1-1/2" Bore

UNIT	INCH
SHEET	1 of 1