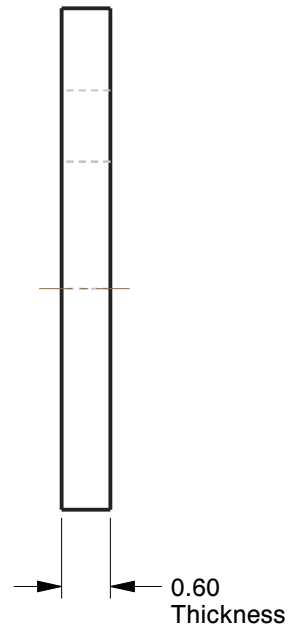
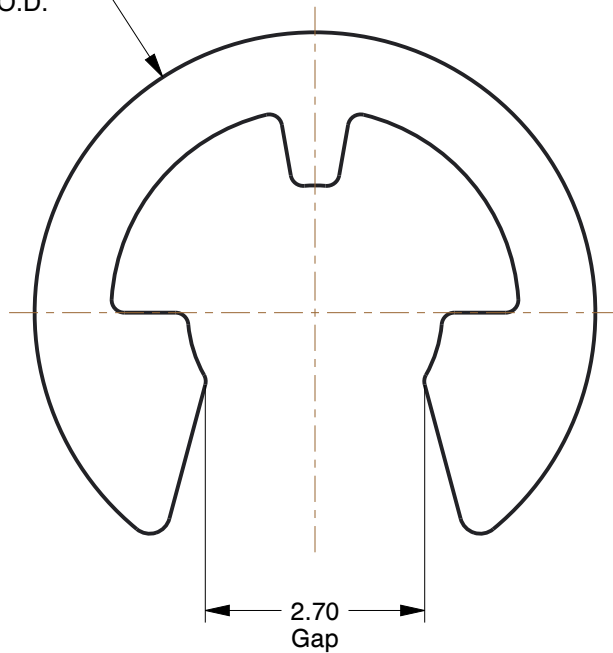


∅ 6.90
Free O.D.



NOTES:

ITEM : E Style Retaining Ring
 TYPE : External E
 MATERIAL : Stainless Steel
 FINISH : Plain
 FOR SHAFT DIA : 4mm
 PACKAGE QUANTITY : 10

COMPONENT		Retaining Ring	
5DA34		UNIT	
		MM	
		SHEET	
E Retain Ring,Ext,Dia 4mm,PK10		1 of 1	



100 Grainger Parkway, Lake Forest, Illinois 60045-5201
 1-(800) GRAINGER, 1-(800) 472-4643, (847) 535-1000
 www.grainger.com

This file and any associated information and specifications are provided for reference and evaluation purposes only, and is subject to change without notice. Grainger makes no representations, warranties or guarantees as to the appropriateness, accuracy, completeness, or suitability for any purpose, of the file, information or specifications. You are solely responsible for the use of the file, information or specifications.

This drawing is the property of GRAINGER. It contains confidential, proprietary information that is GRAINGER property. Do not disclose to or duplicate for others except as authorized by GRAINGER.

SCALE 10.75