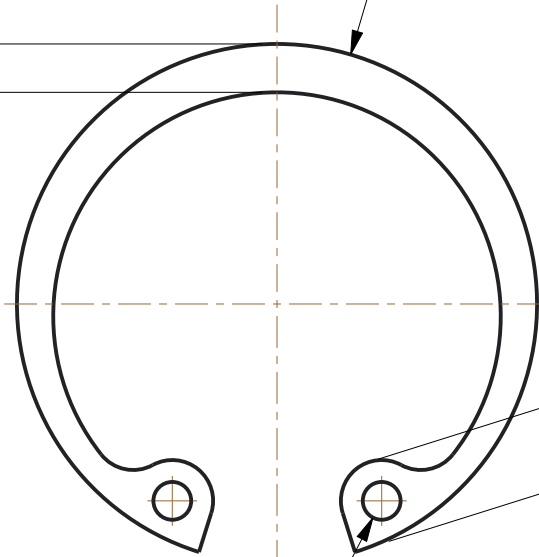


3.20  
Max. Sec.

∅ 34.40  
Free O.D.



∅ 2.50  
Hole Dia.

5.40  
Lug Ht.

1.20  
Thickness



**NOTES:**

ITEM : Retaining Ring  
 TYPE : Internal  
 MATERIAL : Stainless Steel  
 FINISH : Plain  
 FOR BORE DIA : 32mm  
 PACKAGE QUANTITY : 1



100 Grainger Parkway, Lake Forest, Illinois 60045-5201  
 1-(800) GRAINGER, 1-(800) 472-4643, (847) 535-1000  
 www.grainger.com

This file and any associated information and specifications are provided for reference and evaluation purposes only, and is subject to change without notice. Grainger makes no representations, warranties or guarantees as to the appropriateness, accuracy, completeness, or suitability for any purpose, of the file, information or specifications. You are solely responsible for the use of the file, information or specifications.

This drawing is the property of GRAINGER. It contains confidential, proprietary information that is GRAINGER property. Do not disclose to or duplicate for others except as authorized by GRAINGER.

SCALE 2.00

COMPONENT		Retaining Ring	
5DA14		UNIT	MM
		SHEET	1 of 1
		Retaining Ring,Int,Bore Dia 32mm	