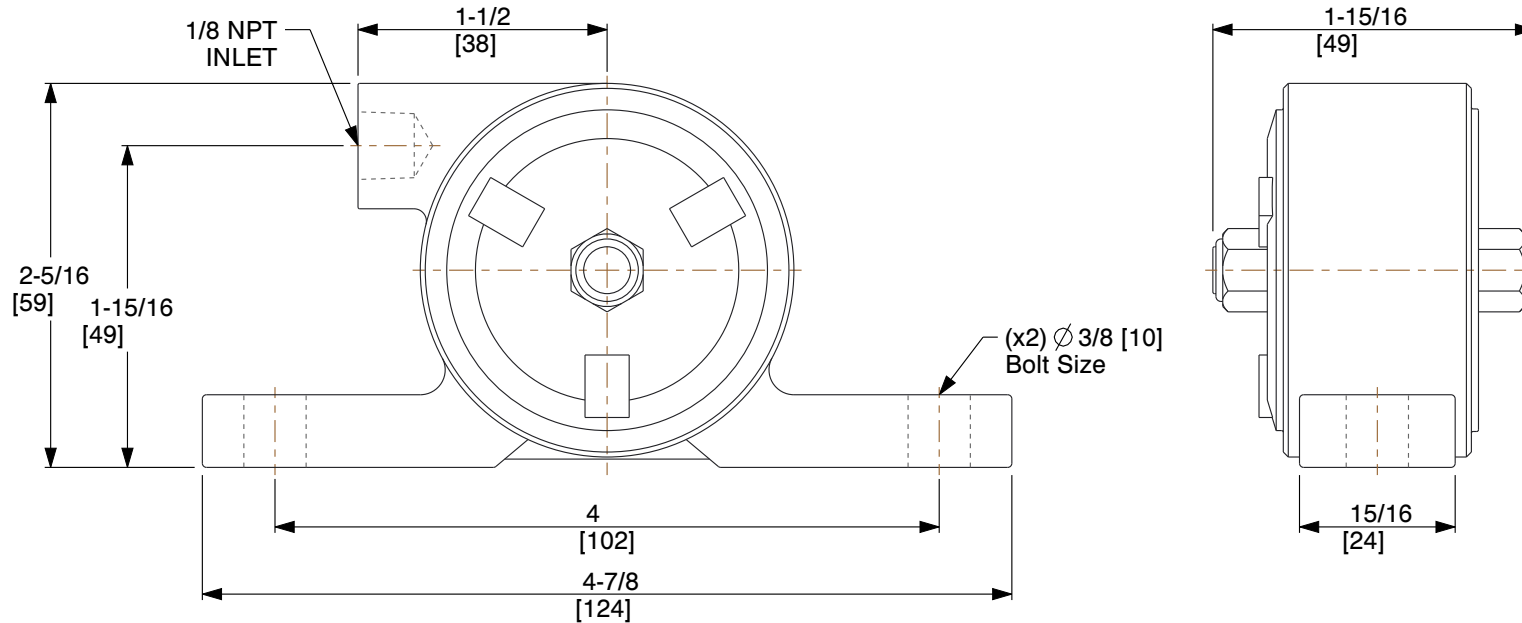
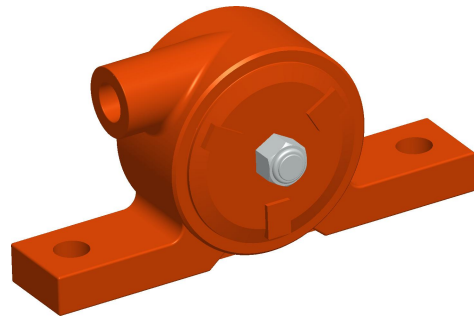


Force Rating	80 lb.	Max. Pressure	60 psi
Bin Weight Capacity	800 lb.	Max. Temp.	350 °F
Speed @ 80 psi	-	Speed @ 60 psi	19,000 VPM
dB @ 80 psi	-	dB @ 60 psi	72
CFM @ 80 psi	-	CFM @ 60 psi	7.5



NOTES:

1. MUFFLER: Included
2. DUTY: Continuous
3. VIBRATOR TYPE: Ball
4. MOUNTING: Universal
5. BALL MATERIAL: Hardened Steel
6. MOUNTING PLATE: Sold Separately
7. HOUSING MATERIAL: Painted Cast Iron

COMPONENT	Pneumatic Vibrator
-----------	--------------------



100 Grainger Parkway, Lake Forest, Illinois 60045-5201
 1-(800) GRAINGER, 1-(800) 472-4643, (847) 535-1000
 www.grainger.com

This file and any associated information and specifications are provided for reference and evaluation purposes only, and is subject to change without notice. Grainger makes no representations, warranties or guarantees as to the appropriateness, accuracy, completeness, or suitability for any purpose, of the file, information or specifications. You are solely responsible for the use of the file, information or specifications.

This drawing is the property of GRAINGER. It contains confidential, proprietary information that is GRAINGER property. Do not disclose to or duplicate for others except as authorized by GRAINGER.

SCALE 0.865

4HV28 PNEUMATIC VIBRATOR, 80 LB, 19,000 VPM, 60 PSI	UNIT
	INCH [MM]
	SHEET
	1 of 1