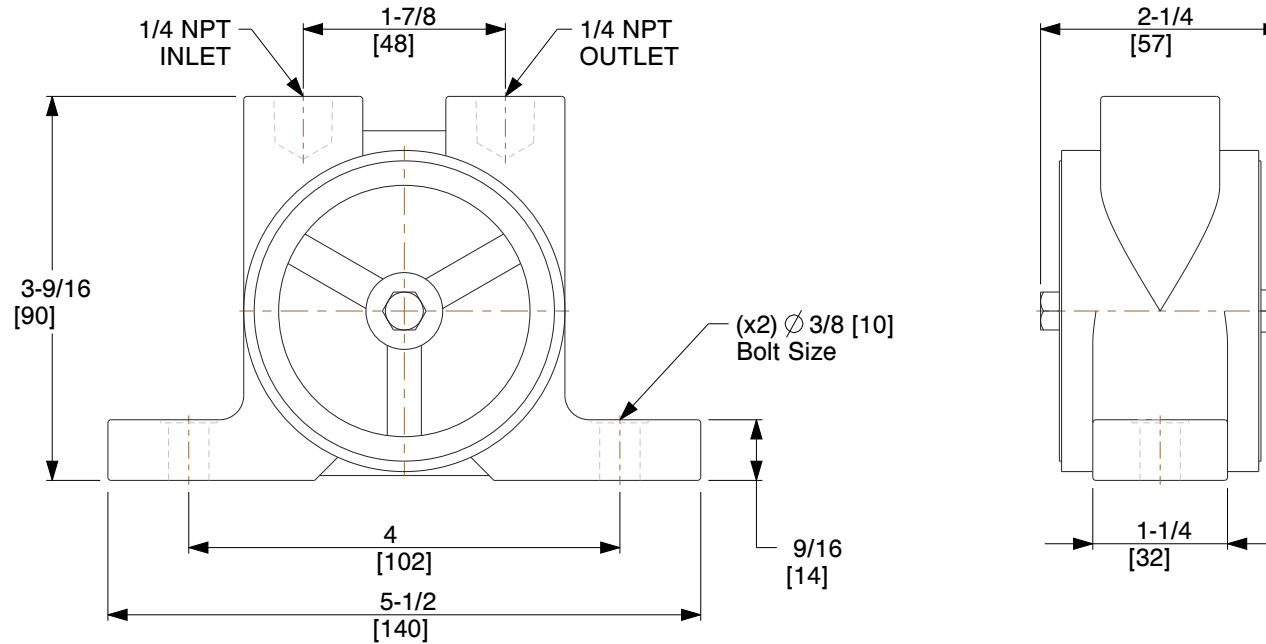


Force Rating	260 lb.	Max. Pressure	80 psi
Bin Weight Capacity	2600 lb.	Max. Temp.	350 °F
Speed @ 80 psi	16,000 VPM	Speed @ 60 psi	14,000 VPM
dB @ 80 psi	77	dB @ 60 psi	77
CFM @ 80 psi	11	CFM @ 60 psi	10



NOTES:

1. MUFFLER: 1A326
2. DUTY: Continuous
3. VIBRATOR TYPE: Ball
4. MOUNTING: Universal
5. HOUSING MATERIAL: Cast Iron
6. BALL MATERIAL: Hardened Steel
7. MOUNTING PLATE: Sold Separately

COMPONENT	Pneumatic Vibrator
------------------	--------------------



100 Grainger Parkway, Lake Forest, Illinois 60045-5201
 1-(800) GRAINGER, 1-(800) 472-4643, (847) 535-1000
 www.grainger.com

This file and any associated information and specifications are provided for reference and evaluation purposes only, and is subject to change without notice. Grainger makes no representations, warranties or guarantees as to the appropriateness, accuracy, completeness, or suitability for any purpose, of the file, information or specifications. You are solely responsible for the use of the file, information or specifications.

This drawing is the property of GRAINGER. It contains confidential, proprietary information that is GRAINGER property. Do not disclose to or duplicate for others except as authorized by GRAINGER.

SCALE 0.561

4HT91 PNEUMATIC VIBRATOR, 260 LB, 14,000 VPM, 80 PSI

UNIT
INCH [MM]
SHEET
1 of 1