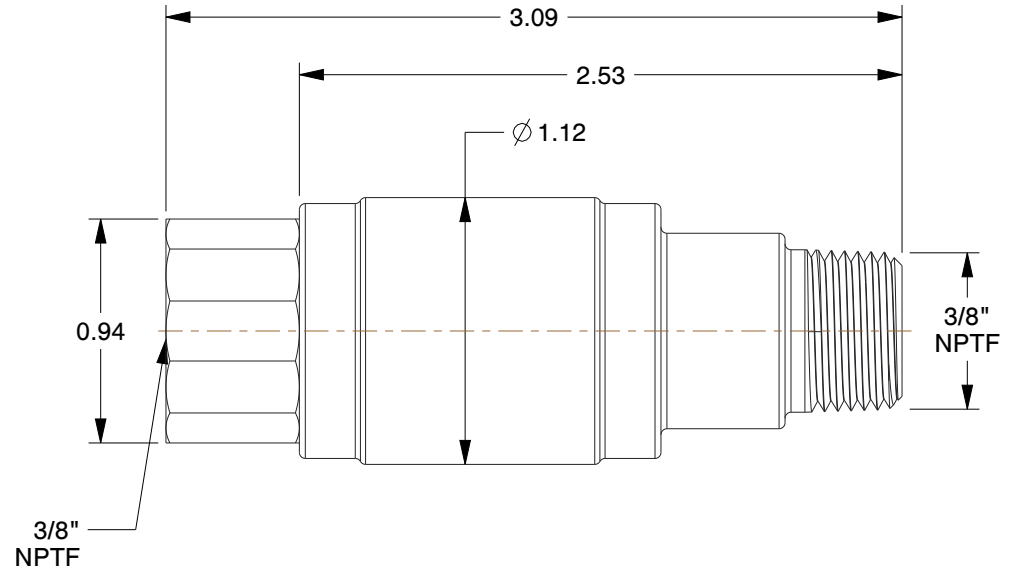
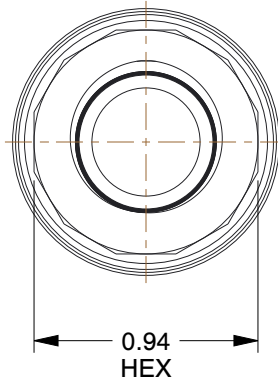




Max. Pressure	10,000 psi	For Use With	Hydraulic Systems
Connection Type	NPTF	Coupler Finish	Chrome Plated
Coupler Flow Rate	2.0 gpm	Sleeve Material	Steel
Coupler Thread Size	3/8"-18	Locking Mechanism	Threaded
Coupler Body Material	Steel	Coupler Connection Type	NPTF



**NOTES:**

1. SERIES: SPEE-D
2. SEAL MATERIAL: Neoprene
3. ITEM: Hydraulic Coupler Set
4. VALVE DESIGN: Regular Speed-D
5. STANDARDS: HTMA Recognized
6. INCLUDES: Female steel dust cap
7. COUPLER INTERCHANGE TYPE: SPEE-D
8. QUICK COUPLER TYPE: Hydraulic Coupler Set

<b>COMPONENT</b>	Hydraulic Quick Couplers
------------------	--------------------------



100 Grainger Parkway, Lake Forest, Illinois 60045-5201  
 1-(800) GRAINGER, 1-(800) 472-4643, (847) 535-1000  
 www.grainger.com

This file and any associated information and specifications are provided for reference and evaluation purposes only, and is subject to change without notice. Grainger makes no representations, warranties or guarantees as to the appropriateness, accuracy, completeness, or suitability for any purpose, of the file, information or specifications. You are solely responsible for the use of the file, information or specifications.

This drawing is the property of GRAINGER. It contains confidential, proprietary information that is GRAINGER property. Do not disclose to or duplicate for others except as authorized by GRAINGER.

**SCALE** 1.24

<b>46C607</b>  Coupler Set, 3/8-18, Body, Steel	<b>UNIT</b>
	INCH
	<b>SHEET</b>
	1 of 1