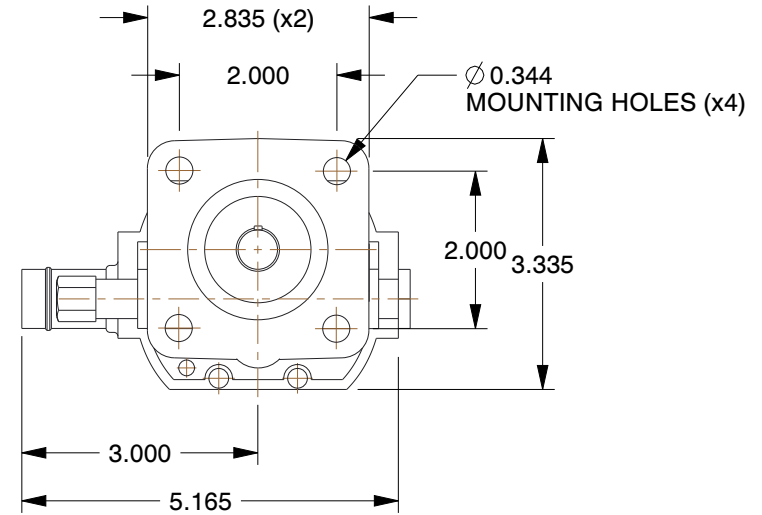
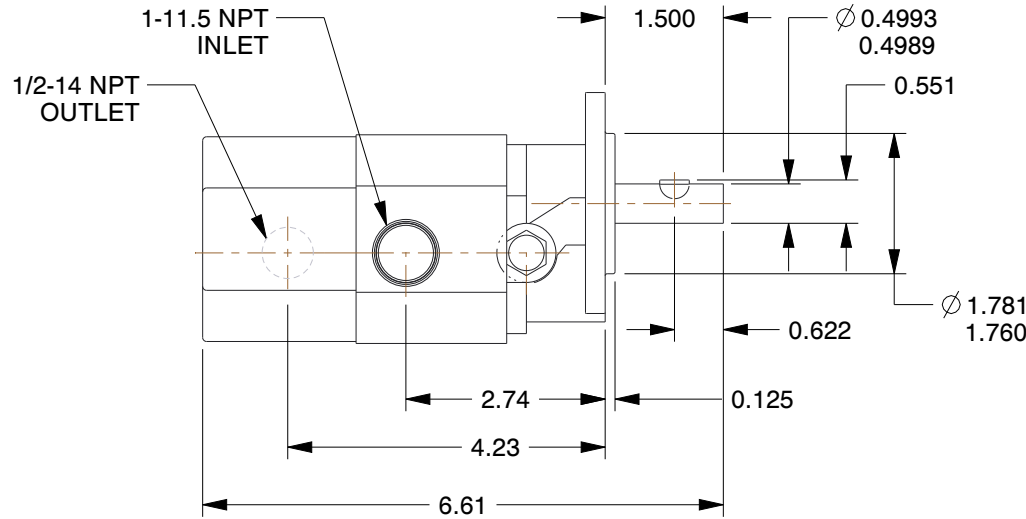


Item	Hydraulic Gear Pump	Ports (Outlet)	1/2" NPT
Type	Two Stage	Mounting Flange	4 Bolt
Rotation	Clockwise	Nominal Flow (GPM)	11
Input RPM	4000	Max. PSI 1st Stage	3000
Ports (Inlet)	1" Tube	Max. PSI 2nd Stage	900



**NOTES:**

1. DRIVE: External
2. HP REQUIRED: 6
3. DRIVE SHAFT (IN.): 1/2
4. TRANSMISSION: 2 Stage
5. APPLICATION: For Use at Elevated Pressures
6. UNLOADING VALVE PRESET PRESSURE (PSI): 600 to 700
7. DISPLACEMENT @ HIGH PRESSURE (CUBIC INCHES/REV.): 0.219
8. DISPLACEMENT @ LOW PRESSURE (CUBIC INCHES/REV.): 0.537

COMPONENT	Hydraulic Two Stage Gear Pumps
-----------	--------------------------------



100 Grainger Parkway, Lake Forest, Illinois 60045-5201  
 1-(800) GRAINGER, 1-(800) 472-4643, (847) 535-1000  
 www.grainger.com

This file and any associated information and specifications are provided for reference and evaluation purposes only, and is subject to change without notice. Grainger makes no representations, warranties or guarantees as to the appropriateness, accuracy, completeness, or suitability for any purpose, of the file, information or specifications. You are solely responsible for the use of the file, information or specifications.

This drawing is the property of GRAINGER. It contains confidential, proprietary information that is GRAINGER property. Do not disclose to or duplicate for others except as authorized by GRAINGER.

SCALE 0.41

**46C517**  
 Hydraulic Gear Pump, 11 GPM

UNIT	INCH
SHEET	1 of 1