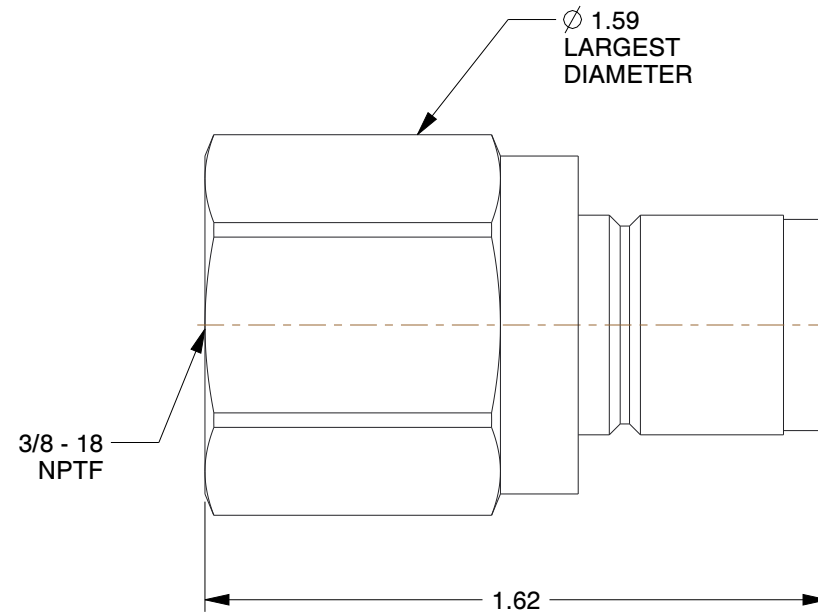
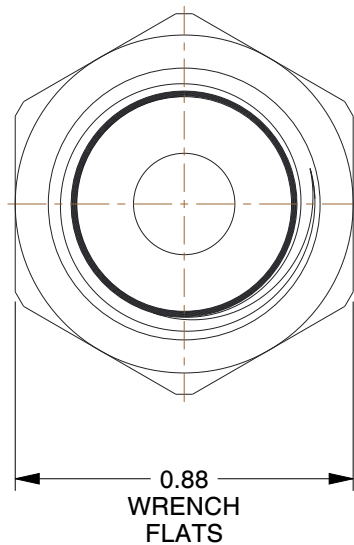


Series	Parker ST Series	Max. Pressure	5500 psi
Connection Type	FNPT	Coupler Finish	Plain
Coupler Body Size	3/8"	Bearing Material	Stainless Steel
Coupler Flow Rate	50.0 gpm	Locking Mechanism	Ball
Coupler Thread Size	3/8"-18	Coupler Body Material	303 Stainless Steel
Coupler Interchange Type	ST	Operating Temp. Range	-40° to 250°F



**NOTES:**

1. ITEM: Hydraulic Coupler Nipple
2. FOR USE WITH: Parker ST Series
3. PARKER INTERCHANGE: BST-N3
4. QUICK COUPLER TYPE: Hydraulic Coupler Nipple

<b>COMPONENT</b>	Hydraulic Quick Couplers
------------------	--------------------------



100 Grainger Parkway, Lake Forest, Illinois 60045-5201  
 1-(800) GRAINGER, 1-(800) 472-4643, (847) 535-1000  
 www.grainger.com

This file and any associated information and specifications are provided for reference and evaluation purposes only, and is subject to change without notice. Grainger makes no representations, warranties or guarantees as to the appropriateness, accuracy, completeness, or suitability for any purpose, of the file, information or specifications. You are solely responsible for the use of the file, information or specifications.

This drawing is the property of GRAINGER. It contains confidential, proprietary information that is GRAINGER property. Do not disclose to or duplicate for others except as authorized by GRAINGER.

**SCALE** 2.00

Nipple, 3/8-18, 3/8 In. Body, 303 SS

**31A992**

<b>UNIT</b>	INCH
<b>SHEET</b>	1 of 1