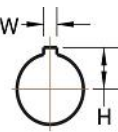
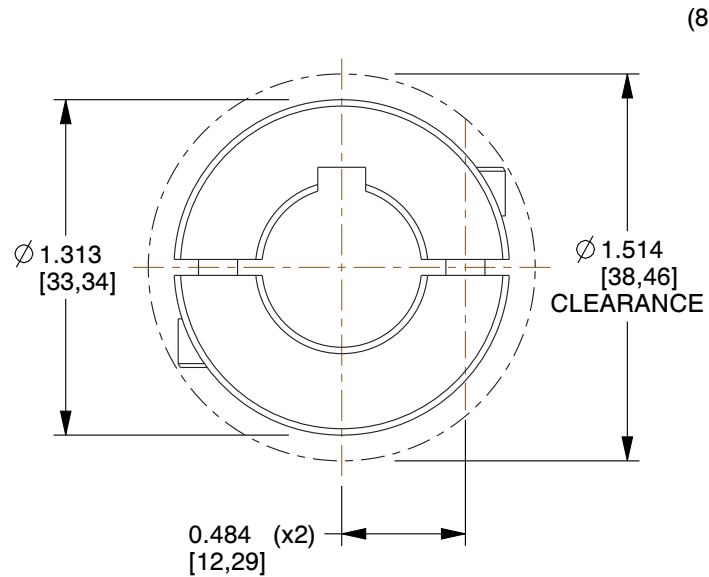
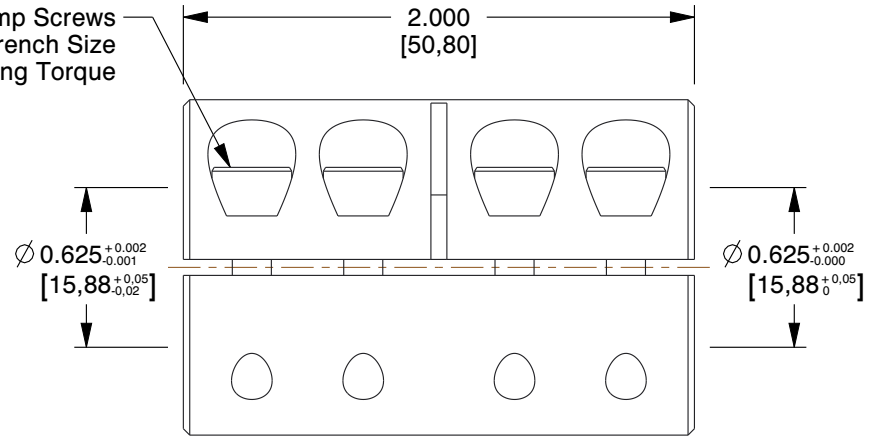


KEYWAY DETAILS

	Left Keyway		Right Keyway	
	W (in) Width	H (in) Height	W (in) Width	H (in) Height
	0.188	0.406	0.188	0.406

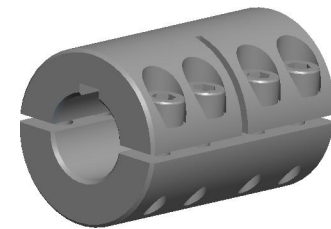


(8) #10-32 Forged Clamp Screws
 5/32 in Hex Wrench Size
 76 lb-in Seating Torque



NOTES:

1. Conflict Minerals, RoHS2 and REACH compliant
2. Weight : 0.531 lbs
3. Material : 1215 Carbon Steel
4. Black Oxide
5. MPN : Ruland SPC-10-10-F
6. All Drawing Dimensions are in Inches [in mm]



COMPONENT	Rigid Shaft Coupling	
<h1>2APB3</h1> <p>Rigid Shaft Coupling, Set Screw, 5/8in.</p>	UNIT	INCH
	SHEET	1 of 1
	SCALE	1.33



100 Grainger Parkway, Lake Forest, Illinois 60045-5201
 1-(800) GRAINGER, 1-(800) 472-4643, (847) 535-1000
 www.grainger.com

This file and any associated information and specifications are provided for reference and evaluation purposes only, and is subject to change without notice. Grainger makes no representations, warranties or guarantees as to the appropriateness, accuracy, completeness, or suitability for any purpose, of the file, information or specifications. You are solely responsible for the use of the file, information or specifications.

This drawing is the property of GRAINGER. It contains confidential, proprietary information that is GRAINGER property. Do not disclose to or duplicate for others except as authorized by GRAINGER.