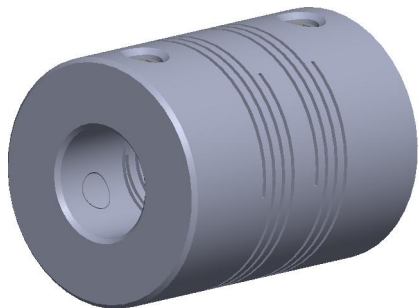
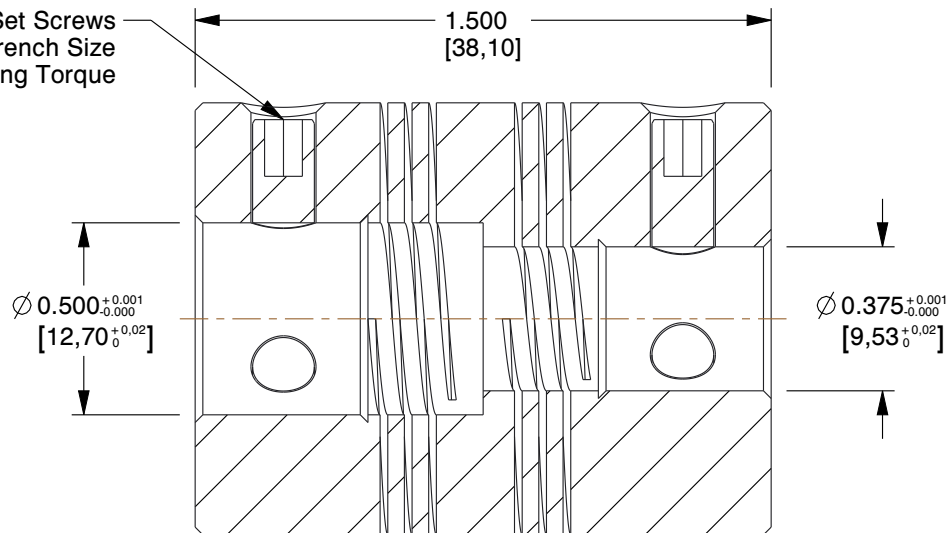


(2) M5 Forged Set Screws
2.5 mm Hex Wrench Size
4 Nm Seating Torque



NOTES:

1. Conflict Minerals, RoHS2 and REACH compliant
2. Weight : 0.197 lbs
3. Material : 7075-T651 Aluminum
4. Bright Finish
5. MPN : Ruland PSR18-8-6-A
6. All Drawing Dimensions are in Inches [in mm]

COMPONENT	Motion Control Couplings
------------------	--------------------------

GRAINGER
100 Grainger Parkway, Lake Forest, Illinois 60045-5201
1-(800) GRAINGER, 1-(800) 472-4643, (847) 535-1000
www.grainger.com

This file and any associated information and specifications are provided for reference and evaluation purposes only, and is subject to change without notice. Grainger makes no representations, warranties or guarantees as to the appropriateness, accuracy, completeness, or suitability for any purpose, of the file, information or specifications. You are solely responsible for the use of the file, information or specifications.

This drawing is the property of GRAINGER. It contains confidential, proprietary information that is GRAINGER property. Do not disclose to or duplicate for others except as authorized by GRAINGER.

SCALE 2.00

2AME3
Coupling, 4 Beam, Bore 1/2 x 3/8 In

UNIT
INCH
SHEET
1 of 1