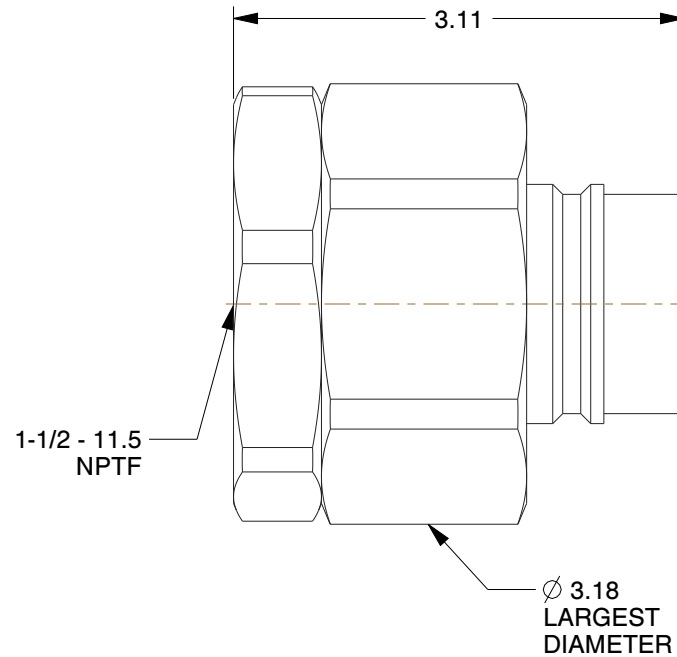
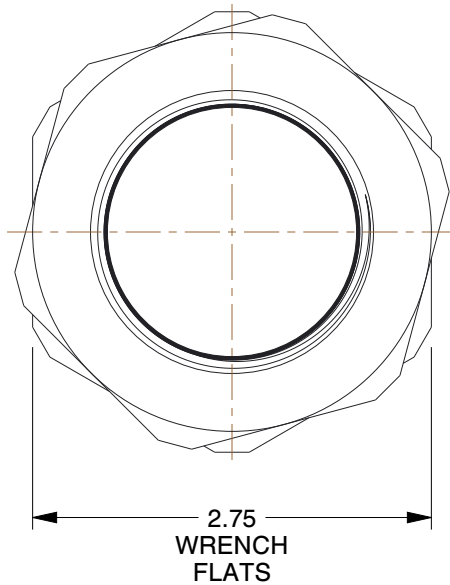


Series	H	Shut Off	Yes
Sleeve Material	Steel	Valve Design	Poppet
Connection Type	NPT	Seal Material	Buna
Coupler Body Size	1-1/2"	Max. Pressure	1500 psi
Coupler Flow Rate	72.0 gpm	Coupler Finish	Zinc Plated
Coupler Thread Size	1-1/2"-11-1/2	Locking Mechanism	Ball
Coupler Interchange Type	H	Coupler Body Material	Steel



NOTES:

1. ITEM: Hydraulic Coupler Nipple
2. OPERATING TEMP. RANGE: -40° to 200°F
3. QUICK COUPLER TYPE: Hydraulic Coupler Nipple

COMPONENT	Hydraulic Quick Couplers
------------------	--------------------------



100 Grainger Parkway, Lake Forest, Illinois 60045-5201
 1-(800) GRAINGER, 1-(800) 472-4643, (847) 535-1000
 www.grainger.com

This file and any associated information and specifications are provided for reference and evaluation purposes only, and is subject to change without notice. Grainger makes no representations, warranties or guarantees as to the appropriateness, accuracy, completeness, or suitability for any purpose, of the file, information or specifications. You are solely responsible for the use of the file, information or specifications.

This drawing is the property of GRAINGER. It contains confidential, proprietary information that is GRAINGER property. Do not disclose to or duplicate for others except as authorized by GRAINGER.

SCALE 0.76

20LJ19
Nipple, 1-1/2-11-1/2, 1-1/2 In. Body, Steel

UNIT
INCH
SHEET
1 of 1