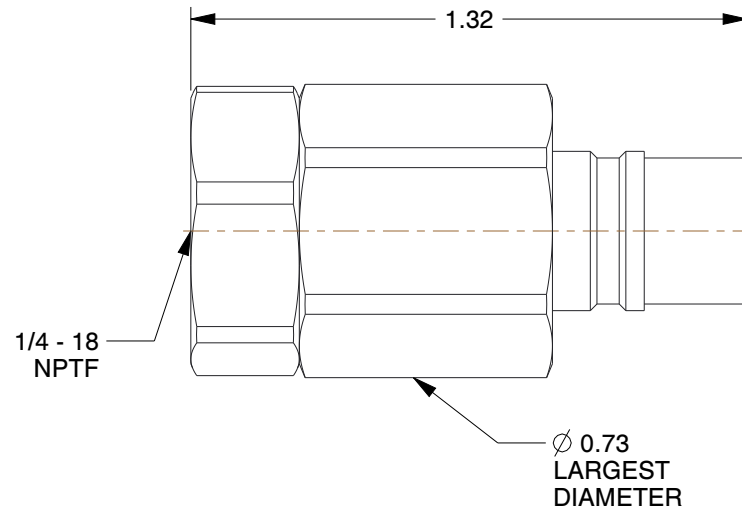
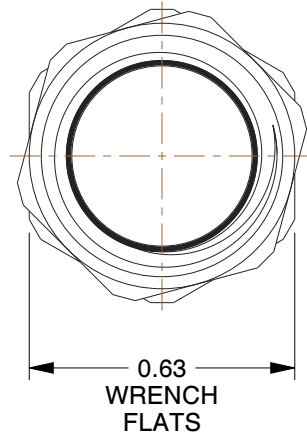


Series	PH	Shut Off	No
Sleeve Material	316 Stainless Steel	Valve Design	Poppet
Connection Type	FNPS	Seal Material	Buna
Coupler Body Size	1/4"	Max. Pressure	10,000 psi
Coupler Flow Rate	3.8 gpm	Coupler Finish	Plain
Coupler Thread Size	1/4"-18	Locking Mechanism	Ball
Coupler Interchange Type	PH	Coupler Body Material	316 Stainless Steel



NOTES:

1. ITEM: Hydraulic Coupler Nipple
2. OPERATING TEMP. RANGE: -40° to 200°F
3. QUICK COUPLER TYPE: Hydraulic Coupler Nipple

COMPONENT	Hydraulic Quick Couplers
-----------	--------------------------



100 Grainger Parkway, Lake Forest, Illinois 60045-5201
1-(800) GRAINGER, 1-(800) 472-4643, (847) 535-1000
www.grainger.com

This file and any associated information and specifications are provided for reference and evaluation purposes only, and is subject to change without notice. Grainger makes no representations, warranties or guarantees as to the appropriateness, accuracy, completeness, or suitability for any purpose, of the file, information or specifications. You are solely responsible for the use of the file, information or specifications.

This drawing is the property of GRAINGER. It contains confidential, proprietary information that is GRAINGER property. Do not disclose to or duplicate for others except as authorized by GRAINGER.

SCALE 2.20

20LG40
Nipple, 1/4-18, 1/4 In. Body, 316 SS

UNIT	INCH
SHEET	1 of 1