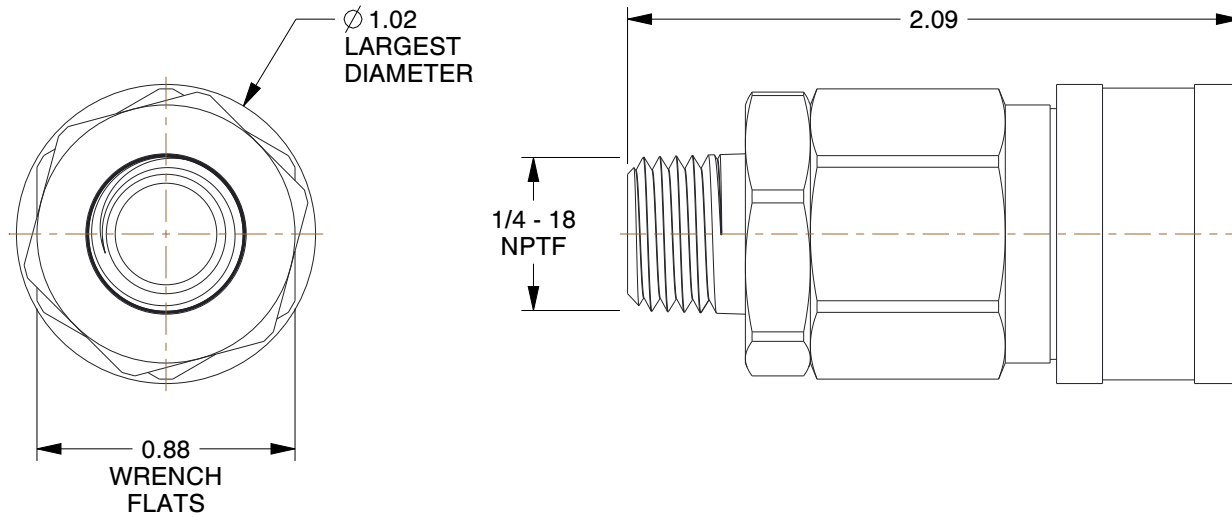


| | | | |
|--------------------------|----------|-----------------------|----------|
| Series | H | Shut Off | Yes |
| Sleeve Material | Brass | Valve Design | Poppet |
| Connection Type | MNPT | Seal Material | Buna |
| Coupler Body Size | 1/4" | Max. Pressure | 2250 psi |
| Coupler Flow Rate | 35.0 gpm | Coupler Finish | Plain |
| Coupler Thread Size | 1/4"-18 | Locking Mechanism | Ball |
| Coupler Interchange Type | H | Coupler Body Material | Brass |



NOTES:

1. SEAL TYPE: Buna N
2. ITEM: Hydraulic Coupler Body
3. FOR USE WITH: Rubber Hose
4. BEARING MATERIAL: 440 Stainless Steel
5. OPERATING TEMP. RANGE: -40° to 200°F
6. QUICK COUPLER TYPE: Hydraulic Coupler Body

| | |
|-----------|--------------------------|
| COMPONENT | Hydraulic Quick Couplers |
|-----------|--------------------------|



100 Grainger Parkway, Lake Forest, Illinois 60045-5201
 1-(800) GRAINGER, 1-(800) 472-4643, (847) 535-1000
 www.grainger.com

This file and any associated information and specifications are provided for reference and evaluation purposes only, and is subject to change without notice. Grainger makes no representations, warranties or guarantees as to the appropriateness, accuracy, completeness, or suitability for any purpose, of the file, information or specifications. You are solely responsible for the use of the file, information or specifications.

This drawing is the property of GRAINGER. It contains confidential, proprietary information that is GRAINGER property. Do not disclose to or duplicate for others except as authorized by GRAINGER.

SCALE 1.53

| | |
|---|--------|
| <p>20LF26</p> <p>Coupler Body, 1/4-18, Body, Brass</p> | UNIT |
| | INCH |
| | SHEET |
| | 1 of 1 |