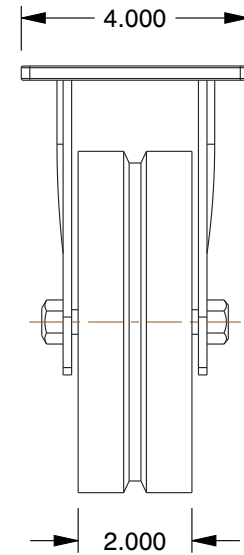
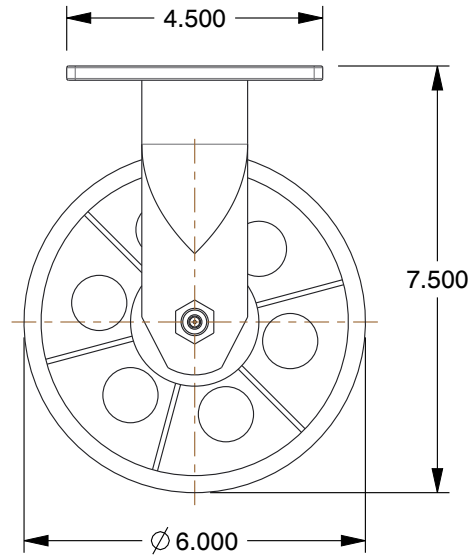
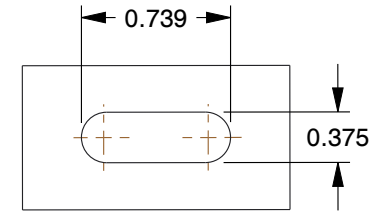


MOUNTING HOLE DETAILS



NOTES:

1. CASTER SUB-TYPE : Rigid
2. CASTER WHEEL SHAPE : V-Groove
3. CASTER WHEEL BEARINGS : Roller
4. CASTER FRAME MATERIAL : Steel
5. CASTER CORE MATERIAL : Cast Iron
6. CASTER WHEEL/TREAD MATERIAL : Cast Iron
7. FRAME FINISH : Zinc Plated
8. LOAD RATING : 1000 lb.
9. CASTER LOAD RATING RANGE : Medium-Duty
10. CASTER PLATE HOLE PATTERN : B

COMPONENT	Plate Caster
-----------	--------------



100 Grainger Parkway, Lake Forest, Illinois 60045-5201
 1-(800) GRAINGER, 1-(800) 472-4643, (847) 535-1000
 www.grainger.com

This file and any associated information and specifications are provided for reference and evaluation purposes only, and is subject to change without notice. Grainger makes no representations, warranties or guarantees as to the appropriateness, accuracy, completeness, or suitability for any purpose, of the file, information or specifications. You are solely responsible for the use of the file, information or specifications.

This drawing is the property of GRAINGER. It contains confidential, proprietary information that is GRAINGER property. Do not disclose to or duplicate for others except as authorized by GRAINGER.

SCALE	0.30
-------	------

<h1>1NWC7</h1> <p>V-Groove Rgd Cster, Cast Iron, 6 in., 1000 lb.</p>
--

UNIT	INCH
SHEET	1 of 1