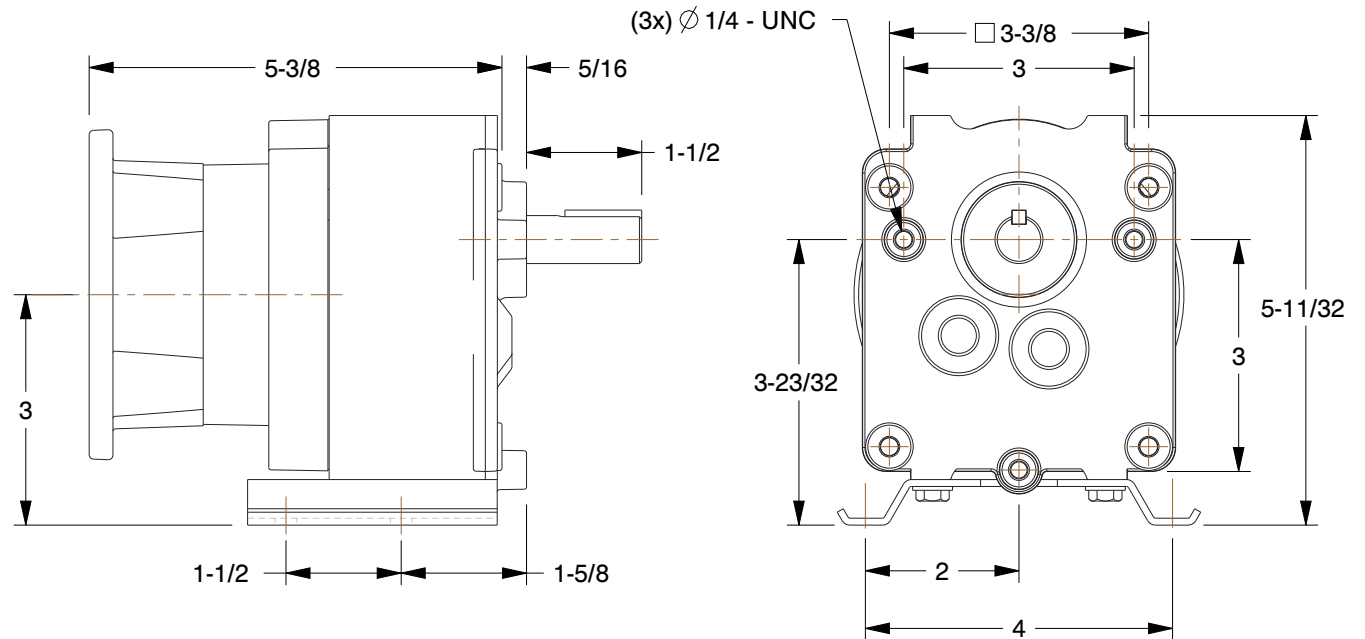
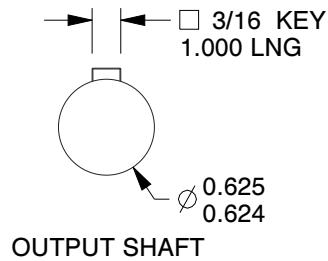


Speed Reducer Type	C-Face	Max. Output Torque (in-lb)	295
Shaft Orientation	Parallel	Overhung Load (lb.)	175
NEMA/IEC Frame	42CZ/48	Nominal Output RPM	49
Nominal Ratio	35.8:1	Number of Stages	3
Seal Type	Spring-Loaded Lip	Max. Input HP	1/4
Duty	Continuous	Input RPM	1725



NOTES:

1. BEARINGS: Ball
2. MOUNTING: Any Position
3. FINISH: Gloss Powder Coated
4. LUBRICATION: Heavy Duty Oil
5. GEAR TYPE: Helical First Stage
6. SHAFT OUTPUT/TYPE: Single/Solid
7. PINION MATERIAL: Hardened Steel
8. HOUSING MATERIAL: Die Cast Aluminum
9. OUTPUT TORQUE (in.-lb.)
 - @ 1/8 HP 145
 - @ 1/6 HP 195
 - @ 1/4 HP 295

COMPONENT	Speed Reducer
-----------	---------------



100 Grainger Parkway, Lake Forest, Illinois 60045-5201
1-(800) GRAINGER, 1-(800) 472-4643, (847) 535-1000
www.grainger.com

This file and any associated information and specifications are provided for reference and evaluation purposes only, and is subject to change without notice. Grainger makes no representations, warranties or guarantees as to the appropriateness, accuracy, completeness, or suitability for any purpose, of the file, information or specifications. You are solely responsible for the use of the file, information or specifications.

This drawing is the property of GRAINGER. It contains confidential, proprietary information that is GRAINGER property. Do not disclose to or duplicate for others except as authorized by GRAINGER.

SCALE 0.40

Speed Reducer, C-Face, 42CZ/48, 35.8:1

1L514

UNIT
INCH
SHEET

1 of 1