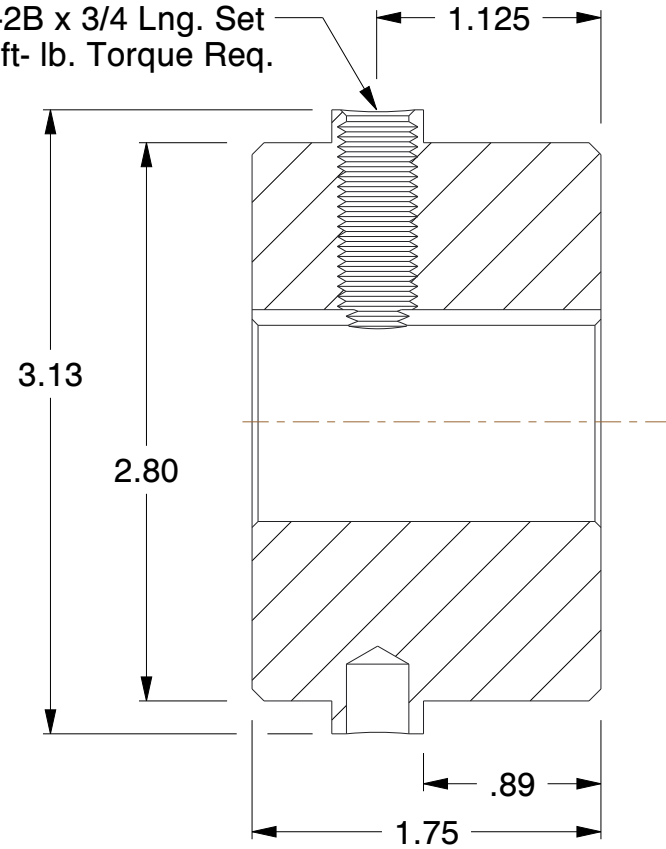


3/8-16 UNC-2B x 3/4 Lng. Set Screw, 23 ft- lb. Torque Req.



NOTES:

1. WEIGHT: 2.5 Lbs.
2. MAXIMUM RPM: 7500
3. MATERIAL: Low Carbon Steel
4. KEYSEAT: 1/4 in. x 1/8 in.
5. SPACER REQUIRED: Size WE5 x Bore
6. TORQUE RATING: 925 in-lb.
7. MAXIMUM ANGULAR MISALIGNMENT: 4°

COMPONENT	Tire Coupling Hub
------------------	-------------------



100 Grainger Parkway, Lake Forest, Illinois 60045-5201
 1-(800) GRAINGER, 1-(800) 472-4643, (847) 535-1000
 www.grainger.com

This file and any associated information and specifications are provided for reference and evaluation purposes only, and is subject to change without notice. Grainger makes no representations, warranties or guarantees as to the appropriateness, accuracy, completeness, or suitability for any purpose, of the file, information or specifications. You are solely responsible for the use of the file, information or specifications.

This drawing is the property of GRAINGER. It contains confidential, proprietary information that is GRAINGER property. Do not disclose to or duplicate for others except as authorized by GRAINGER.

SCALE	1.00
--------------	------

<h1 style="margin: 0;">15E651</h1> <p style="margin: 0;">WE5 Dura-Flex BTS Hubs</p>

UNIT	INCH
SHEET	1 of 1