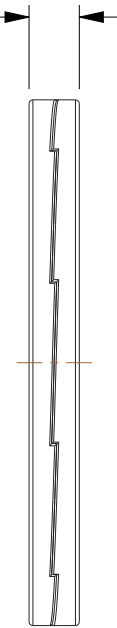
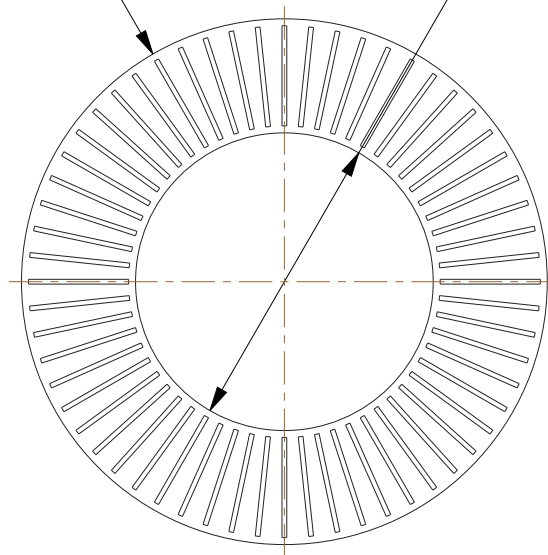


Ø 1-23/64
O.D

Ø 49/64
I.D

0.130±0.010
Thickness



NOTES:

1. MATERIAL : EN 1.7182 Carbon Steel
2. FINISH : Delta Protect
3. FITS BOLT SIZES : M18
4. HARDNESS : Min. 46 HRC

COMPONENT	Lock Washer
------------------	-------------



100 Grainger Parkway, Lake Forest, Illinois 60045-5201
1-(800) GRAINGER, 1-(800) 472-4643, (847) 535-1000
www.grainger.com

This file and any associated information and specifications are provided for reference and evaluation purposes only, and is subject to change without notice. Grainger makes no representations, warranties or guarantees as to the appropriateness, accuracy, completeness, or suitability for any purpose, of the file, information or specifications. You are solely responsible for the use of the file, information or specifications.

This drawing is the property of GRAINGER. It contains confidential, proprietary information that is GRAINGER property. Do not disclose to or duplicate for others except as authorized by GRAINGER.

SCALE 2.01

12W464

Lock Washer, Bolt M18, Steel, PK2

UNIT	INCH
SHEET	1 of 1