

Product information presented here reflects conditions at time of publication. Consult factory regarding discrepancies or inconsistencies.

MAIL TO: P.O. BOX 16347 • Louisville, KY 40256-0347
 SHIP TO: 3649 Cane Run Road • Louisville, KY 40211-1961
 (502) 778-2731 • 1 (800) 928-PUMP • FAX (502) 774-3624

visit our web site:
www.zoeller.com

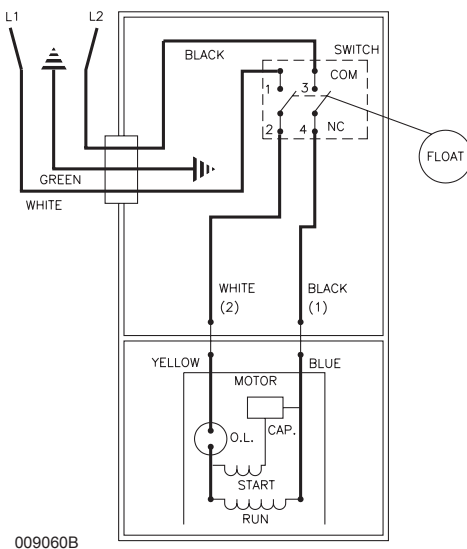
REPLACEMENT PARTS LIST FOR MODELS:

- M264 AUTOMATIC 115V**
- N264 NONAUTOMATIC 115V**
- WM264 AUTOMATIC w/wired float switch 115V**
- D264 AUTOMATIC 230V**
- E264 NONAUTOMATIC 230V**

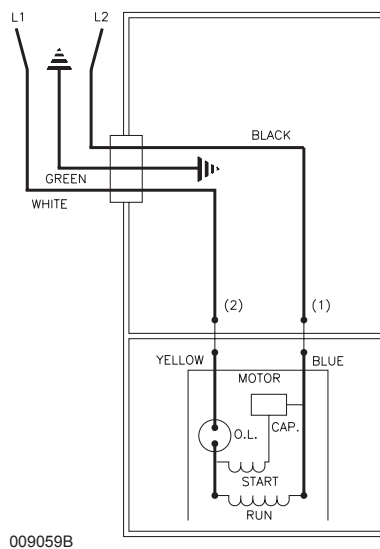
TO ORDER REPLACEMENT PARTS:

PLEASE FURNISH THE FOLLOWING INFORMATION:

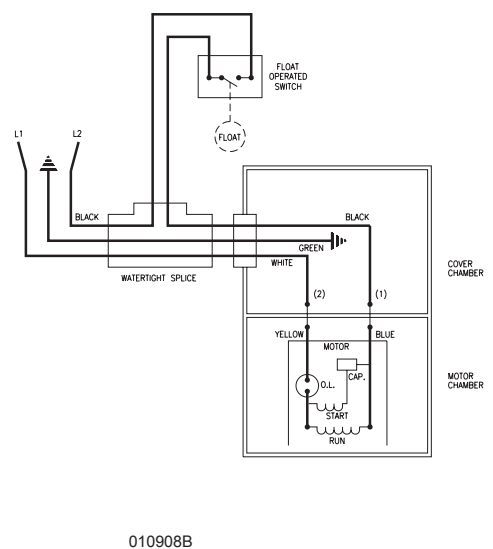
- Model Number.
- Part Number of Pump.
- Part Number and Description of part.



WIRING DIAGRAM FOR MODELS
 "M264-A" and "D264-A"
 6/96 thru Current

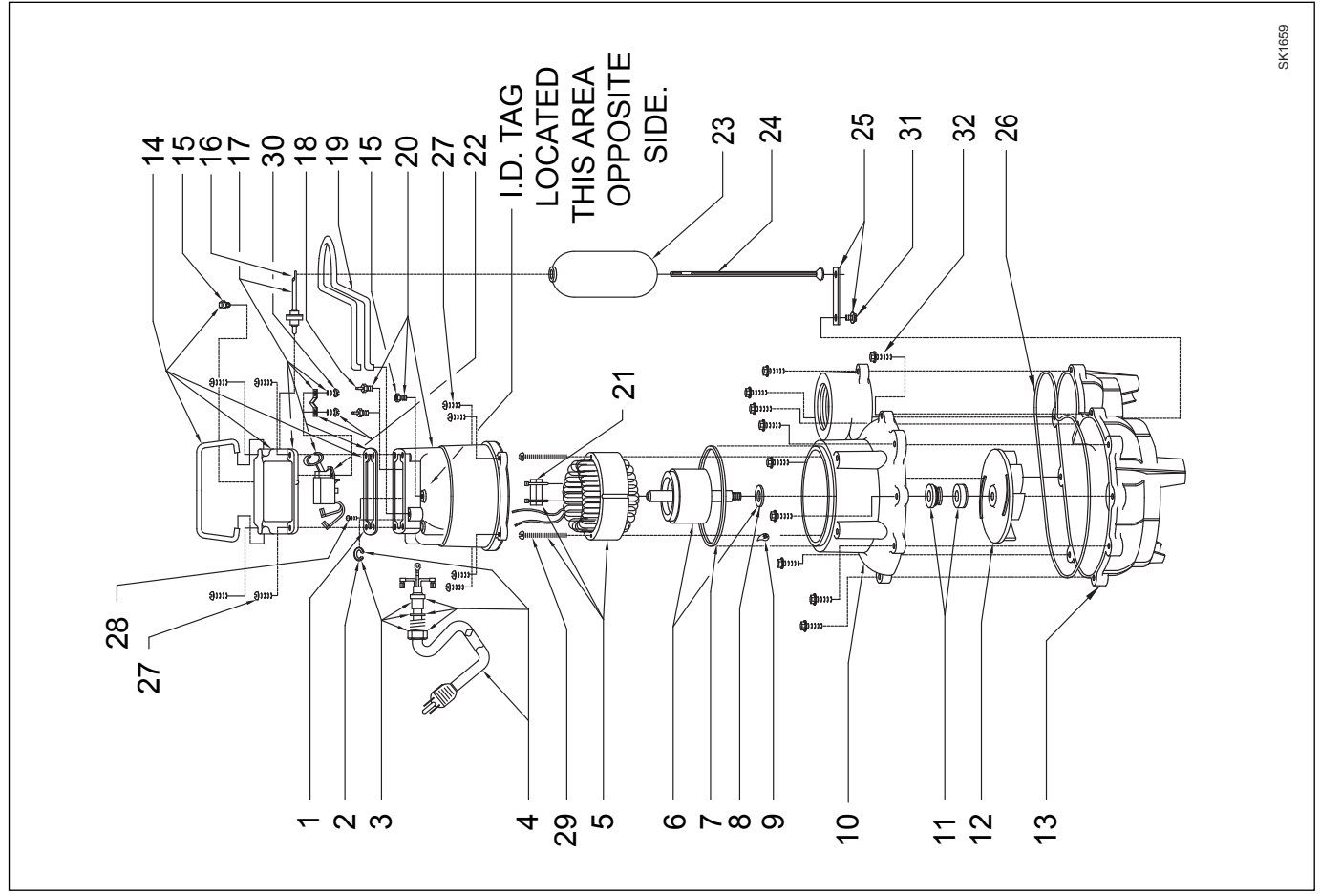


WIRING DIAGRAM FOR MODELS
 "N264-A" and "E264-A"
 6/96 thru Current



WIRING DIAGRAM FOR MODEL
 "WM264-A"
 6/96 thru Current

REPLACEMENT PARTS ILLUSTRATION FOR MODELS "M264" and "D264"



SK1659

REPLACEMENT PARTS LIST FOR MODELS "M264" and "D264"

REF. NO.	DESCRIPTION	MODELS:			QTY	NOTES	M264-A		M264-B		D264-A		D264-B	
		6/86 thru 7/09	8/09 thru Current	6/06 thru 7/08			8/09 thru Current	6/06 thru 7/08	8/09 thru Current					
1	GASKET, CASE/COVER	034046	034046	034046	1				034046	034046			034046	034046
2	CLAMP, STRAIN RELIEF	004200	004200	004200	1				004200	004200			004200	004200
3	SEAL, CORD-ASM "264"	004322	004322	004322	1	1			004322	004322			004322	004322
4	CORD TERM & SEAL "15"	010925	010925	010926	1	3			010926	010926			010926	010926
5	STATOR W/SCREWS 115V/1PH (HPIC or TPIC)	012084	012084	N/A	3				N/A	N/A			N/A	N/A
	STATOR W/SCREWS 230V/1PH (TPIC)	N/A	N/A	018593	3				018593	018593			018593	018593
	STATOR W/SCREWS 115V/1PH (GE)	010271	010271	N/A	3				N/A	N/A			N/A	N/A
6	STATOR W/SCREWS 230V/1PH (GE)	N/A	N/A	010272	3				010272	010272			010272	010272
	ROTOR ASM 115V/230V 1PH (HPIC or TPIC)	012085	012085	012085	1				012085	012085			012085	012085
7	ROTOR ASM 115V/230V 1PH (GE)	010270	010270	010270	1				010270	010270			010270	010270
8	SEAL, MTR HSG	034007	034007	034007	1				034007	034007			034007	034007
9	WASHER, TRST-NYL .875X.504	002140	002140	002140	1				002140	002140			002140	002140
10	OIL DIELECTRIC-(30.5 OZ)	007051	007051	007051	1				007051	007051			007051	007051
11	HOUSING, PUMP-MACH "264"	010718	010718	010718	1				010718	010718			010718	010718
12	SEAL, ASM, SHAFT-BLISTER PK	267027	267027	267027	1				267027	267027			267027	267027
13	IMPELLER	002570	002570	002570	1				002570	002570			002570	002570
14	BASE-MACH, PLASTIC	005199	011494	005199	1				005199	011494			011494	011494
15	CASE HANDLE & ARM	011494	011494	011494	1				011494	011494			011494	011494
16	PLUG, TEST-WHITE	034090	034090	034090	2				034090	034090			034090	034090
17	ARM & SEAL ASM	011509	011509	011509	1				011509	011509			011509	011509
18	CASE & SWITCH	011511	011511	011511	1				011511	011511			011511	011511
19	SEAL THRU WALL TERM	003402	003402	003402	2				003402	003402			003402	003402
20	GUARD	010717	010717	010717	1				010717	010717			010717	010717
21	HOUSING, MTR	004712	004712	004712	1				004712	004712			004712	004712
22	CAPACITOR	007642	007642	007642	1				007642	007642			007642	007642
23	SWITCH ASM	004705	004705	004705	1				004705	004705			004705	004705
24	FLOAT-POLYPROPYLENE	034019	034019	034019	1				034019	034019			034019	034019
25	ROD, FLOAT-MOLDED	010935	010935	010935	1				010935	010935			010935	010935
26	GUIDE ASM, FLT ROD	005477	005477	005477	1				005477	005477			005477	005477
27	O-RING	005701	005701	005701	1				005701	005701			005701	005701
28	SCREW #10-24 X.75 RHM-SL	001885	001885	001885	8				001885	001885			001885	001885
29	SCREW #6-32X.25 RHM SL TC	001877	001877	001877	1				001877	001877			001877	001877
30	SCREW, STATOR	001914	150099	001914	2				001914	150099			001914	150099
31	SCREW #6-32X.43RHALTP-1"	004644	004644	004644	2				004644	004644			004644	004644
32	SEM. 10-12X.5HA-SL SHMT	003229	003229	003229	1				003229	003229			003229	003229
33	SCREW #10-10X1-UNSLTD HE	005326	005326	005326	10				005326	005326			005326	005326
34	REBUILD KIT "264"	011515	011515	011515	1	3			011515	011515			011515	011515

Items included in Rebuild Kit. □ Not Shown in Illustration.

NOTES:

- 1) If an "X" follows Model No., of Date Mfg. on brass ID tag, consult factory for ordering of this part.
- 2) See FM0160 Parts Price Sheet for listing of parts prices.
- 3) Kits are supplied with two different size screws for mounting stators. During assembly verify length and ensure the screws are seated properly.

REPLACEMENT PARTS LIST FOR MODELS "N264" and "E264"

REF. NO.	DESCRIPTION	MODELS:			QTY	NOTES	N264-A		N264-B		E264-A		E264-B	
		6/96 thru 7/09	8/09 current	6/96 thru 7/09			8/09 current	6/96 thru 7/09	8/09 current	6/96 thru 7/09	8/09 current			
1	GASKET, CASE/COVER	034046	034046	1		034046	034046	034046	034046					
2	CLAMP, STRAIN RELIEF	004200	004200	1		004200	004200	004200	004200					
3	SEAL_CORD-ASM "264"	004322	004322	1	1	004322	004322	004322	004322					
4	CORD TERM & SEAL 15"	010927	010927	1	1	010927	010927	010927	010927					
5	STATOR W/SCREWS 115V/1PH (HPIC OR TPIC)	012084	012084	3	3	012084	012084	N/A	012084					
	STATOR W/SCREWS 230V/1PH (TPIC)	N/A	N/A	3	3	N/A	N/A	018593	018593					
	STATOR W/SCREWS 115V/1PH (GE)	010271	010271	3	3	010271	010271	N/A	010271					
6	ROTOR ASM 115V/230V 1PH (HPIC OR TPIC)	012085	012085	1		012085	012085	012085	012085					
	ROTOR ASM 115/230V 1PH (GE)	010270	010270	1		010270	010270	010270	010270					
7	SEAL_MTR HSG	034007	034007	1		034007	034007	034007	034007					
8	WASHER, TRST-NYL .875X.504	002140	002140	1		002140	002140	002140	002140					
9	OIL DIELECTRIC-(30.5 OZ)	007051	007051	1		007051	007051	007051	007051					
10	HOUSING,PUMP-MACH "264"	010718	010718	1		010718	010718	010718	010718					
11	SEAL_ASM,SHAFT-BLISTER PK	267027	267027	1		267027	267027	267027	267027					
12	IMPELLER	002570	002570	1		002570	002570	002570	002570					
13	BASE-MACH,PLASTIC	005199	005199	1		005199	005199	005199	005199					
14	COVER, HANDLE	002580	002580	1		002580	002580	002580	002580					
15	PLUG,TEST-WHITE	034090	034090	2		034090	034090	034090	034090					
16	SEAL_THRU WALL TERM	003402	003402	2		003402	003402	003402	003402					
17	HOUSING,MTR	004712	004712	1		004712	004712	004712	004712					
18	CAPACITOR	007642	007642	1		007642	007642	007642	007642					
19	SCREW #10-24 X.75 RHM-SL	001885	001885	8		001885	001885	001885	001885					
20	SCREW #10-10X1-UNSLTD HE	005326	005326	10		005326	005326	005326	005326					
21	SCREW, STATOR	001914	150099	2		001914	150099	001914	150099					
22	SCREW #6-32 X.25 RHM SL TC	001877	001877	1		001877	001877	001877	001877					
23	O-RING	005701	005701	1		005701	005701	005701	005701					
□	REBUILD KIT "264"	011515	011515	1	3	011515	011515	011515	011515					

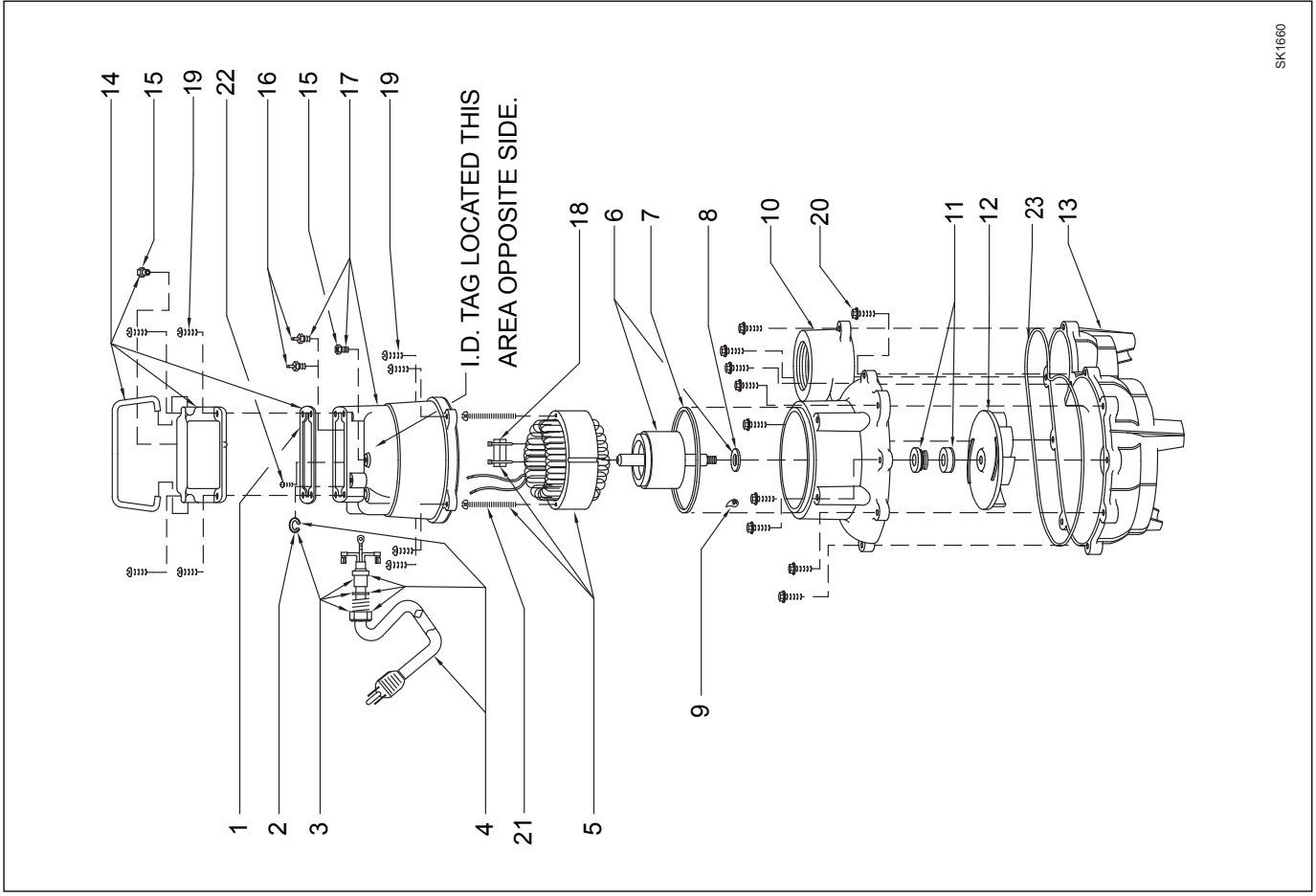
• Items included in Rebuild Kit.

□ Not Shown in Illustration.

NOTES:

- 1) If an "X" follows Model No., of Date Mfg. on brass ID tag, consult factory for ordering of this part.
- 2) See FM0160 Parts Price Sheet for listing of parts prices.
- 3) Kits are supplied with two different size screws for mounting stators. During assembly verify length and ensure the screws are seated properly.

REPLACEMENT PARTS ILLUSTRATION FOR MODELS "N264" and "E264"



REPLACEMENT PARTS LIST FOR MODELS "WM264".

REF. NO.	DESCRIPTION	MODELS: WM264-A		NOTES	QTY	WM264-B	
		6/96 thru 7/09	9/08 thru Current				
1	GASKET, CASE/COVER	034046	034046		1		
2	CLAMP, STRAIN RELIEF	001770	001770		1		
3	COVER & HANDLE	002580	002580		1		
4	PLUG, TEST-WHITE	034090	034090		1		
5	SCREW,#10-24 X.75 RH/M-SL	001885	001885		8		
6	SCREW,#6-32X.25 RH/M-SL TC	001877	001877		1		
7	SEAL, THRU WALL, TERMR	003402	003402		2		
8	HOUSING,MTR-& TERM ASM.	004712	004712		1		
9	SCREW, STATOR	001914	150099		2	3	
10	STATOR W/SCREWS 115V/1PH (HPIC OR TPIC)	012084	012084		1	3	
	STATOR W/SCREWS 115V/1PH (GE)	010271	010271		3		
11	BASE-MACH,PLASTIC	010682	010682		1		
12	IMPELLER	002570	002570		1		
13	SEAL ASM,SHAFT-BLISTER PK	267027	267027		1		
14	HOUSING,PUMP-MACH "264"	010718	010718		1		
15	SCREW,#10-10X1-JUNSLTD HE	005326	005326		10		
16	WASHER, TRST-NYL .875X.504	002140	002140		1		
17	SEAL MTR HSG	034007	034007		1		
18	ROTOR ASM 115V 1PH (HPIC OR TPIC)	012085	012085		1		
	ROTOR ASM 115/230V 1PH (GE)	010270	010270		1		
19	OIL DIELECTRIC-(30.5 OZ)	007051	007051		1		
20	FLOAT ROD STOP-MECH SWIT	009120	009120		2		
21	FLOAT,MECH SWITCH	009119	009119		1		
22	ROD,FLOAT-VERT SWITCH	010499	010499		1		
23	FLOAT ROD RETAINING PIN	009121	009121		1		
24	HARDWARE PACK, VERT SW	010532	010532		1		
25	SEAL,CORD-ASM "WM264/1264"	011562	011562		1		
26	SWITCH & CORD,SEAL ASM WM264	011563	011563		1		
27	CAPACITOR	007642	007642		1		
28	O-RING	005701	005701		1		
□	REBUILD KIT "WM264/WM1264"	011514	011514		1	3	

• Items included in Rebuild Kit. □ Not Shown in Illustration.

NOTES:

- 1) If an "X" follows Model No., of Date Mfg. on brass ID tag, consult factory for ordering of this part.
- 2) See FM0160 Parts Price Sheet for listing of parts prices.
- 3) Kits are supplied with two different size screws for mounting stators. During assembly verify length and ensure the screws are seated properly.

REPLACEMENT PARTS ILLUSTRATION FOR MODEL "WM264".

