

Product information presented here reflects conditions at time of publication. Consult factory regarding discrepancies or inconsistencies.



PUMP COMPANY

Zoeller Family of Water Solutions™

MAIL TO: P.O. BOX 16347 • Louisville, KY 40256-0347
SHIP TO: 3649 Cane Run Road • Louisville, KY 40211-1961
(502) 778-2731 • 1 (800) 928-PUMP • FAX (502) 774-3624

visit our web site: www.zoeller.com

Portable Utility Pump Model 314

INSTALLATION INSTRUCTIONS

These installation instructions are applicable for Model 314 Portable Utility Pump Only

PREINSTALLATION CHECKLIST - ALL INSTALLATIONS

ATTENTION: READ CAREFULLY BEFORE ATTEMPTING TO INSTALL OR OPERATE YOUR PUMP. PROTECT YOURSELF AND OTHERS BY OBSERVING ALL SAFETY INFORMATION AND ADDITIONAL INSTRUCTIONS INCLUDED WITH EQUIPMENT. FAILURE TO COMPLY WITH INSTRUCTIONS COULD RESULT IN PERSONAL INJURY AND/OR PROPERTY DAMAGE! RETAIN FOR FUTURE REFERENCE.



WARNING

SEE BELOW FOR LIST OF WARNINGS

- 1. Make sure that the pump is plugged into a properly grounded electrical receptacle. Use an Underwriters Laboratory listed circuit analyzer to test for proper installation of the circuit and ground. Any service to circuits or receptacles should be conducted by a qualified, licensed electrician.
2. Do not remove the ground pin from the plug under any circumstances. If the ground pin is damaged, replace the power cord or plug before use.
3. All electrical installations must conform to the requirements of the National Electric Code and all local codes.
4. It is strongly recommended that the unit be plugged into a GFCI protected circuit.
5. Disconnect power before servicing the pump or motor by unplugging the unit from the outlet.
6. Do not touch the motor when operating, and allow the motor to cool before touching.
7. This pump is designed for water only, although it can be used to add propylene glycol antifreeze to radiant heating lines. It has not been evaluated for pumping of chemicals.
8. Do not use this product to pump flammable or explosive liquids.
9. Do not use this product in hazardous environments or anywhere a spark could potentially ignite explosive gases.
10. Do not handle this product with wet hands or while standing in water or on a wet or damp surface.
11. Model 314 is supplied with an automatically resetting thermal overload device and can restart without warning.
12. Do not submerge the pump or motor in water.
13. Secure the discharge line before starting the pump. An unsecured hose can whip, possibly causing personal injury or property damage.
14. Provide a means of pressure relief if the pump discharge can be shut off or obstructed. Pumps operating against a closed discharge can create very hot pumped liquid, which can cause burns.
15. Do not operate this product while unattended.
16. Product is portable and not intended to be permanently installed outdoors. If installed outdoors, care should be taken to protect the unit from rain and other elements of the weather.
17. According to the state of California (Prop 65), this product contains chemicals known to the state of California to cause cancer and birth defects or other reproductive harm.

CAUTION

SEE BELOW FOR LIST OF CAUTIONS

- 1. Make certain that the power source conforms to the requirements of the equipment as stated on the product nameplates.
2. Check hoses for weak or worn conditions before use, and make certain that all connections are secure.
3. Periodically inspect the pump for damage, and perform routine maintenance as required.
4. The maximum temperature of the pumped liquid must not exceed 120°F. The minimum allowable temperature is 40°F.
5. Use a screen or strainer on the inlet to prevent solids from entering the pump.
6. To avoid internal pump damage, pump should not be run for more than five minutes while attempting to prime

REFER TO WARRANTY ON PAGE 2.

LIMITED WARRANTY

Manufacturer warrants, to the purchaser and subsequent owner during the warranty period, every new product to be free from defects in material and workmanship under normal use and service, when properly used and maintained, for a period of one year from date of purchase by the end user, or 18 months from date of original manufacture of the product, whichever comes first. Parts that fail within the warranty period, one year from date of purchase by the end user, or 18 months from the date of original manufacture of the product, whichever comes first, that inspections determine to be defective in material or workmanship, will be repaired, replaced or remanufactured at Manufacturer's option, provided however, that by so doing we will not be obligated to replace an entire assembly, the entire mechanism or the complete unit. No allowance will be made for shipping charges, damages, labor or other charges that may occur due to product failure, repair or replacement.

This warranty does not apply to and there shall be no warranty for any material or product that has been disassembled without prior approval of Manufacturer, subjected to misuse, misapplication, neglect, alteration, accident or act of God; that has not been installed, operated or maintained in accordance with Manufacturer's installation instructions; that has been exposed to outside substances including but not limited to the following: sand, gravel, cement, mud, tar, hydrocarbons, hydrocarbon derivatives (oil, gasoline, solvents, etc.), or other abrasive or corrosive substances, wash towels or feminine sanitary products, etc. in all pump-

ing applications. The warranty set out in the paragraph above is in lieu of all other warranties expressed or implied; and we do not authorize any representative or other person to assume for us any other liability in connection with our products.

Contact Manufacturer at, 3649 Cane Run Road, Louisville, Kentucky 40211, Attention: Customer Support Department to obtain any needed repair or replacement of part(s) or additional information pertaining to our warranty.

MANUFACTURER EXPRESSLY DISCLAIMS LIABILITY FOR SPECIAL, CONSEQUENTIAL OR INCIDENTAL DAMAGES OR BREACH OF EXPRESSED OR IMPLIED WARRANTY; AND ANY IMPLIED WARRANTY OF FITNESS FOR A PARTICULAR PURPOSE AND OF MERCHANTABILITY SHALL BE LIMITED TO THE DURATION OF THE EXPRESSED WARRANTY.

Some states do not allow limitations on the duration of an implied warranty, so the above limitation may not apply to you. Some states do not allow the exclusion or limitation of incidental or consequential damages, so the above limitation or exclusion may not apply to you.

This warranty gives you specific legal rights and you may also have other rights which vary from state to state.

TROUBLE SHOOTING GUIDE



▲ WARNING


ELECTRICAL PRECAUTIONS- Before servicing a pump, always shut off the main power breaker and then unplug the pump. Make sure you are not standing in water and are wearing insulated protective sole shoes. Under flooded conditions, contact your local electric company or a qualified licensed electrician for disconnecting electrical service prior to pump removal.

<p>A. Pump will not begin pumping or retain prime after operating, or stops pumping water</p>	<ol style="list-style-type: none"> 1. Air leak in inlet line 2. Fittings not tight 3. Hose kinked or looped 4. Inlet hose out of water 5. Clogged inlet 6. Inlet lift too high 7. Impeller blocked 8. Worn seal 	<ol style="list-style-type: none"> 1. Repair or replace inlet line, make sure fittings are air tight, use Teflon® tape if necessary 2. Tighten fittings air tight, use Teflon® tape if necessary 3. Straighten hose 4. Submerge inlet hose end 5. Clean inlet 6. Lower pump 7. Remove blockage 8. Replace seal
<p>B. Pump will not start or run</p>	<ol style="list-style-type: none"> 1. Blown fuse 2. Low line voltage 3. Worn brushes 4. Impeller blocked 5. Defective motor 	<ol style="list-style-type: none"> 1. If blown, replace with proper sized fuse or reset circuit breaker 2. If voltage is under 108 volts, check wiring size 3. Replace brushes 4. Remove blockage 5. Replace pump
<p>C. Flow rate is too low</p>	<ol style="list-style-type: none"> 1. Piping or hose is kinked or damaged 2. Low line voltage 3. Too much discharge hose friction 	<ol style="list-style-type: none"> 1. Clean or replace 2. If voltage is under 108 volts, check wiring size 3. Shorten and/or increase diameter of hose.
<p>D. Seal leaks</p>	<ol style="list-style-type: none"> 1. Worn seal 2. Pump head loose on motor 	<ol style="list-style-type: none"> 1. Replace seal 2. Ensure proper assembly and no obstructions, tighten bolts


DESCRIPTION

This portable utility pump is designed to be used as a transfer pump for such applications as emptying water heaters, swimming pools, livestock tanks, boats, etc. Pump can also be used for an intermittent pressure booster for applications such as washing cars, cleaning driveways, etc. The motor is air cooled. It is **NOT** designed to operate under water.


INSTALLATION

▲ DANGER  Always disconnect power source before attempting to install, service or maintain the pump. Never handle a pump with wet hands or when standing on wet or damp surface or in water. Fatal electrical shock could occur.

1. A ground fault circuit interrupter (GFCI) is recommended.

▲ DANGER  Risk of electrical shock. This pump is supplied with a grounding conductor and grounding type attachment plug. A grounded receptacle in conformance with current NEC and local codes must be used.

2. This pump operates on 115V, 60Hz AC, single phase.

▲ DANGER  Risk of fatal electrical shock. Never cut off the round grounding prong. Cutting the cord or plug will void the warranty and make the pump inoperable.

3. Figure 1 shows a typical installation. Threaded adapters are furnished for attaching garden hose where conditions permit its use. In no case should the pump be more than 15 feet above or away from inlet source. Use of foot valve on inlet line is recommended.

▲ IMPORTANT Make sure the inlet hose is **NOT** coiled or kinked above or below water level.

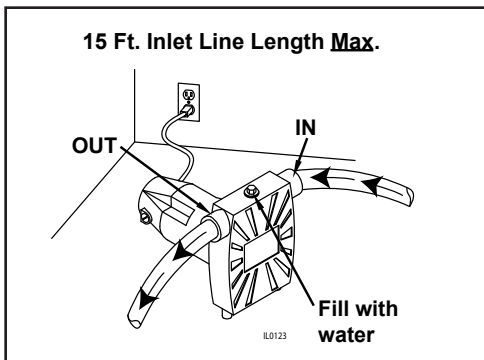


Figure 1

4. The inlet line may be galvanized pipe, plastic pipe, or non-collapsible hose. Small leaks in suction line greatly reduce efficiency of pump and may prevent priming.


▲ IMPORTANT Typical garden hose will collapse under suction conditions and should not be used in the inlet, except for pressure boosting situations.

5. Use a strainer when pumping from a creek, pond, or source where foreign objects may be sucked into the pump.

6. A regular 3/4" garden hose may be used as a discharge line. Keep the total length as short as possible to prevent excessive friction loss.

OPERATION

▲ IMPORTANT Pump must be filled with water before operation. Running the pump dry or pumping any sand or other abrasives will cause damage to the shaft seal or impeller and void the warranty.

▲ DANGER  Product is portable, and not intended to be permanently installed outdoors. If installed outdoors, care should be taken to protect the unit from rain and other elements of the weather. This unit is not waterproof or weatherproof and is not intended to be used in showers, saunas, or other potentially wet locations. The motor is designed to be used in a clean, dry location with access to adequate cooling air. Ambient temperature around the motor should not exceed 104°F (40°C).

2. Remove priming plug and fill with water. Reinstall plug.

▲ IMPORTANT To help with the priming of the pump, a foot valve can be installed on the suction line. The use of a foot valve is strongly recommended to be installed on inlet lines lifting over five feet.

3. Plug power cord into GFCI protected electrical outlet. The pump will prime in a few minutes, depending on inlet line length.


▲ IMPORTANT To avoid internal pump damage, if after five minutes the pump has not begun pumping water, turn off the pump, remove the priming plug, re-fill pump with water, reinstall priming plug and plug pump back in.

4. In the case of pressure boosting, turn water on before starting pump. This force primes the pump. Then, plug power cord into GFCI protected electrical outlet.

MAINTENANCE

▲ WARNING Let pump cool for at least 20 minutes before attempting to service. Motor may be extremely hot. Personal injury may result.

1. Pump should be checked periodically for proper operation.

▲ DANGER  Always disconnect the electrical supply before attempting to install, service, or perform any maintenance. If the power source is out of sight, lock and tag in the open (off) position to prevent unexpected power applications. Disconnect electrical cord from power supply. Failure to do so could result in fatal electrical shock. Only qualified electricians should repair this unit. Improper repair could result in fatal electrical shock.

BRUSH REPLACEMENT

▲ IMPORTANT Brushes for this pump should be inspected after every 100 hours of operation.

Pumps with excess of 100 hours of operation may stop operating or fail to start. This could be due to worn brushes or carbon build-up. The brushes should be removed and carbon removed. Worn brushes are not covered under warranty.

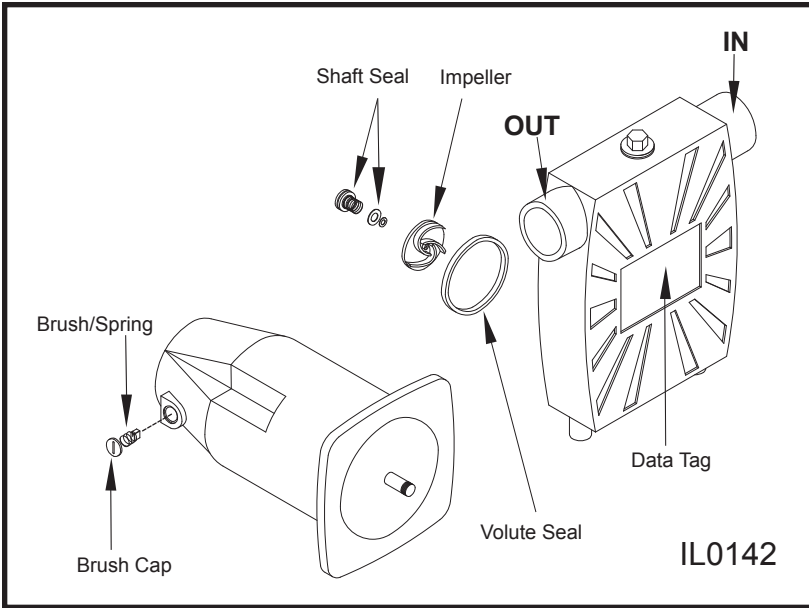
1. Disconnect electrical cord from power supply.
2. Remove brush caps with screwdriver.
3. Remove old brush assembly.
4. Insert new brush assembly.
5. Replace brush caps.

For other problems, consult troubleshooting chart.

SPECIFICATIONS

Motor 1/2 HP Single Phase, 115V, 60Hz, 8,000 RPM
 Series Wound (brush type) AC operation

Maximum Fluid Temperature 120°F
 Inlet/Outlet Openings 3/4" NPT

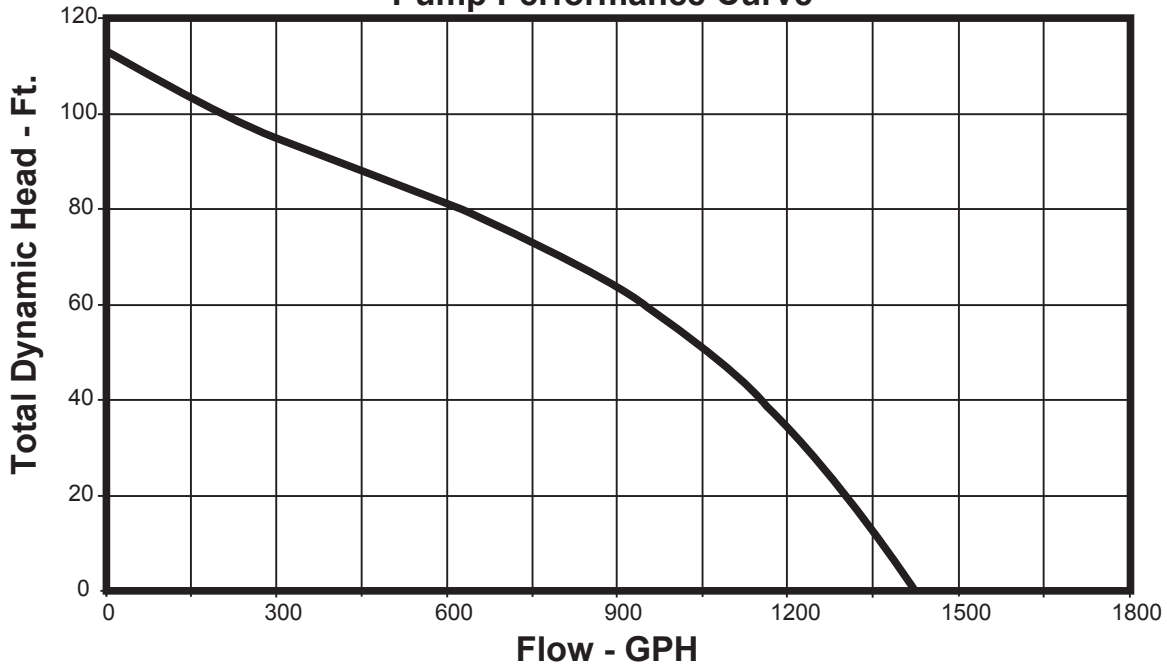


REPLACEMENT PARTS LIST			
Ref. No.	Description	Part Number	Req'd Quantity
1	Brush Kit*	015846	1
2	Impeller and Seal Kit	150380 Pump Rev. C**	1

*Kit includes one pair of brushes.
 **See data tag.

PERFORMANCE

**"High Capacity" Water Mover
 Pump Performance Curve**



IL0153

AVISO AL CONTRATISTA INSTALADOR: Las instrucciones deberán quedar con la instalación

Su tranquilidad es nuestra mayor prioridad™



PUMP COMPANY

Zoeller Family of Water Solutions™

DIRECCIÓN POSTAL: P.O. BOX 16347 • Louisville, KY 40256-0347 USA

DIRECCIÓN PARA ENVÍOS: 3649 Cane Run Road • Louisville, KY 40211-1961 USA

+1 (502) 778-2731 • FAX +1 (502) 774-3624

visite a nuestro sitio web:

www.zoeller.com

La información presentada adentro refleja condiciones al tiempo de publicación. Consultar la fábrica sobre discrepancias o contradicciones.

Bomba portátil de utilidad Modelo 314 INSTRUCCIONES DE INSTALACIÓN

Estas instrucciones de instalación corresponden a las bombas portátiles de utilidad modelo 314 solamente.





LISTA DE COMPROBACIÓN PREVIA A LA INSTALACIÓN: PARA TODAS LAS INSTALACIONES

ATENCIÓN: LEA DETENIDAMENTE ESTAS INSTRUCCIONES ANTES DE INSTALAR O UTILIZAR LA BOMBA. PROTÉJASE Y PROTEJA A LOS DEMÁS OBSERVANDO TODA LA INFORMACIÓN DE SEGURIDAD Y LAS INSTRUCCIONES ADICIONALES PROVISTAS CON EL EQUIPO. EL INCUMPLIMIENTO DE LAS INSTRUCCIONES PUEDE PROVOCAR LESIONES O DAÑOS MATERIALES. CONSERVE ESTAS INSTRUCCIONES COMO REFERENCIA.



ADVERTENCIA

VEA LA LISTA DE ADVERTENCIAS QUE SE PRESENTA A CONTINUACIÓN

1. Compruebe que la bomba esté conectada a una toma eléctrica debidamente puesta a tierra. Use un analizador de circuitos homologado por Underwriters Laboratory para revisar la instalación correcta del circuito y la puesta a tierra. Todo servicio a los circuitos o las tomas deberá ser realizado por un electricista certificado y calificado.
2. En ningún caso quite la pata de puesta a tierra de la clavija. Si la pata de puesta a tierra está dañada, reemplace el cordón eléctrico o la clavija antes de usar la bomba.
3. Todas las instalaciones eléctricas deben cumplir los requisitos del Código Eléctrico Nacional de EEUU. y de todos los códigos locales.
4. Recomendamos enfáticamente que la unidad sea conectada a un circuito protegido por un interruptor accionado por pérdida de corriente a tierra (GFCI).
5. Desconecte el suministro eléctrico antes de dar servicio a la bomba o el motor, desconectando la unidad de la toma eléctrica.
6.  No toque el motor mientras está funcionando y permita que el motor se enfríe antes de tocarlo.
7. Esta bomba ha sido diseñada para usarse únicamente con agua, aunque puede utilizarse para añadir anticongelante de glicol de polipropileno a líneas de calefacción por radiación. No ha sido evaluada para bombear sustancias químicas.
8.  No use este producto para bombear líquidos inflamables o explosivos.
9.  No use este producto en ambientes peligrosos ni en lugares donde una chispa podría encender gases explosivos.
10. No manipule este producto con las manos mojadas o al estar de pie en agua o en una superficie mojada o húmeda.
11. Los modelos 314 tienen un dispositivo de protección contra sobrecargas térmicas. Este dispositivo se restablece en forma automática y por lo tanto la bomba puede reencenderse sin advertencia.
12. No sumerja la bomba o el motor en agua.
13. Asegure la línea de descarga antes de encender la bomba. Una manguera no asegurada puede latigear y causar lesiones o daños materiales.
14.  Proporcione un mecanismo de liberación de presión si la línea de descarga de la bomba puede cerrarse u obstruirse. Las bombas que funcionan con una línea de descarga cerrada pueden generar líquido bombeado muy caliente, que puede provocar quemaduras.
15. No deje funcionando este producto sin supervisión.
16. El producto es portátil; no ha sido diseñado para instalarse de manera permanente al aire libre. Si se instala al aire libre, deberán tomarse medidas para proteger la unidad de la lluvia y del clima.
17. Este producto contiene sustancias químicas que de acuerdo al estado de California (Prop 65) pueden causar cáncer y defectos de nacimiento u otros daños en la reproducción.



PRECAUCIÓN

VEA LA LISTA DE PRECAUCIONES QUE SE PRESENTA A CONTINUACIÓN

1. Compruebe que el suministro eléctrico corresponda a los requisitos del equipo, tal como se especifica en las placas de datos del producto.
2. Revise las mangueras en busca de puntos débiles o desgastados antes de usarlas, y compruebe que todas las conexiones sean firmes.
3. Inspeccione periódicamente la bomba en busca de daños y lleve a cabo el mantenimiento rutinario que se requiera.
4. La temperatura máxima del líquido bombeado no debe exceder 49° C (120° F). La temperatura mínima permitida es de 4,5° C (40° F).
5. Utilice una rejilla o un cernidor en la entrada para evitar que entre materia sólida en la bomba.
6. Para evitar que el interior de la bomba se dañe, se recomienda que la bomba no funcione durante más de cinco minutos mientras que se intenta cebar la bomba.

REFIERE A LA GARANTÍA EN LA PÁGINA 6.

GARANTÍA LIMITADA

El Fabricante garantiza, al comprador y el propietario subsiguiente durante el periodo de garantía, que cada nuevo producto está libre de defectos en materiales y mano de obra bajo condiciones de uso y servicio normales, cuando se usa y mantiene correctamente, durante un periodo de un año a partir de la fecha de compra por parte del usuario final, o por 18 meses de la fecha de fabricación original del producto, lo que ocurra primero. Las partes que fallen durante el periodo de garantía, un año a partir de la fecha de compra por parte del usuario final, o 18 meses de la fecha de fabricación original del producto, lo que ocurra primero, cuyas inspecciones determinen que presentan defectos en materiales o mano de obra, serán reparadas, reemplazadas o remanufacturadas a opción del Fabricante, con la condición sin embargo de que por hacerlo no estemos en la obligación de reemplazar un ensamblaje completo, el mecanismo entero o la unidad completa. No se dará concesión alguna por costos de envío, daños, mano de obra u otros cargos que pudieran surgir por falla, reparación o reemplazo del producto.

Esta garantía no aplica a y no se ofrecerá garantía alguna por ningún material o producto que haya sido desarmado sin aprobación previa del Fabricante, o que haya sido sometido a uso indebido, aplicación indebida, negligencia, alteración, accidente o acto fortuito; que no haya sido instalado, usado o mantenido según las instrucciones de instalación del Fabricante; que haya sido expuesto a sustancias foráneas que incluyen pero no se limitan a lo siguiente: arena, grava, cemento, lodo, alquitrán, hidrocarburos, derivados de hidrocarburos (aceite, gasolina, solventes, etc.), u otras sustancias abrasivas o corrosivas, toallas para lavar o productos sanitarios femeninos, etc. en todas las aplicaciones de bombeo. La

garantía presentada en el párrafo anterior deja sin efecto cualquier otra garantía expresa o implícita; y no autorizamos a ningún representante u otra persona para que asuma por nosotros ninguna otra responsabilidad con respecto a nuestros productos.

Comuníquese con el Fabricante en 3649 Cane Run Road, Louisville, KY 40211 EE.UU., Attention: Customer Support Department, para obtener cualquier reparación necesaria o reemplazo de partes o información adicional sobre nuestra garantía.

EL FABRICANTE EXPRESAMENTE RECHAZA RESPONSABILIDAD POR DAÑOS ESPECIALES, EMERGENTES O INCIDENTALES O POR INCUMPLIMIENTO DE LA GARANTÍA EXPRESA O IMPLÍCITA; Y CUALQUIER GARANTÍA IMPLÍCITA DE IDONEIDAD PARA UN FIN PARTICULAR Y DE COMERCIALIZACIÓN SE LIMITARÁ A LA DURACIÓN DE LA GARANTÍA EXPRESA.

Algunos estados no permiten limitaciones en la duración de una garantía implícita, de forma que la limitación anterior podría no aplicar a usted. Algunos estados no permiten la exclusión o limitación de daños incidentales o emergentes, de forma que la limitación o exclusión anterior podría no aplicar a usted.

Esta garantía le otorga a usted derechos legales específicos y podría tener otros derechos que varían de un estado a otro.

GUÍA DE IDENTIFICACIÓN Y RESOLUCIÓN DE PROBLEMAS



ADVERTENCIA

PRECAUCIONES ELÉCTRICAS Antes de dar servicio a la bomba, siempre apague el interruptor eléctrico principal y desconecte la bomba. Compruebe que no esté de pie en agua y que esté usando calzado con suela protectora. En caso de inundación, comuníquese con la compañía eléctrica de su localidad o con un electricista certificado para conocer la forma de desconectar el servicio eléctrico antes de extraer la bomba.

<p>A. La bomba no comienza a bombear ni permanece cebada después de que ha estado</p>	<ol style="list-style-type: none"> 1. Fuga de aire en la línea de entrada 2. Conectores no apretados 3. Manguera doblada o en bucle 4. Manguera de entrada fuera del agua 5. Entrada obstruida 6. Demasiada elevación de admisión 7. Impulsor bloqueado 8. Sello desgastado 	<ol style="list-style-type: none"> 1. Repare o reemplace la línea de admisión. Asegúrese de que las conexiones sean herméticas; utilice cinta Teflón si es necesario. 2. Apriete las conexiones hasta que éstas estén herméticas; utilice cinta Teflón si es necesario. 3. Enderece la manguera. 4. Sumerja el extremo de la manguera de admisión. 5. Limpie la entrada. 6. Baje la bomba. 7. Elimine el bloqueo. 8. Reemplace el sello.
<p>B. La bomba no arranca o no funciona.</p>	<ol style="list-style-type: none"> 1. Fusible fundido 2. Bajo voltaje de línea 3. Escobillas desgastadas 4. Impulsor bloqueado 5. Motor defectuoso 	<ol style="list-style-type: none"> 1. Si el fusible está fundido, reemplácelo por otro de tamaño apropiado o restablezca el cortacircuitos. 2. Si el voltaje es menor que 108 V, revise el calibre del cable. 3. Reemplace las escobillas. 4. Elimine el bloqueo. 5. Reemplace la bomba.
<p>C. El caudal es demasiado bajo.</p>	<ol style="list-style-type: none"> 1. La tubería o manguera está plegada o dañada 2. Bajo voltaje de línea 3. Demasiada fricción en la manguera de descarga. 	<ol style="list-style-type: none"> 1. Limpie o reemplace. 2. Si el voltaje es menor que 108 V, revise el calibre del cable. 3. Acorte la manguera o aumente el diámetro de ésta.
<p>D. Fugas en los sellos.</p>	<ol style="list-style-type: none"> 1. Sello desgastado 2. El cabezal de bombeo del motor está suelto 	<ol style="list-style-type: none"> 1. Reemplace el sello. 2. Compruebe que la bomba esté bien armada y sin obstrucciones; apriete los pernos.

DESCRIPCIÓN

La bomba portátil de uso general ha sido diseñada para usarse como bomba de transferencia en aplicaciones tales como el vaciado de calentadores de agua, piscinas, bebederos para ganado, barcos, etc. La bomba también puede utilizarse como reforzador intermitente de presión en aplicaciones como lavado de automóviles, limpieza de entradas, etc. El motor es enfriado por aire. La bomba **NO** está diseñada para funcionar debajo del agua.

INSTALACIÓN

▲ PELIGRO



Siempre desconecte la alimentación eléctrica antes de instalar la bomba o realizar actividades de servicio o mantenimiento. Nunca manipule la bomba con las manos mojadas o si está de pie en agua o sobre una superficie húmeda o mojada, ya que podría ocurrir una electrocución fatal.

1. Se recomienda el uso de un interruptor de circuito accionado por pérdida de corriente a tierra (GFCI).

▲ PELIGRO



Riesgo de electrocución. Esta bomba se entrega con un conector de puesta a tierra y una clavija de tipo puesta a tierra. Debe emplearse una toma puesta tierra de conformidad con el Código Eléctrico Nacional de EE.UU. y los códigos locales.

2. Esta bomba funciona con un suministro eléctrico de 115 V, 60 Hz, CA, una fase.

▲ PELIGRO



Riesgo de electrocución fatal. Nunca corte la pata redonda de puesta a tierra. Si corta el cordón o la clavija, se anulará la garantía y la bomba no funcionará.

3. En la figura 1 se ilustra una instalación típica. Se proveen adaptadores roscados para conectar una manguera de jardín si las condiciones lo permiten. La bomba no debe estar en ningún caso a más de 5 m (15 pies) de altura o distancia de la fuente de entrada. Se recomienda el uso de una válvula de pie en la línea de admisión.

▲ IMPORTANTE Asegúrese de que la manguera de admisión **NO** esté enrollada o plegada por debajo del nivel del agua.

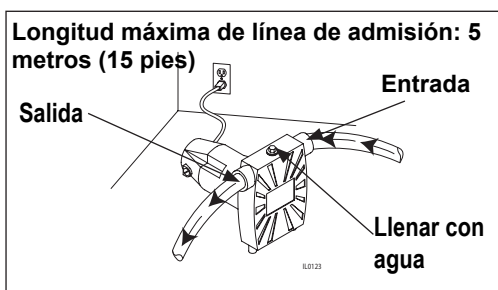


Figura 1

4. La línea de entrada puede ser una tubería galvanizada, una tubería de plástico o una manguera a prueba de colapso. Las fugas pequeñas en la línea de admisión reducen considerablemente la eficiencia de la bomba y pueden impedir el cebado.

▲ IMPORTANTE Las mangueras de jardín típicas se colapsan en condiciones de succión y por lo tanto no pueden emplearse como línea de entrada, excepto en situaciones de refuerzo de presión.

- Utilice un cernidor al bombear de un arroyo, lago o cualquier fuente de donde la bomba pueda succionar objetos extraños.
- Puede utilizar una manguera de jardín normal de 1,9 cm (3/4 de pulgada) como línea de descarga. Mantenga la longitud total lo más corta posible para evitar pérdidas excesivas por fricción.

OPERACIÓN

▲ IMPORTANTE La bomba debe llenarse con agua antes de utilizarse. La operación de la bomba en seco o el bombeo de arena u otros materiales abrasivos dañarán el sello del eje o el impulsor y anularán la garantía.

▲ PELIGRO



El producto es portátil; no ha sido diseñado para instalarse de manera permanente al aire libre. Si se instala al aire libre, deberán tomarse medidas para proteger la unidad de la lluvia y del clima. Esta unidad no es a prueba de agua ni a prueba de la intemperie, y no ha sido diseñada para utilizarse en duchas, saunas y otros lugares mojados. El motor ha sido diseñado para utilizarse en un lugar limpio y seco, con acceso a aire refrigerante suficiente. La temperatura ambiental alrededor del motor no debe exceder 40° C (104° F).

2. Quite el tapón de cebado y llene la bomba con agua. Vuelva a colocar el tapón.

▲ IMPORTANTE Para ayudar al cebado de la bomba, puede instalar una válvula de pie en la línea de admisión. Se recomienda muy **enfáticamente** instalar una válvula de pie en las líneas de aspiración que levantan el agua más de 1,52 metros (5 pies).

3. Conecte el cordón eléctrico a una toma protegida por un interruptor de circuito accionado por pérdida de corriente a tierra (GFCI). La bomba se cebará en pocos minutos, dependiendo de la longitud de la línea de admisión.

▲ IMPORTANTE Para evitar que el interior de la bomba se dañe, si después de cinco minutos la bomba no ha comenzado a bombear el agua, apague la bomba, quite el tapón de cebado, vuelva a llenar la bomba con agua, reinstale el tapón de cebado y reconecte la bomba.

4. Si está reforzando la presión, abra el suministro de agua antes de encender la bomba. Esta fuerza cebará la bomba. Después conecte el cordón eléctrico a una toma protegida por un interruptor de circuito accionado por pérdida de corriente a tierra (GFCI).

MANTENIMIENTO

▲ ADVERTENCIA Deje que la bomba se enfríe al menos 20 minutos antes de realizar actividades de servicio. El motor puede estar muy caliente y puede ocasionar lesiones.

1. Periódicamente debe revisarse el funcionamiento correcto de la bomba.

▲ PELIGRO



Siempre desconecte el suministro eléctrico antes de instalar la bomba o de realizar actividades de servicio o mantenimiento. Si el suministro eléctrico no está a la vista, bloquee y rotule el suministro en la posición abierta (apagado) para evitar la aplicación inesperada de la energía eléctrica. El incumplimiento de esta precaución puede provocar electrocuciones fatales. Esta unidad sólo debe ser reparada por electricistas calificados. Desconecte el cordón eléctrico de la toma. Una reparación incorrecta puede causar electrocuciones fatales.

Reemplazo de las escobillas

▲ IMPORTANTE Las escobillas de la bomba deben inspeccionarse después de cada 100 horas de uso.

Las bombas con más de 100 horas de uso pueden dejar de funcionar o no arrancar. Esto puede deberse al desgaste de las escobillas o a la acumulación de carbón. Quite las escobillas y elimine los residuos de carbón. Las escobillas desgastadas no están cubiertas por la garantía.

1. Desconecte el cordón eléctrico de la toma.
2. Quite los tapones de las escobillas utilizando un destornillador.
3. Quite el conjunto de las escobillas.
4. Coloque un nuevo conjunto de escobillas.
5. Vuelva a colocar los tapones de las escobillas.

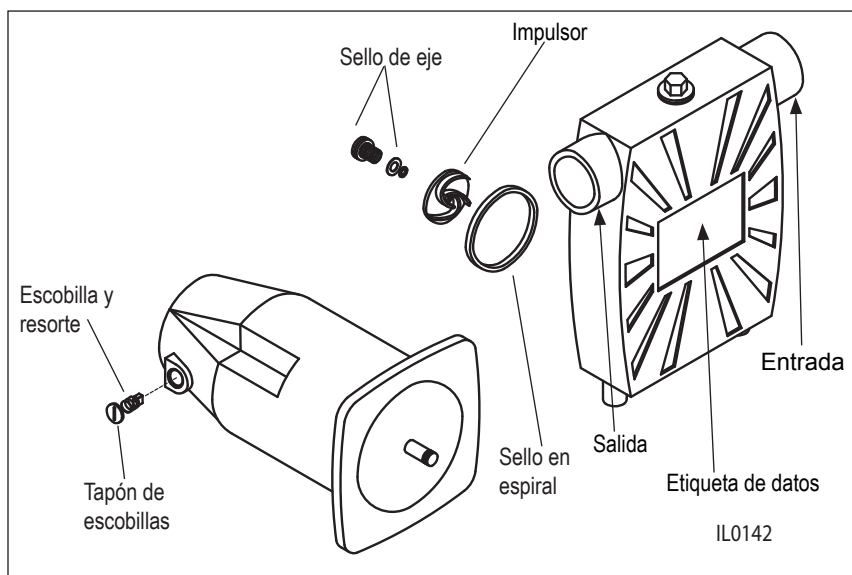
Si se presentan otros problemas, consulte la tabla de identificación y resolución de problemas.

ESPECIFICACIONES

Motor 1/2 HP, una fase, 115 V, 60 Hz, 8.000 RPM
Devanado en serie (tipo escobilla), funcionamiento con CA

Temperatura máxima del líquido 49° C (120° F)

Orificios de entrada y salida NPT de 1,9 cm (3/4 de pulgada)



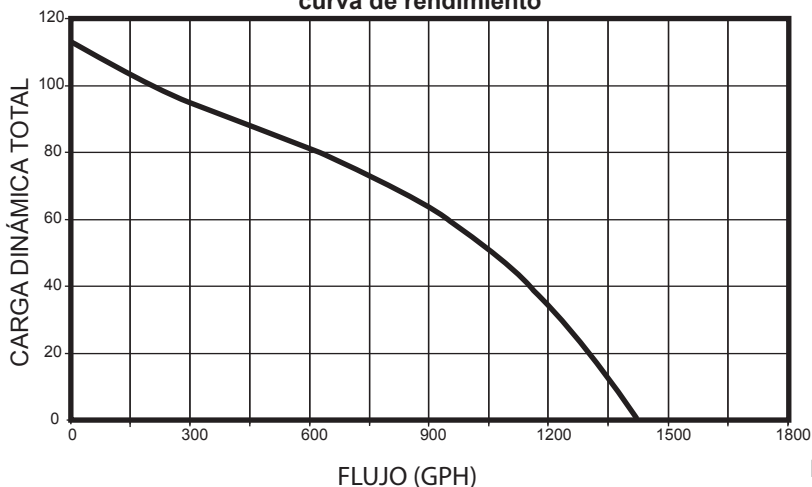
Partes para reemplazo			
Núm. Ref.	Descripción	Número de parte	Cantidad requerida
1	Juego de escobillas*	015846	1
2	Juego de impulsor y sellos	150380 Bomba Rev. C**	1

*El juego contiene un par de escobillas.

**Ver la etiqueta de datos.

Rendimiento

Water-Mover de alta capacidad
curva de rendimiento



IL0153

Note aux installateurs : Laissez les instructions sur le lieu de l'installation.

Votre tranquillité d'esprit est notre priorité absolue™



PUMP COMPANY

Zoeller Family of Water Solutions™

ADRESSE POSTALE : P.O. BOX 16437 • Louisville, KY 40256-0347 USA
ADRESSE PHYSIQUE : 3649 Cane Run Road • Louisville, KY 40211-1961 USA
TÉL : +1 (502)778-2731 • FAX +1 (502) 774-3624

Visitez notre site internet:
www.zoeller.com

Les renseignements présentés dans ce document représentent les conditions au moment de la publication. Consulter l'usine en cas de désaccord et de manque de cohérence.

Pompes utilitaires portables Modèle 314

INSTRUCTIONS D'INSTALLATION

Ces instructions d'installation s'appliquent aux pompes utilitaires portables





LISTE DE VÉRIFICATION AVANT INSTALLATION - DE TOUTES INSTALLATIONS

ATTENTION : LIRE ATTENTIVEMENT LA NOTICE AVANT D'INSTALLER OU DE FAIRE FONCTIONNER LA POMPE. SE PROTÉGER, AINSI QU'AUTRUI, EN RESPECTANT TOUTES LES CONSIGNES DE SÉCURITÉ ET INSTRUCTIONS SUPPLÉMENTAIRES COMPRISSES AVEC L'ÉQUIPEMENT. LE NON-RESPECT DE CES INSTRUCTIONS POURRAIT ENTRAÎNER DES BLESSURES CORPORELLES ET/OU ENDOMMAGER LA PROPRIÉTÉ ! CONSERVER CES INSTRUCTIONS POUR RÉFÉRENCE ULTÉRIEURE.



AVERTISSEMENT

VOIR PLUS BAS POUR LA LISTE DES AVERTISSEMENTS

1. **Assurez-vous que la pompe est branchée dans une prise électrique correctement mise à la terre.** Utilisez un multimètre classé UL (Underwriters Laboratory) pour vous assurer de la bonne installation du circuit et de la mise à la terre. Tous les travaux à apporter aux circuits ou aux prises devraient être effectués par un électricien qualifié agréé.
2. **Ne retirez jamais la broche de mise à la terre de la prise, quelles que soient les circonstances.** Si la broche de mise à la terre est endommagée, remplacez le cordon d'alimentation ou la prise avant utilisation.
3. Toutes les installations électriques doivent être conformes aux exigences du National Electric Code ainsi que de tous les codes locaux.
4. Il est fortement recommandé de brancher l'unité dans un circuit protégé par un interrupteur de défaut à la terre.
5. **Coupez l'alimentation électrique avant d'effectuer des travaux sur la pompe ou sur le moteur. Pour cela, débranchez l'unité de la prise d'alimentation.**
6.  Ne touchez pas le moteur lorsqu'il est en marche et laissez le moteur refroidir avant de la toucher.
7. Cette pompe a été conçue pour être utilisée uniquement avec de l'eau. Toutefois, on peut l'utiliser pour ajouter de l'antigel au propylène glycol dans les conduites de chauffage par rayonnement. Cette pompe n'a pas été évaluée pour le pompage de produits chimiques.
8.  N'utilisez pas cet appareil pour pomper des liquides inflammables ou explosifs.
9.  N'utilisez pas cet appareil dans des environnements dangereux ou dans les endroits où des étincelles pourraient éventuellement enflammer des gaz explosifs.
10. Ne touchez pas cet appareil si vous avez les mains mouillées ou humides, si vous avez les pieds dans l'eau ou si vous vous tenez sur une surface mouillée ou humide.
11. Les modèle 314 sont fournis avec un dispositif de surcharge thermique se remettant automatiquement à zéro. Ils peuvent donc redémarrer sans prévenir.
12. Ne submergez ni la pompe ni le moteur.
13. Attachez le tuyau de refoulement avant de démarrer la pompe. Si le tuyau n'est pas attaché, il risque de se déplacer et de fouetter, ce qui pourrait provoquer des blessures corporelles ou endommager la propriété.
14.  Prévoyez un moyen de détente de pression si le refoulement de la pompe peut être coupé ou obstrué. Les pompes dont le refoulement est coupé peuvent chauffer le liquide pompé à des températures très élevées, ce qui peut provoquer des brûlures.
15. Ne laissez pas cet équipement fonctionner sans surveillance.
16. Ce produit est portable. Il n'a pas été conçu pour l'installation permanente à l'extérieur. S'il est installé à l'extérieur, le produit doit être protégé de la pluie et des éléments.
17. Ce produit contient des produits chimiques dont l'état de la Californie (Prop 65) a déterminé comme étant la cause de cancer et de déficiences à la naissance ou autres dommages reproductifs.

ATTENTION

VOIR PLUS BAS POUR LA LISTE DES ATTENTIONS

1. Assurez-vous que la source d'alimentation est conforme aux exigences de l'équipement, tel qu'indiqué sur les plaques signalétiques de l'appareil.
2. Vérifiez les tuyaux pour vous assurer qu'ils ne sont pas usés ou abîmés et vérifiez que tous les raccordements sont bien connectés.
3. Inspectez régulièrement la pompe pour vous assurer qu'elle n'est pas endommagée et effectuez l'entretien régulier exigé.
4. La température maximale du liquide pompé ne doit pas être supérieure à 49° C (120° F). La température minimale admissible est de 4,5° C (40° F).
5. Utilisez un filtre ou une crépine sur l'admission pour éviter que des solides ne pénètrent dans la pompe.
6. Pour éviter tout dommage interne à la pompe, ne la faites pas tourner plus de cinq minutes si elle n'a pas été amorcée.

SE RÉFÉRER À LA GARANTIE EN PAGE 10.

GARANTIE LIMITÉE

Le fabricant garantit à l'acheteur et au propriétaire ultérieur pendant la période de garantie, tout produit neuf contre tout vice de matériel et de main-d'œuvre, en utilisation normale et quand utilisé et entretenu correctement, pendant une période d'un an à compter de la date de l'achat par l'utilisateur final ou 18 mois à compter de la date de fabrication initiale, la première des deux périodes prévalant. Les pièces devenant défectueuses pendant la période de garantie, dans une période d'un an à compter de la date de l'achat par l'utilisateur final ou 18 mois à compter de la date de fabrication initiale du produit, la première des deux périodes prévalant, et que des inspections prouvent contenir des vices de fabrication ou de main-d'œuvre, seront réparées, remplacées ou renouvelées au choix du Fabricant, à condition qu'en faisant cela nous ne soyons pas obligés de remplacer l'ensemble, le mécanisme complet ou l'appareil complet. Aucune provision n'est faite pour les frais d'expédition, les dégâts, la main-d'œuvre ni d'autres frais causés par la défaillance, la réparation ou le remplacement du produit.

Cette garantie ne s'applique pas et ne couvre aucun matériel ou produit qui a été démonté sans l'autorisation préalable du Fabricant, soumis à un usage abusif, des applications incorrectes, de la négligence, des modifications, des accidents ou un cas de force majeure ; qui n'a pas été installé, utilisé ou entretenu selon les instructions d'installation du Fabricant; qui a été exposé, y compris, mais non de façon limitative, à du sable, des gravillons, du ciment, de la boue, du goudron, des hydrocarbures ou des dérivés d'hydrocarbures (huile, essence, solvants, etc.) ou à d'autres produits abrasifs ou corrosifs, serviettes ou produits d'hygiène féminine etc., dans toutes les applications de pompage. La garantie mentionnée

ci-dessus remplace toutes les autres garanties expresses ou implicites et nous n'autorisons aucun représentant ou autre personne à accepter la responsabilité en notre nom pour nos produits.

Prendre contact avec le Fabricant, 3649 Cane Run Road, Louisville, KY 40211, à l'attention du Support à la Clientèle, pour obtenir des réparations, des pièces de remplacement ou des renseignements supplémentaires concernant la garantie.

LE FABRICANT REFUSE EXPRESSÉMENT TOUTE RESPONSABILITÉ POUR LES DÉGÂTS SPÉCIAUX, INDIRECTS OU SECONDAIRES OU POUR LES RUPTURES DE GARANTIE EXPRESSES OU IMPLICITES; ET TOUTE GARANTIE IMPLICITE D'APPLICABILITÉ À UNE UTILISATION SPÉCIFIQUE OU DE COMMERCIALITÉ EST LIMITÉE À LA DURÉE DE LA GARANTIE EXPRESSE.

Certaines provinces ne permettent pas les limitations de la durée de la garantie implicite et il est possible que cette limitation ne s'applique pas. Certaines provinces ne permettent pas l'exclusion ou la limitation des dégâts secondaires ou indirects, et il est possible que cette limitation ou exclusion ne s'applique pas.

Cette garantie vous donne des droits spécifiques reconnus par la loi et vous pouvez également avoir d'autres droits qui varient d'une province à l'autre.

GUIDE DE RECHERCHE DES CAUSES DE PANNES



AVERTISSEMENT

PRÉCAUTIONS À PRENDRE – Avant d'effectuer des travaux d'entretien sur une pompe, coupez toujours le disjoncteur principal et débranchez la pompe. Assurez-vous que vous ne vous tenez pas dans une flaque d'eau et que vous portez des chaussures à semelles isolantes. En cas d'inondations, contactez votre compagnie d'électricité locale ou un électricien qualifié agréé pour couper le service électrique avant de retirer la pompe.

<p>A. Le pompage ne se fait pas ou la pompe se désamorce après avoir commencé à tourner.</p>	<ol style="list-style-type: none"> 1. Fuite d'air dans la ligne d'admission 2. Raccords desserrés 3. Tuyau plié ou entortillé 4. Tuyau d'admission hors de l'eau 5. Admission bouchée 6. Hauteur d'admission trop élevée 7. Rotor bloqué 8. Joint usé 	<ol style="list-style-type: none"> 1. Réparez ou remplacez la conduite d'admission, vérifiez l'étanchéité des raccords et utilisez du ruban de Téflon si nécessaire. 2. Resserrez les raccords afin d'assurer une bonne étanchéité et utilisez du ruban de Téflon si nécessaire. 3. Déplier le tuyau 4. Mettre l'extrémité du tuyau dans l'eau 5. Nettoyer l'admission 6. Baisser la pompe 7. Retirer ce qui bloque le rotor 8. Remplacer le joint
<p>B. La pompe ne démarre pas ou ne tourne pas</p>	<ol style="list-style-type: none"> 1. Fusible grillé 2. Tension de ligne faible 3. Brosses usées 4. Rotor bloqué 5. Moteur défectueux 	<ol style="list-style-type: none"> 1. Si le fusible est grillé, le remplacer par un fusible adéquat ou réenclencher le disjoncteur 2. Si la tension est inférieure à 108 volts, vérifier la taille des fils 3. Remplacer les brosses 4. Retirer ce qui bloque le rotor 5. Remplacer la pompe
<p>C. Le débit est trop faible</p>	<ol style="list-style-type: none"> 1. Tuyauterie ou tuyau endommagé ou sale 2. Tension de ligne faible 3. Friction trop élevée dans le tuyau de refoulement. 	<ol style="list-style-type: none"> 1. Nettoyer ou remplacer 2. Si la tension est inférieure à 108 volts, vérifier la taille des fils 3. Réduire la longueur du tuyau et/ou en augmenter le diamètre.
<p>D. Il existe une fuite au niveau du joint</p>	<ol style="list-style-type: none"> 1. Joint usé 2. Tête de pompe desserrée sur le moteur 	<ol style="list-style-type: none"> 1. Remplacer le joint 2. S'assurer que le tout est correctement monté et qu'il n'existe pas d'obstructions. Serrer les boulons

DESCRIPTION

Cette pompe utilitaire portable est conçue pour être utilisée comme pompe de transfert dans des applications telles que vider les chauffe-eau, les piscines, les bacs pour bétail, les bateaux, etc. La pompe peut également être utilisée comme appoint intermittent d'accroissement de pression pour des applications telles que laver les voitures, nettoyer les allées, etc. Le moteur est refroidi à l'air. Il **N'EST PAS** conçu pour fonctionner dans l'eau.

INSTALLATION

▲ DANGER



Débranchez toujours la source d'alimentation avant d'installer, d'effectuer des travaux ou d'entretenir la pompe. Ne manipulez jamais la pompe avec les mains mouillées ou si vous vous tenez sur une surface mouillée ou humide. Il existe des risques mortels d'électrocution.

1. Il est recommandé d'avoir un disjoncteur différentiel (GFCI).

▲ DANGER



Il existe des risques d'électrocution. Cette pompe est fournie avec un conducteur de mise à la terre et une fiche de raccordement de type mise à la terre. Il est exigé d'utiliser une fiche mise à la terre en conformité avec les codes NEC et locaux actuels.

2. Cette pompe fonctionne sur un courant alternatif de 115 V, 60 Hz, monophasé.

▲ DANGER



Il existe des risques mortels d'électrocution. Ne coupez jamais la broche ronde de mise à la terre. Couper le cordon ou la prise annulera la garantie et rendra la pompe inutilisable.

3. Le schéma 1 présente une installation type. Des adaptateurs filetés sont fournis pour attacher un tuyau d'arrosage lorsque les conditions permettent une telle utilisation. La pompe ne devrait en aucun cas se situer à plus de 4,50 m (15 pieds) au-dessus ou éloignée de la source d'alimentation. Il est recommandé d'installer un clapet anti-retour à pédale sur la ligne d'admission.

▲ IMPORTANT Assurez-vous que le tuyau d'aspiration **N'EST NI enroulé ni plié au-dessus ou au-dessous de la surface de l'eau.**

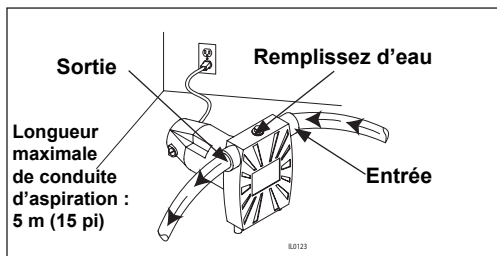


Schéma 1

4. La ligne d'admission peut être une tuyauterie galvanisée, une tuyauterie en plastique ou un tuyau semi-rigide. De petites fuites sur la ligne d'admission réduisent considérablement l'efficacité de la pompe et peuvent empêcher l'amorçage.

▲ IMPORTANT Un tuyau d'arrosage normal s'affaissera lors de l'aspiration et ne devrait par conséquent pas être utilisé sur l'admission, sauf comme moyen d'accroissement de la pression.

- Utilisez un filtre lorsque vous pompez l'eau dans un ruisseau, un étang ou dans une source où des corps étrangers pourraient être aspirés dans la pompe.
- Un simple tuyau d'arrosage de 1,9 cm (3/4 po.) peut être utilisé comme ligne de refoulement. Faites en sorte qu'il soit aussi court que possible pour éviter des pertes de charge excessives.

FONCTIONNEMENT

▲ IMPORTANT Remplir la pompe d'eau avant de l'utiliser. Le fonctionnement à sec de la pompe ou le pompage de sable ou autres matières abrasives endommagera le rotor ou le joint d'étanchéité de l'arbre et annulera la garantie.

▲ DANGER



Ce produit est portable. Il n'a pas été conçu pour l'installation permanente à l'extérieur. S'il est installé à l'extérieur, le produit doit être protégé de la pluie et des éléments. Cette unité n'est pas étanche et ne peut pas être mise à l'épreuve des intempéries. Elle n'est donc pas conçue pour être utilisée dans des douches, saunas ou autres lieux potentiellement mouillés. Le moteur est conçu pour être utilisé dans des lieux propres et secs offrant suffisamment d'air de refroidissement. La température ambiante autour du moteur ne devrait pas dépasser 40°C (104°F).

2. Retirez le bouchon d'amorçage et remplissez la pompe d'eau. Remettez le bouchon en place.

▲ IMPORTANT Pour faciliter l'amorçage de la pompe, un clapet de pied peut être installé sur la conduite d'aspiration. Il est fortement conseillé d'utiliser un clapet de pied dans les conduites d'aspiration d'une hauteur de plus de 1,5 mètre d'eau.

3. Branchez le cordon d'alimentation dans la prise électrique protégée par le disjoncteur différentiel. La pompe s'amorcera en quelques minutes, en fonction de la longueur de la ligne d'admission.

▲ IMPORTANT Pour éviter tout dommage interne à la pompe lorsque le pompage de l'eau n'a toujours pas commencé au bout de cinq minutes, arrêtez la pompe, retirez le bouchon d'amorçage, remplissez de nouveau la pompe d'eau, remettez le bouchon d'amorçage en place et redémarrez la pompe.

4. En cas d'utilisation d'un dispositif d'accroissement de pression, faites venir l'eau avant de démarrer la pompe. Cette force amorcera la pompe. Branchez ensuite le cordon d'alimentation dans une prise électrique protégée par un disjoncteur différentiel.

ENTRETIEN

▲ AVERTISSEMENT Laissez la pompe refroidir pendant au moins 20 minutes avant d'effectuer des travaux d'entretien. Le moteur pourrait être extrêmement chaud. Des blessures corporelles pourraient par conséquent avoir lieu.

1. La pompe devrait être vérifiée régulièrement pour assurer un bon fonctionnement.

⚠ DANGER Débranchez toujours l'alimentation électrique avant d'installer ou d'effectuer des travaux d'entretien ou de maintenance sur la pompe. Si la source d'alimentation électrique n'est pas visible, verrouillez et étiquetez l'appareil en position ouverte (arrêt) pour empêcher toute application d'électricité accidentelle. Le non-respect de cette consigne pourrait entraîner une électrocution. Seuls des électriciens qualifiés devraient réparer cette unité. Débrancher le cordon électrique de la source d'alimentation. De mauvaises réparations pourraient entraîner des électrocutions mortelles.

REPLACEMENT DES BROSSES

⚠ IMPORTANT Les brosses de cette pompe doivent être inspectées après 100 heures de fonctionnement.

Les pompes ayant fonctionné pendant plus de 100 heures peuvent arrêter de fonctionner ou ne pas démarrer. Cela peut être dû à l'usure des brosses ou à une accumulation de carbone. Les brosses et le carbone devraient être retirés. Les brosses usées ne sont pas couvertes par la garantie.

1. Débranchez le cordon d'alimentation électrique de la source d'alimentation.
2. Retirez les capuchons des brosses à l'aide d'un tournevis.
3. Retirez les anciennes brosses.
4. Insérez les nouvelles brosses.
5. Remettez les capuchons en place.

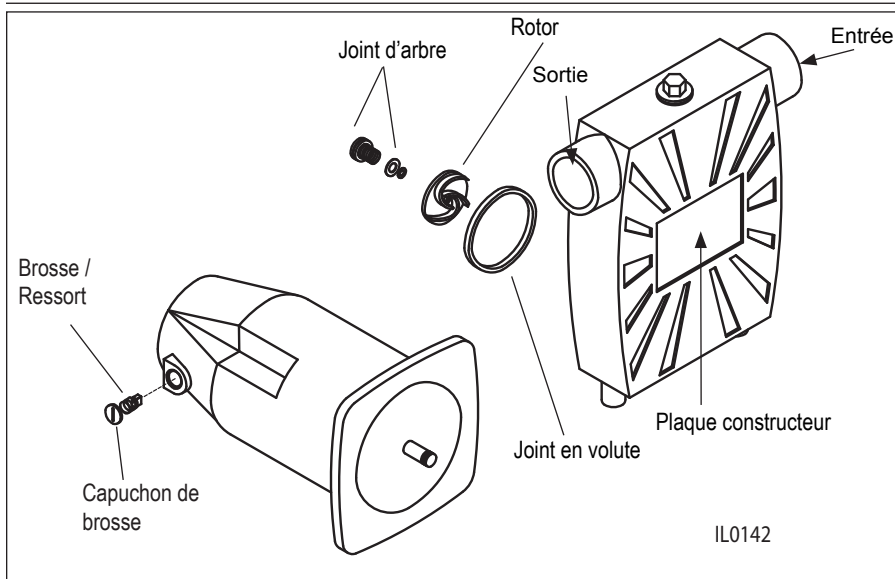
Pour tout autre problème, consultez le tableau de recherche des causes de pannes.

SPÉCIFICATIONS

Moteur 1/2 HP, monophasé, 115 V, 60 Hz, 8.000 RPM
Fonctionnement au courant alternatif, à enroulement série
(de type brosse)

Température maximale des fluides 49° C (120° F)

Ouvertures d'admission / refoulement 3/4 po. (1,9 cm) NPT



LISTE DES PIÈCES DE RECHANGE			
N° de réf.	Description	N° de pièce	Quantité exigée
1	Kit de brosses	015846	1
2	Rotor et kit d'étanchéité	150380 Pompe Rev. C**	1

* Le kit comprend une paire de brosses.
**Voir la plaque constructeur.

PERFORMANCE

Water-Mover « HAUTE CAPACITÉ » MODÈLE 314
Courbe de performance

