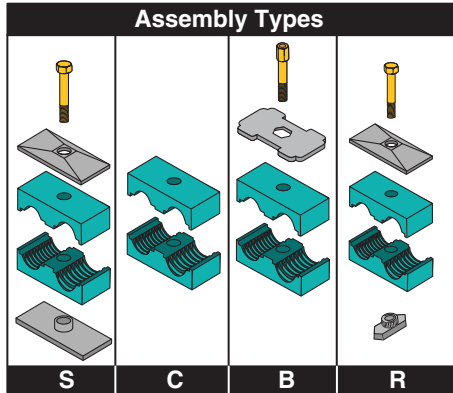


BETA CLAMPS

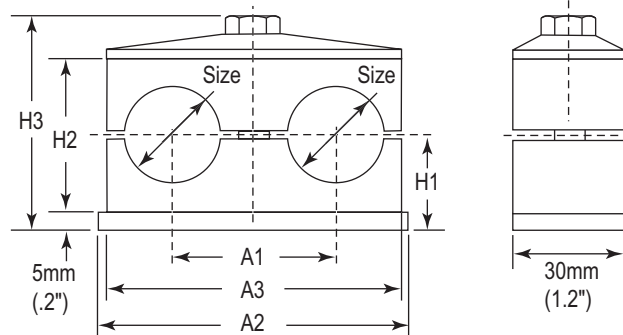
TWIN SERIES



BETA CLAMPS TWIN SERIES are ideal for general-duty applications subject to moderate levels of shock and vibration. Cushions in this series are Polypropylene (Green Color).

Call factory for additional sizes and cushion materials

INSTALLATION - Refer to pages 115-116 for complete installation guide.



Group	Steel Part No.	Stainless Steel Part No.	Tube Size	Pipe Size	Dimensions - inch (mm)						WT/100	Hex Bolt
					A1	A2	A3	H1	H2	H3		
T1	T-1004	T-1004-SS	1/4 (0.250)	-							21	1/4"-20 x 1-3/8"
	T-1006	T-1006-SS	3/8 (0.375)	-	0.78 (20)	1.45 (37)	1.41 (36)	0.72 (18.5)	1.06 (27)	1.69 (43)	21	
	T-1007	T-1007-SS	-	1/8 (0.405)							21	
T2	T-2008	T-2008-SS	1/2" (0.500)	-							31	5/16"-18 x 1-3/8"
	T-2009	T-2009-SS	-	1/4 (0.540)	1.14 (29)	2.16 (55)	2.08 (53)	0.70 (18)	1.02 (26)	1.71 (43.5)	31	
	T-2010	T-2010-SS	5/8 (0.625)	-							31	
	T-2011	T-2011-SS	-	3/8 (0.675)							31	
T3	T-3012	T-3012-SS	3/4 (0.750)	-							40	5/16"-18 x 1-3/4"
	T-3014	T-3014-SS	-	1/2 (0.840)	1.41 (36)	2.75 (70)	2.63 (67)	0.92 (23.5)	1.45 (37)	2.14 (54.5)	39	
	T-3015	T-3015-SS	7/8 (0.875)	-							39	
	T-3016	T-3016-SS	1 (1.000)	-							38	
T4	T-4017	T-4017-SS	-	3/4 (1.050)	1.77 (45)	3.34 (85)	3.22 (82)	1.02 (26)	1.65 (42)	2.34 (59.5)	49	5/16"-18 x 2"
	T-4018	T-4018-SS	1-1/8 (1.125)	-							49	
T5	T-5020	T-5020-SS	1-1/4 (1.250)	-							65	5/16"-18 x 2-3/8"
	T-5021	T-5021-SS	-	1 (1.315)	2.20 (56)	4.33 (110)	4.17 (106)	1.25 (32)	2.12 (54)	2.81 (71.5)	65	
	T-5024	T-5024-SS	1-1/2 (1.500)	-							64	
	T-5027	T-5027-SS	-	1-1/4 (1.660)							62	

*For additional sizes and stainless steel contact factory.

Note: Add Assembly type to Part No.- Example: T-1004S provides the complete assembly as shown