

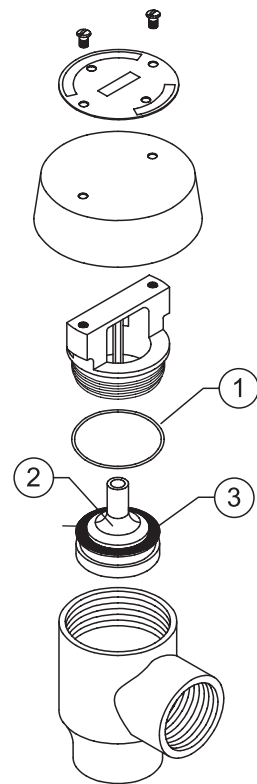
MODEL 35XL

Lead-Free* Atmospheric Vacuum Breaker 1/4" to 2"

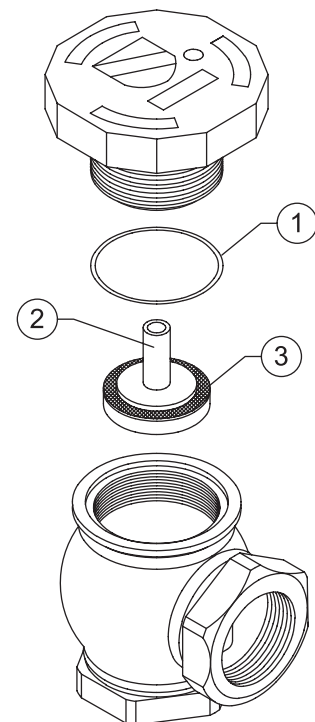
*This product is lead-free, containing a weighted average lead content less than 0.25% for wetted surfaces.

REPAIR KITS

ITEM NO.	QTY.	DESCRIPTION
RK14-35		1/4" AND 3/8" MODEL 35XL
1	1	O-RING
2	1	FLOAT
3	1	SEAL RING
RK12-35		1/2" MODEL 35XL
1	1	O-RING
2	1	FLOAT
3	1	SEAL RING
RK34-35		3/4" MODEL 35XL
1	1	GASKET
2	1	FLOAT
3	1	SEAL RING
RK1-35		1" MODEL 35XL
1	1	GASKET
2	1	FLOAT
3	1	SEAL RING
RK114-35		1 1/4" MODEL 35XL
1	1	GASKET
2	1	FLOAT
3	1	SEAL RING
RK112-35		1 1/2" MODEL 35XL
1	1	GASKET
2	1	FLOAT
3	1	SEAL RING
RK2-35		2" MODEL 35XL
1	1	GASKET
2	1	FLOAT
3	1	SEAL RING



1/4" - 1/2"



3/4" - 2"