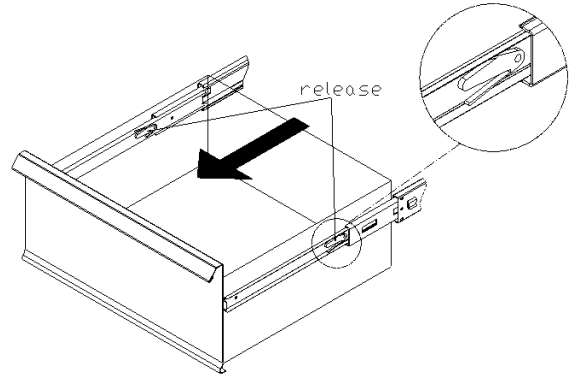




# TROLLEY

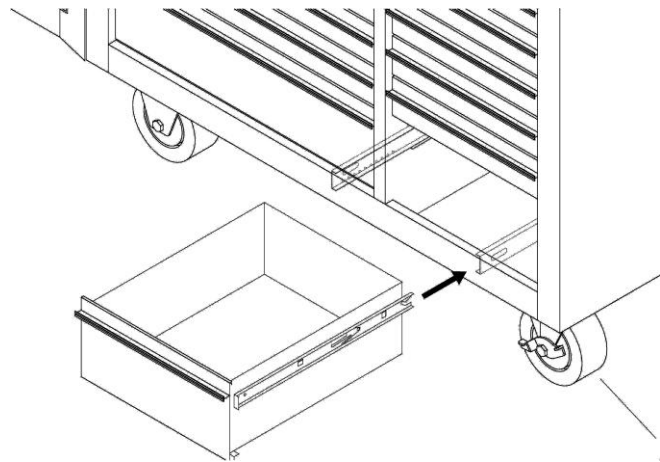
**To remove the drawer:**

1. To remove the drawer, release the retaining clips by pushing the lever up on one side and down on the other side simultaneously.
2. Pull the drawer out.



**To install the drawer:**

Place drawer on the slide rail and push into unit. The user will not need to release or move the retaining clips.



**For Repair Parts, call 1-800-323-0620**

**24 hours a day – 365 days a year**

**Repair Parts List**

Reference Number	Description	Part Number	Qty.
1	Brake caster for 32H894-896.32H888-890.32H885-887	TTPPB26G	1 pair
2	Fix caster for 32H894-896.32H888-890.32H885-887	TTPPF26G	1 pair
3	Brake caster for 32H852 - 857.32H891- 893	TTTPRB42G	1 pair
4	Fix caster for 32H852 - 857.32H891-893	TTTPRF42G	1 pair
5	Brake caster for 32H858-860. 32H861-863	TTPUB5772G	1 pair
6	Fix caster for 32H858-860. 32H861-863	TTPUF5772G	1 pair
7	Key for 32H852-866. 32H885-899	MGC03XXX	1 pair
8	Lock set for 32H852-866. 32H885-899	TTLK003G	1 pc
9.	Key for 32H885-887	MGC02XXX	1 pair
10.	Lock set for 32H885-887	TTLK002G	1 pc

(Please refer to the number on your key/lock for the last three digits.)

