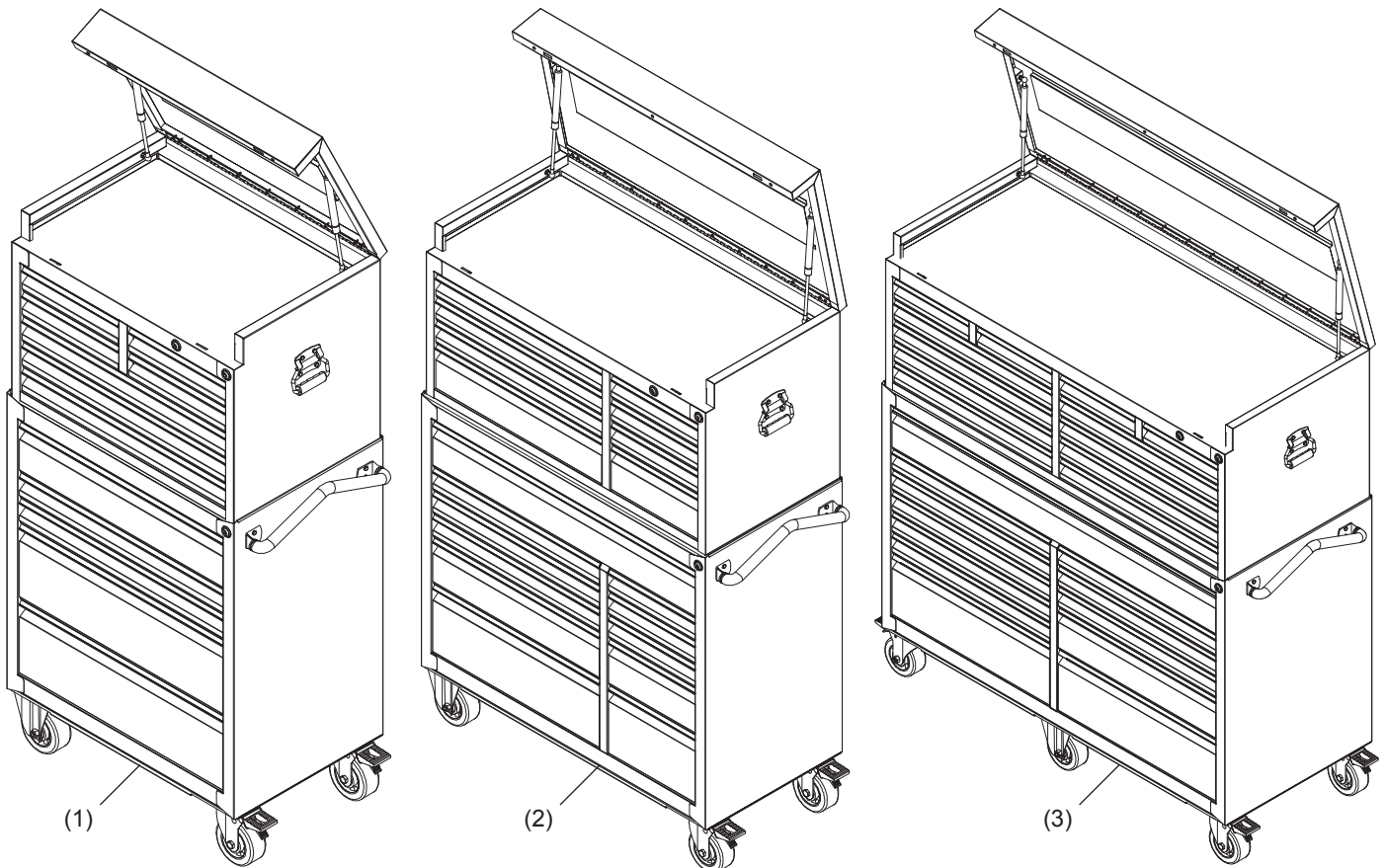


Please read and save these instructions. Read through this owner's manual carefully before using product. Protect yourself and others by observing all safety information, warnings, and cautions. Failure to comply with instructions could result in personal injury and/or damage to product or property. Please retain instructions for future reference.

WESTWARD[®] Tool Chests and Cabinets

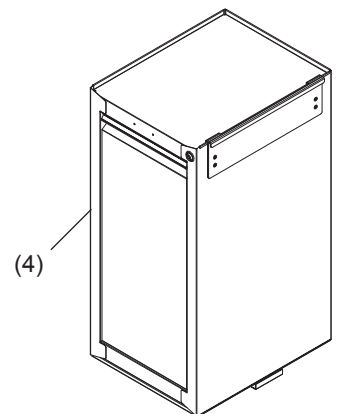


Description

30" (76 cm) 7-drawer tool chest and 30" (76 cm) 5-drawer tool cabinet (1)
41" (104 cm) 8-drawer tool chest and 41" (104 cm) 11-drawer tool cabinet (2)
56" (142 cm) 12-drawer tool chest and 56" (142 cm) 12-drawer tool cabinet (3)
16" (40 cm) power-drawer side cabinet (4)

Unpacking

After unpacking unit, inspect carefully for any damage that may have occurred during transit. Check for loose, missing, or damaged parts. Shipping damage claims must be filed with carrier.



WESTWARD® Tool Chests and Cabinets

Specifications and Dimensions

Model	Description and colour	Dimensions (Inches/Centimeters)			Weight (lbs/kgs)	Capacity (in ³ /cm ³)	Weight Capacity (lbs/kgs) *
		Width	Depth	Height			
34F755	30" (76 cm) 7-drawer chest – red	30/76	20/50	22/56.7	125.71/57.04	5270/86360	500/226.8
34F756	30" (76 cm) 7-drawer chest – black	30/76	20/50	22/56.7	125.71/57.04	5270/86360	500/226.8
34F757	30" (76 cm) 7-drawer chest – blue	30/76	20/50	22/56.7	125.71/57.04	5270/86360	500/226.8
34F758	30" (76 cm) 5-drawer cabinet – red	30/77.6	20/51	41/104.8	160.77/72.94	12338/202184	1000/453.6
34F759	30" (76 cm) 5-drawer cabinet – black	30/77.6	20/51	41/104.8	160.77/72.94	12338/202184	1000/453.6
34F760	30" (76 cm) 5-drawer cabinet – blue	30/77.6	20/51	41/104.8	160.77/72.94	12338/202184	1000/453.6
34F761	41" (104 cm) 8-drawer chest – red	41/104	20/50	22/56.7	160.34/72.75	7606/124640	650/294.8
34F762	41" (104 cm) 8-drawer chest – black	41/104	20/50	22/56.7	160.34/72.75	7606/124640	650/294.8
34F763	41" (104 cm) 8-drawer chest – blue	41/104	20/50	22/56.7	160.34/72.75	7606/124640	650/294.8
34F764	41" (104 cm) 11-drawer cabinet – red	41/105.6	20/51	41/104.8	251.41/114.07	12835/210328	1100/499
34F765	41" (104 cm) 11-drawer cabinet – black	41/105.6	20/51	41/104.8	251.41/114.07	12835/210328	1100/499
34F766	41" (104 cm) 11-drawer cabinet – blue	41/105.6	20/51	41/104.8	251.41/114.07	12835/210328	1100/499
34F767	56" (142 cm) 12-drawer chest – red	55/140.6	24/60	22/56.8	268.30/121.74	12328/202020	1000/453.6
34F768	56" (142 cm) 12-drawer chest – black	55/140.6	24/60	22/56.8	268.30/121.74	12328/202020	1000/453.6
34F769	56" (142 cm) 12-drawer chest – blue	55/140.6	24/60	22/56.8	268.30/121.74	12328/202020	1000/453.6
34F770	56" (142 cm) 12-drawer cabinet – red	56/142.24	24/60.96	41/104.8	385.67/174.99	27742/454610	1250/567
34F771	56" (142 cm) 12-drawer cabinet – black	56/142.24	24/60.96	41/104.8	385.67/174.99	27742/454610	1250/567
34F772	56" (142 cm) 12-drawer cabinet – blue	56/142.24	24/60.96	41/104.8	385.67/174.99	27742/454610	1250/567
34F773	16" (40 cm) power-drawer side cabinet – red	16/40.3	20/51	35/88.3	75.47/34.24	6037/98929	200/90.7

* Weight capacity is for combination of chests, roller cabinets, side cabinets.

WESTWARD® Tool Chests and Cabinets

Specifications and Dimensions (continued)

Model	Description and colour	Dimensions (Inches/Centimeters)			Weight (lbs/kgs)	Capacity (in ³ /cm ³)	Weight Capacity (lbs/kgs) *
		Width	Depth	Height			
34F774	30" (76 cm) 7-drawer chest – stainless steel	30/76	20/50	22/56.7	138.53/62.86	5270/86360	500/226.8
34F775	30" (76 cm) 5-drawer cabinet – stainless steel	30/77.6	20/51	41/102	168.46/76.44	12338/202184	1000/453.6
34F776	41" (104 cm) 8-drawer chest – stainless steel	41/104	20/50	22/56.7	160.34/72.75	7606/124640	650/294.8
34F777	41" (104 cm) 11-drawer cabinet – stainless steel	41/105.6	20/51	41/102	266.59/120.96	12835/210328	1100/499
34F778	56" (142 cm) 12-drawer chest – stainless steel	55/140.6	24/60	22/56.8	274.38/124.49	12328/202020	1000/453.6
34F779	56" (142 cm) 12-drawer cabinet – stainless steel	56/142.24	24/60.96	41/102	382.68/173.63	27742/454610	1250/567

* Weight capacity is for combination of chests, roller cabinets, side cabinets.

General Safety Information

Be sure to read and understand all safety instructions in this manual before using this product. Failure to follow all instructions may result in product damage and/or serious personal injury.

SYMBOL MEANINGS

⚠ DANGER Failure to obey this warning **WILL** result in death or serious injury to yourself or to others. Always follow the safety precautions to reduce the risk of personal injury.

⚠ WARNING Failure to obey this safety warning **CAN** result in death or serious injury to yourself or to others. Always follow the safety precautions to reduce the risk of personal injury.

⚠ CAUTION Failure to obey this safety warning **MAY** result in personal injury to yourself or others or property damage. Always follow the safety precautions to reduce the risk of personal injury.

IMPORTANT SAFETY INSTRUCTIONS

⚠ WARNING

Do not attempt to lift the chest by its side handles using chains, ropes or other lifting devices, if two people cannot

lift the chest. Use a forklift placed under the bottom of the chest if this situation occurs. The side handle could fail, which can cause personal injury or damage to the product.

Do not stand or lean on this product.

Wear safety glasses when removing or repositioning the drawer slides. The tool could slip, which can cause personal injury.

Do not tow with power equipment. The product could tip, which could cause personal injury or product damage.

Do not alter this product in any manner. For example, do not weld external lockbars or attach electrical equipment. This could cause product damage or personal injury.

To prevent the chest from tipping over, fasten the screws to connect the chest and cabinet.

Close the cover and lock the drawers before moving this product. The drawers could come open and make the product unstable and tip, which could cause personal or product damage. Failure to do so could cause the chest to slide off, which could cause personal injury or product damage.

⚠ CAUTION

When moving this product, do not pull it. Push the product to prevent personal injury.

WESTWARD Tool Chests and Cabinets

Use the brakes when not moving this product. This will prevent the product from rolling, which may cause personal injury or product damage.

Be careful when opening more than one drawer. The product could become unstable and tip, which may cause personal injury or product damage.

Secure this product properly before moving it with a forklift.

Keep the product on level surfaces. The product could become unstable and tip if stored or moved on an uneven surface, which may cause personal injury or product damage.

Be careful when closing the cover. Remove hands before the cover closes completely to prevent personal injury.

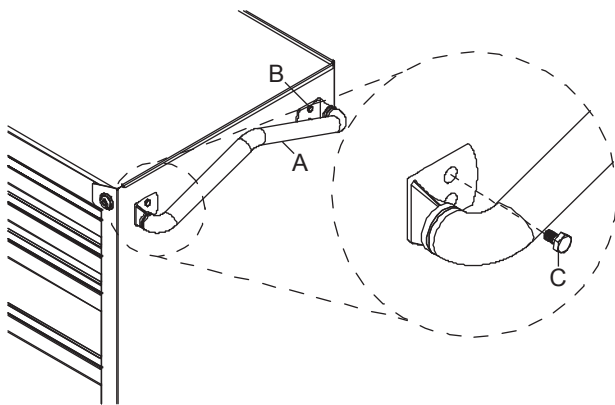
The load capacity of the side handles is 200 lbs (90 kgs) when used in tandem.

The maximum weight for each drawer should be no more than 100 lbs (45 kgs).

Assembly

CABINET HANDLE INSTALLATION

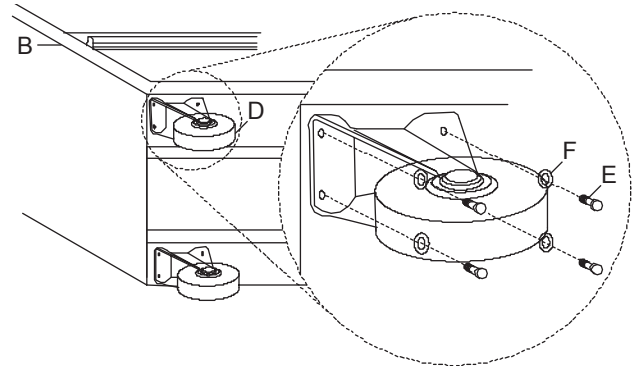
Position the cabinet handle (A) over the holes in the side of the roller cabinet (B) and attach with the four M6x12 hex bolts (C) provided. Tighten securely with a 10 mm socket.



CASTER INSTALLATION

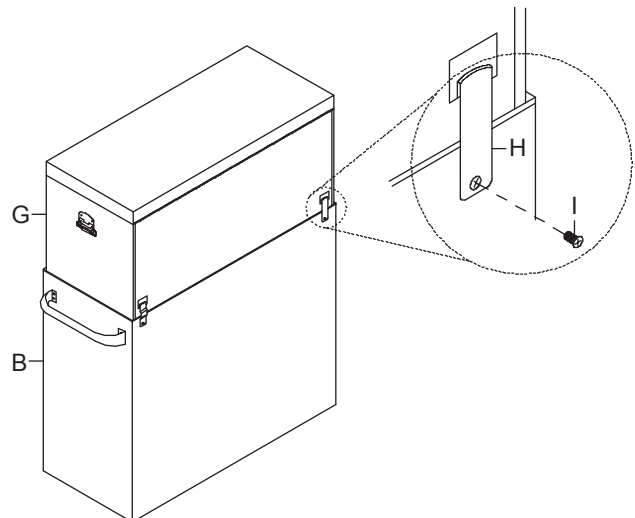
Carefully lay the roller cabinet (B) on its back with a soft mat underneath to protect the finish. Position the two swivel casters (D) on the bottom of the roller cabinet on the same side of the roller cabinet as the side handle. Insert the M8x20 hex bolts (E) through one washer (F) each, then through one caster and into the bottom of the roller cabinet. Tighten securely with a 14 mm socket. Repeat with the other swivel caster.

Repeat for the two rigid casters on the other side of the roller cabinet.



CHEST AND ROLLER CABINET CONNECTION

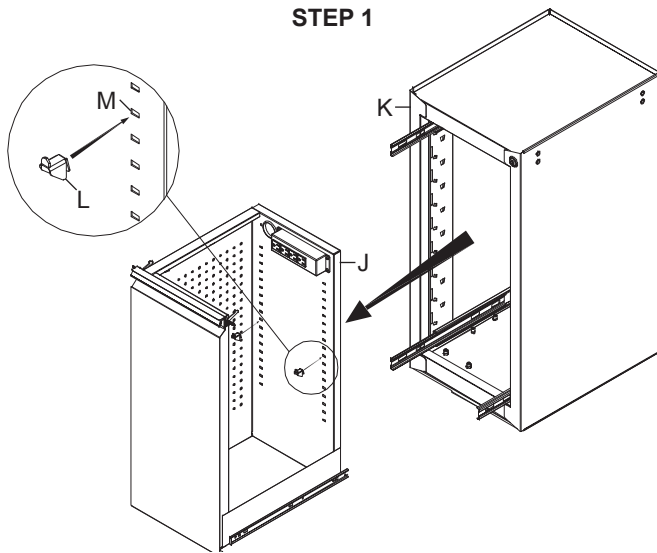
Place the chest (G) on the roller cabinet (B). Attach the connectors (H) to the chest, making sure the hook head snaps in the square hole on the back of the chest. Fasten the connectors to the back of the roller cabinet with M6x12 screws (I).



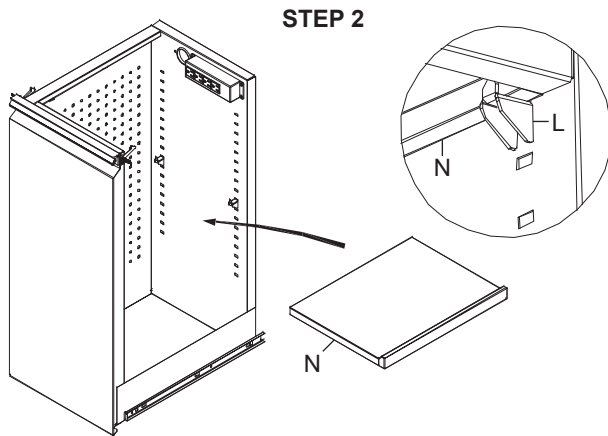
WESTWARD® Tool Chests and Cabinets

SIDE CABINET ADJUSTABLE SHELF INSTALLATION

STEP 1. Remove the drawer (J) from the side cabinet (K). Then insert the four shelf supports (L) into the pegboard holes (M) on the front and back of the drawer at the desired level.

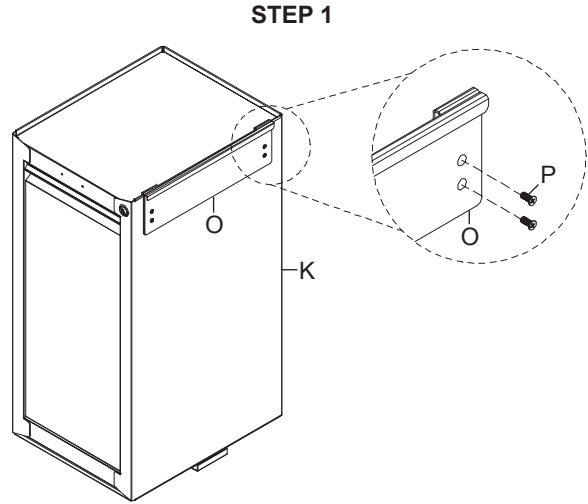


STEP 2. Place the shelf (N) on the shelf supports (L) and re-install the drawer in the side cabinet.

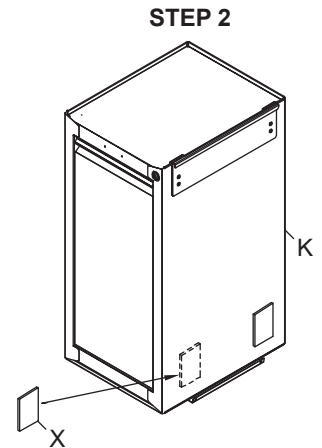


SIDE CABINET CONNECTION

STEP 1. Position the hanger (O) over the holes in the side cabinet (K). Attach with the four M6x16 countersink head screws (P) provided and tighten securely. The hanger will mount on either side of the side cabinet.

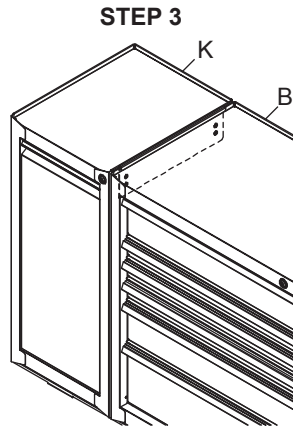


STEP 2. Stick two self-adhesive EVA liners (X) on the right side of the side locker (K) at the locations indicated in the illustration.

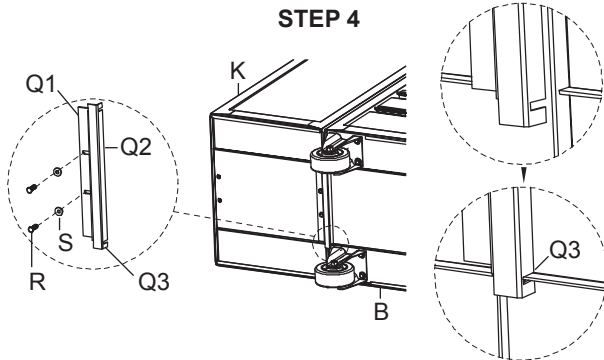


WESTWARD® Tool Chests and Cabinets

STEP 3. Hang the side cabinet (K) on the top lip of the roller cabinet (B). The side cabinet will accept the side handle of your roller cabinet.



STEP 4. Make sure the drawers of both cabinets are empty, then lay the two cabinets on their backs on a protective surface. Position the connecting channel (Q1) on the bottom of the cabinets, with its lip (Q2) over the side edge of the roller cabinet (B) and its two slots (Q3) over the front and back edges of the roller cabinet. Attach the connecting channel to the side cabinet with two M6x20 hex bolts (R) threaded through one washer (S) each.



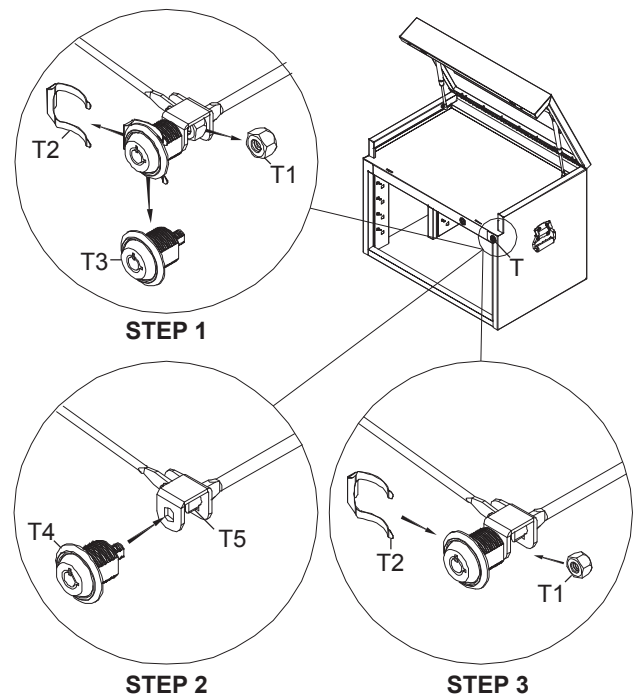
LOCK REPLACEMENT FOR CHESTS

NOTE: Remove all drawers for easy lock removal and installation.

STEP 1. To replace the lock (T) for the entire chest, remove the screw (T1), the locking ring (T2) and the old lock (T3).

STEP 2. Insert the new lock (T4) through the chest and connect it with the lock bar (T5).

STEP 3. Re-insert the locking ring (T2) and the screw (T1), then re-install all the drawers.



WESTWARD® Tool Chests and Cabinets

LOCK REPLACEMENT FOR CHEST SECURITY TILLS

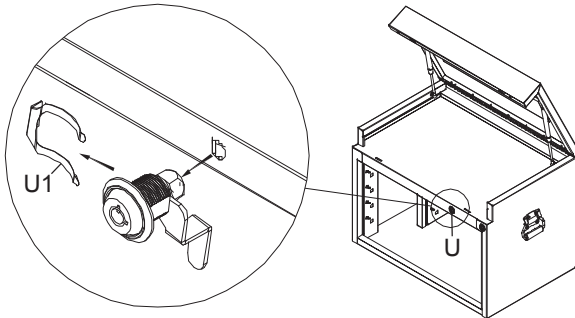
NOTE: Remove all drawers for easy lock removal and installation.

STEP 1. To replace the lock (U) for the security till on the chest, remove the locking ring (U1) and take the lock assembly out of the chest.

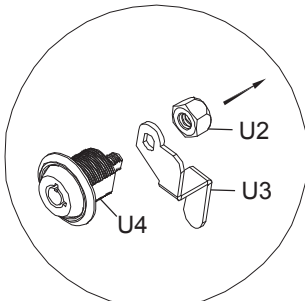
STEP 2. Remove the screw (U2) and take the lock combination (U3) off of the old lock (U4).

STEP 3. Insert the new lock (U5) into the lock combination and replace the screw.

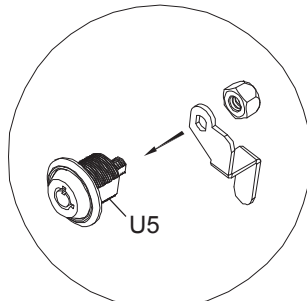
STEP 4. Insert the lock assembly into the chest and connect it with the lock bar, then replace the locking ring (U1). Re-install the drawers.



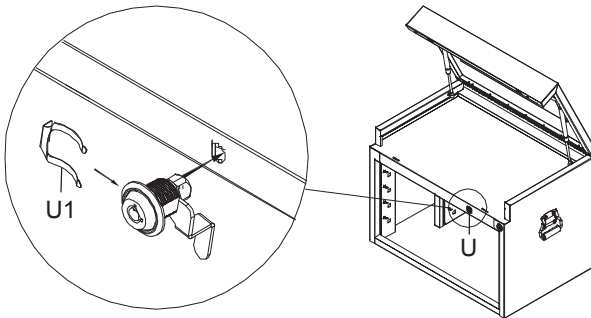
STEP 1



STEP 2



STEP 3



STEP 4

LOCK REPLACEMENT FOR CABINETS

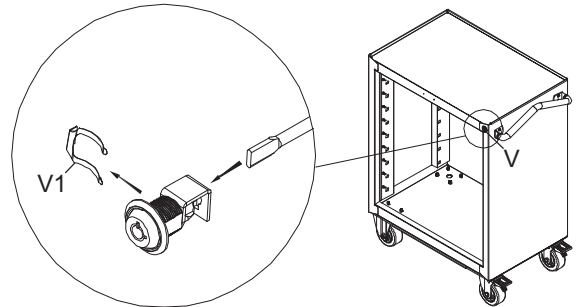
NOTE: Remove all drawers for easy lock removal and installation.

STEP 1. To replace the lock (V) for the cabinet, remove the locking ring (V1) and take the lock assembly out of the cabinet.

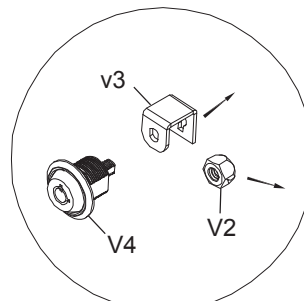
STEP 2. Remove the screw (V2) and take the lock combination (V3) off of the old lock (V4).

STEP 3. Insert the new lock (V5) into the lock combination and replace the screw.

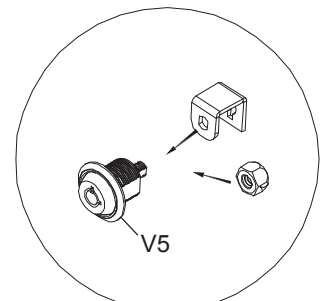
STEP 4. Insert the lock assembly into the chest and connect it with the lock bar (V6), then replace the locking ring (V1). Re-install the drawers.



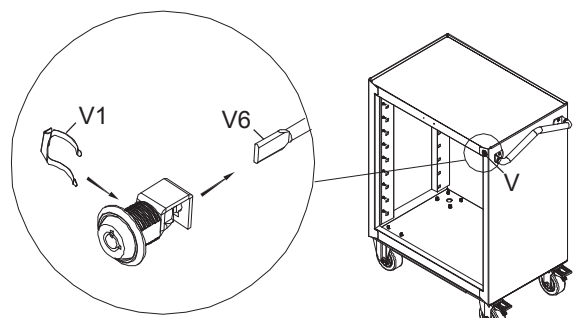
STEP 1



STEP 2



STEP 3



STEP 4

WESTWARD® Tool Chests and Cabinets

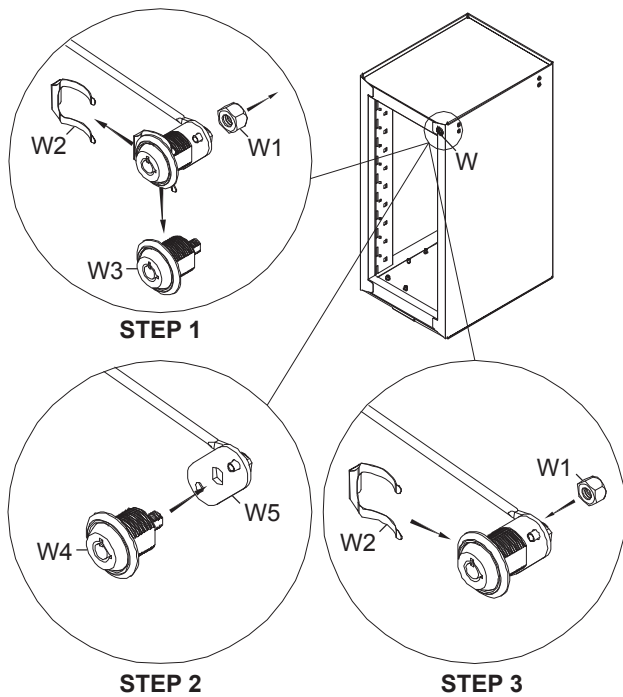
LOCK REPLACEMENT FOR SIDE CABINETS

NOTE: Remove all drawers for easy lock removal and installation.

STEP 1. To replace the lock for the side cabinet (W), remove the screw (W1), the locking ring (W2) and the old lock (W3).

STEP 2. Insert the new lock (W4) through the side cabinet and connect it with the lock bar (W5).

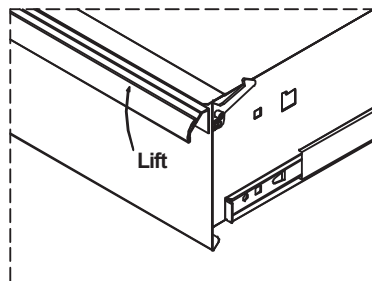
STEP 3. Re-insert the locking ring (W2) and the screw (W1), then re-install all the drawers.



Operation

RAISE AND RELEASE DRAWER FRONTS

These units are equipped with the raise and release drawer fronts. To open, lift up on the drawer front while pulling towards you. To close, shut the drawer firmly until the latch engages.

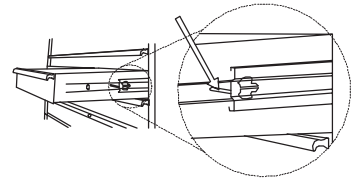


If the drawer does not stay closed, the hook may be bent or may be rubbing against the drawer slides. To fix this problem, lightly bend the hook until the drawer engages in the slide.

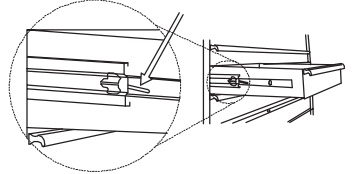
TO REMOVE DRAWERS

Pull the drawer out so it's almost fully extended. Push up on the right hand black release lever, while pulling down on the left hand black release lever. While holding the levers in the positions as instructed above, pull the drawer outward until it is released from the drawer slide.

Right – Push Up



Left – Push Down

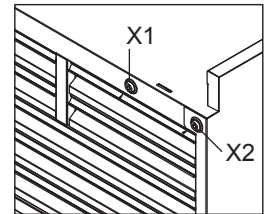


TO INSTALL DRAWERS

Extend the drawer slides from the chest/cabinet. Insert the brackets on each side of the drawer into the slots in the chest/cabinet slides, being careful that they are properly positioned. Once properly inserted, completely close the drawer to set the slides in their proper positions.

TO LOCK/UNLOCK

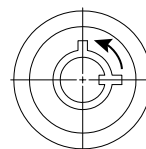
Chests have two locks, one (X1) for locking the security drawer and one (X2) for locking the entire unit. When the chest is locked, the drawers cannot be opened. When the chest is unlocked, the security drawer can be locked or unlocked.



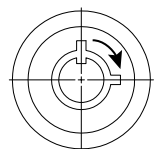
Cabinets have only one lock (X2) for locking the entire unit.

Close all the drawers and the lid before locking the security drawer and/or the unit. To lock, insert the key and turn 90 degrees counter clockwise. To unlock, insert the key and turn 90 degrees clockwise.

To Lock:
Turn Counter-clockwise



To Unlock:
Turn Clockwise



WESTWARD® Tool Chests and Cabinets

Maintenance

Lubricate the casters with high quality bearing grease, once a year.

Lubricate the slides, twice a year.

Periodically clean the drawer fronts, drawer trim, and other surfaces with mild detergent and water.

Auto wax will preserve the storage unit's luster finish. Apply the wax as you would to a car. The wax will also help protect the unit against scratches.

Grease and oil can be removed with most standard cleaning fluids. For safety, use a nonflammable cleaning fluid.

Warranty

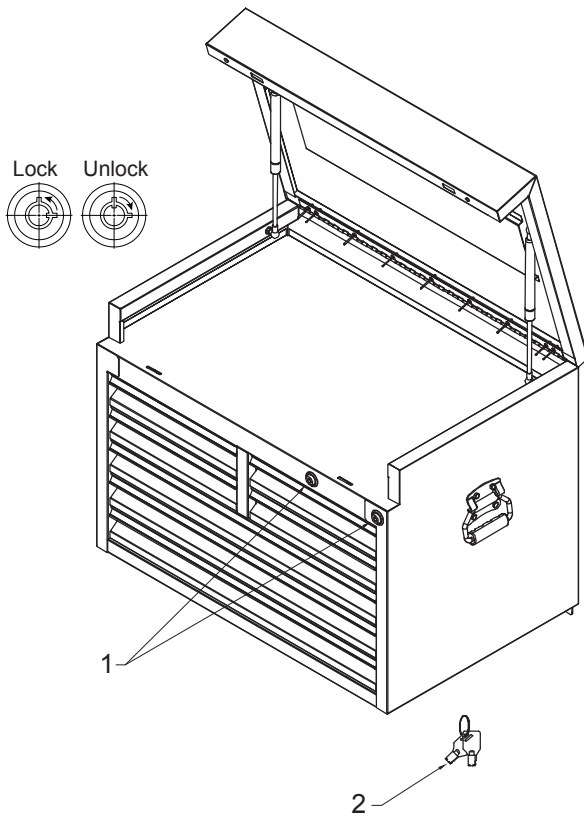
LIMITED ONE-YEAR WARRANTY

Should this product fail to perform satisfactorily due to a defect or poor workmanship within ONE YEAR from the date of purchase, return it to the place of purchase and it will be replaced, free of charge. Incidental or consequential damages are excluded from this warranty.

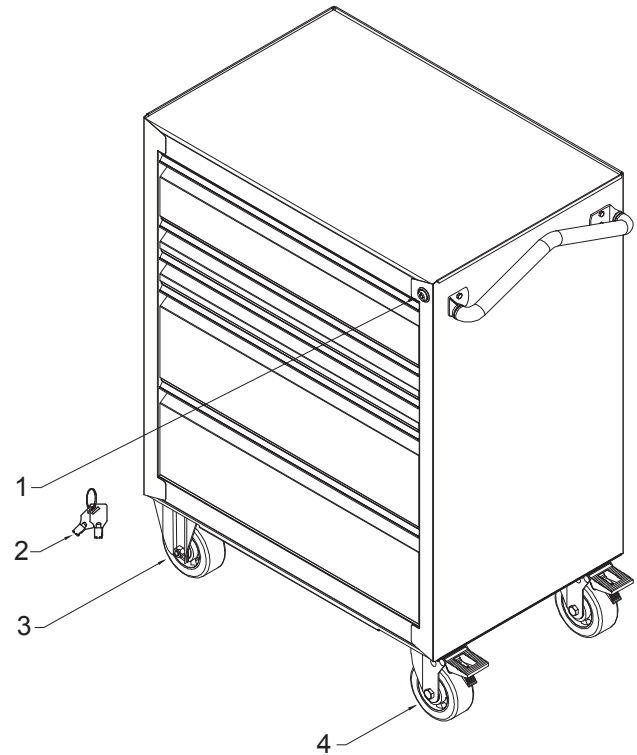
WESTWARD® Tool Chests and Cabinets

For Repair Parts, call 1-800-323-0620

24 hours a day – 365 days a year



The keys are taped to the top storage area of the chest.



The keys are taped to the bottom drawer of the cabinet.

Repair Parts List for Chests (Models: 34F755, 34F756, 34F761, 34F762, 34F767, 34F768, 34F774, 34F776, 34F778)

Ref #	Description	Part Number	Qty.	Qty/Pack
1	Lock	38VK64–38VK88*	2	1
2	Keys	QCI010XX**	2	1

* See page 12 for full lock and key replacement part listing.

** Please refer to the number on the key/lock for the last two digits.

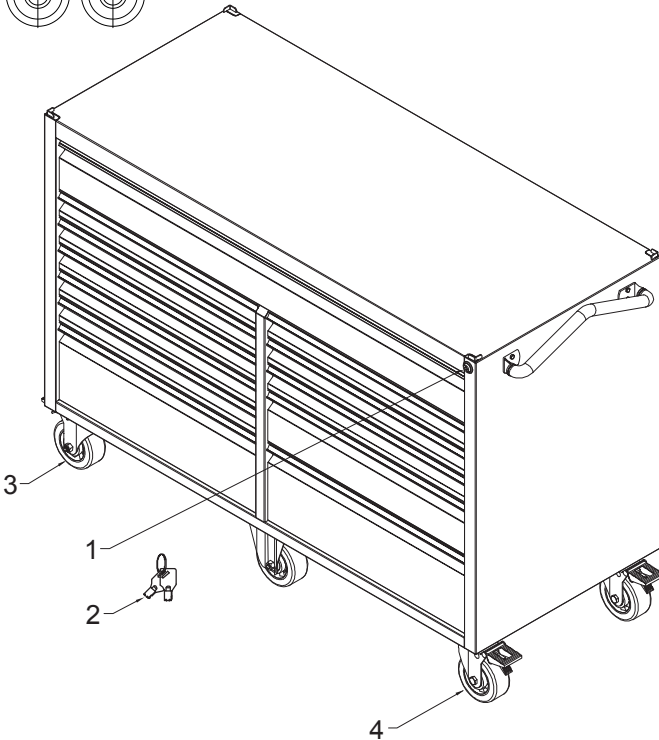
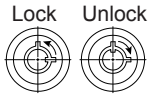
Repair Parts List for 30" (76 cm) and 41" (104 cm) Roller Cabinets (Models: 34F758, 34F759, 34F764, 34F765, 34F775, 34F777)

Ref #	Description	Part Number	Qty.	Qty/Pack
1	Lock	38VK64–38VK88*	1	1
2	Keys	QCI010XX**	2	1
3	Rigid Caster	TTWRCG	2	1
4	Swivel Caster	TTWSCG	2	1

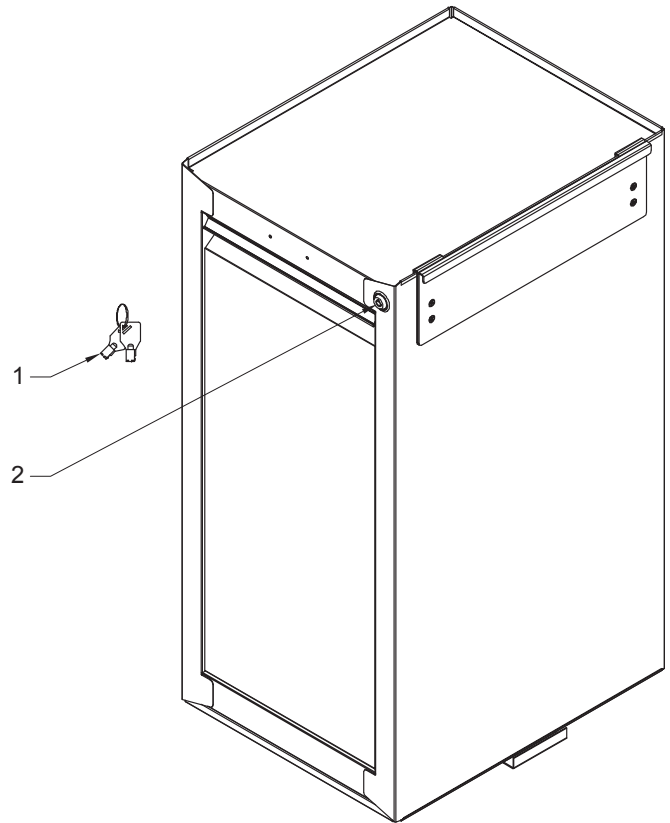
WESTWARD® Tool Chests and Cabinets

For Repair Parts, call 1-800-323-0620

24 hours a day – 365 days a year



The keys are taped to the bottom drawer of the cabinet.



The keys are taped to the shelf.

Repair Parts List for 56" (142 cm) Roller Cabinets (Models: 34F770, 34F771, 34F779)

Ref #	Description	Part Number	Qty.	Qty/Pack
1	Lock	38VK64–38VK88*	1	1
2	Keys	QCI010XX**	2	1
3	Rigid Caster	TTWRCG	2	1
4	Swivel Caster	TTWSCG	4	1

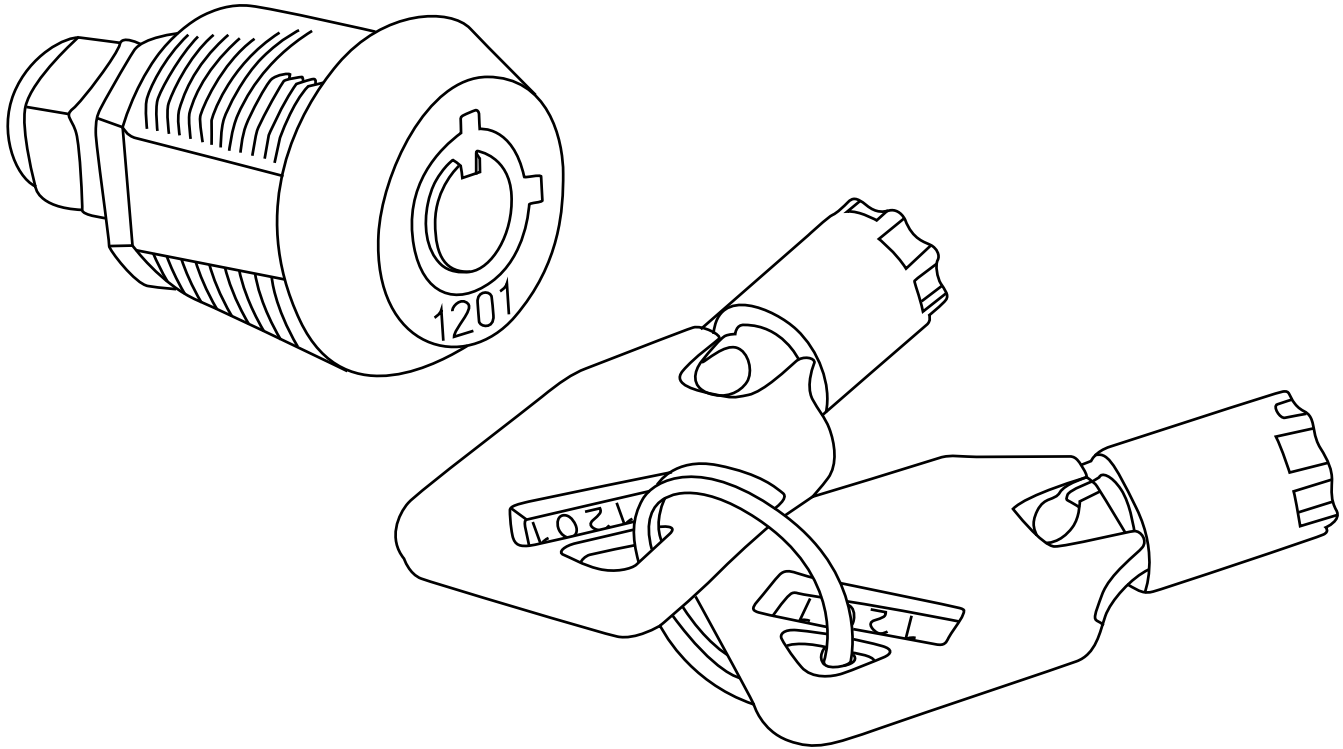
Repair Parts List for Side Cabinet (Model: 34F773)

Ref #	Description	Part Number	Qty.	Qty/Pack
1	Lock	38VK64–38VK88*	1	1
2	Keys	QCI010XX**	2	1

* See page 12 for full lock and key replacement part listing.
** Please refer to the number on the key/lock for the last two digits.

WESTWARD® Tool Chests and Cabinets

Lock and Key Replacement Parts



Face of Lock/ Key Reads	Tubular Lock with 2 Keys	Set of Keys
1201	38VK64	QCI01001
1202	38VK65	QCI01002
1203	38VK66	QCI01003
1204	38VK67	QCI01004
1205	38VK68	QCI01005
1206	38VK69	QCI01006
1207	38VK70	QCI01007
1208	38VK71	QCI01008
1209	38VK72	QCI01009
1210	38VK73	QCI01010
1211	38VK74	QCI01011
1212	38VK75	QCI01012
1213	38VK76	QCI01013

Face of Lock/ Key Reads	Tubular Lock with 2 Keys	Set of Keys
1214	38VK77	QCI01014
1215	38VK78	QCI01015
1216	38VK79	QCI01016
1217	38VK80	QCI01017
1218	38VK81	QCI01018
1219	38VK82	QCI01019
1220	38VK83	QCI01020
1221	38VK84	QCI01021
1222	38VK85	QCI01022
1223	38VK86	QCI01023
1224	38VK87	QCI01024
1225	38VK88	QCI01025