



TRUCK AND VAN EQUIPMENT

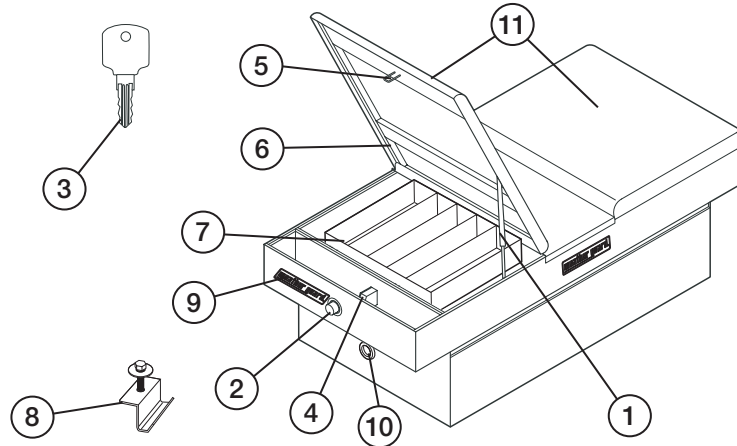
REPLACEMENT PARTS

STEEL & ALUMINUM CROSS BOX
MODELS 114-0-01 THRU 125-5-01

FOR REPLACEMENT PARTS GO TO WWW.WEATHERGUARD.COM

For Customer Service
call toll free:
1-800-456-7865

Parts service current models listed below as Model#-Color-01 Series which began in 2005.



ITEM	PART No.	DESCRIPTION	FITS MODEL #
1	900-2PK	Gas Springs	125-3-01, 125-5-01
1	7900-2PK	Gas Springs	115-3-01
1	7917-2PK	Gas Springs	114-0-01, 114-5-01, 124-0-01, 124-5-01
2	7748-1PK	EXTREME PROTECTION™ Replacement Lock (Single lock with keys, no specific key code)	All Model#-Color-01 Series Cross Boxes. Specific key codes can be ordered through a distributor.
3	7750-XX	Key Replacement (XX = key code) (2 keys)	For retracting style Red Pushbutton locks
4	7732	Latch & Striker Kit (1 latch, 1 striker, & mounting hardware)	All Model#-Color-01 Series Cross Boxes
5	7106-1PK	Striker Kit (1 striker and mounting hardware)	All Model#-Color-01 Series Cross Boxes
6	7730	Weather Strip Kit (various styles for 1 box)	All Cross Boxes
7	615	Tray (1 tray plus dividers)	124-0-01, 124-5-01, 125-3-01, 125-5-01
7	617	Tray (1 tray plus dividers)	114-0-01, 114-5-01, 115-3-01 <i>*Dividers not sold separately</i>
8	7733	Mounting Kit (4 mounting clamps, 4 bolts, 4 washers, 2 mount pads)	All Cross Boxes
9	7746	Nameplate Kit (3 stickers, 2 side bezels, 1 front bezel & rivets)	All Model#-Color-01 Series Cross Boxes
10	7749	Grommet Kit	All Model#-Color-01 Series Cross Boxes
11	7796-0	Cover	114-0-01
11	7796-5	Cover	114-5-01
11	7873-3	Cover	115-3-01
11	7797-0	Cover	124-0-01
11	7797-5	Cover	124-5-01
11	7874-3	Cover	125-3-01
11	7874-5	Cover	125-5-01

Please note, in the model numbers above: 0 = Clear, 3 = White, 5 = Black. XX = Key Code.