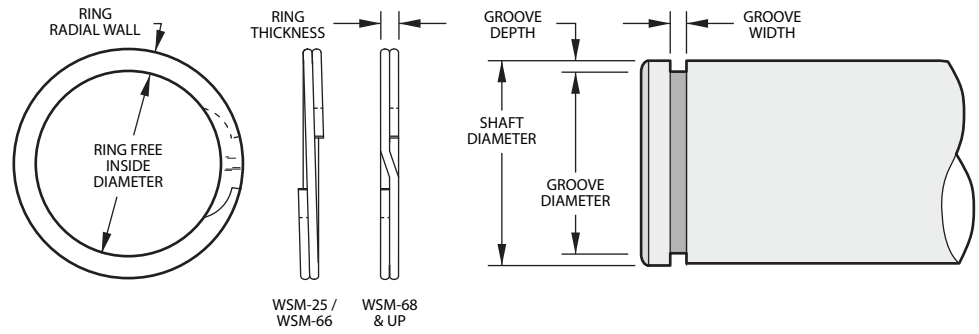




AS 3216, AS 4299  
MIL-DTL-27426/2

### Product Dimensions

All dimensions are in inches unless otherwise specified.



Stock Items in carbon and stainless steel.

Smalley Part Number <sup>1, 4</sup>	Shaft Diameter	RING			GROOVE		THRUST CAPACITY	
		Inside Diameter	Radial Wall	Thickness	Diameter	Width	Groove Yield (lb) <sup>2</sup>	Ring Shear (lb) <sup>3</sup>
WSM-25	.250	.228	.020	.025	.230	.029	177	961
WSM-31	.312	.287	.025	.025	.290	.029	243	1,200
WSM-37	.375	.349	.030	.025	.352	.029	305	1,442
WSM-43	.437	.409	.035	.025	.412	.029	386	1,680
WSM-46	.469	.439	.045	.025	.443	.029	430	1,880
WSM-50	.500	.464	.050	.035	.468	.039	570	2,530
WSM-55	.551	.514	.050	.035	.519	.039	620	2,790
WSM-56	.562	.525	.050	.035	.530	.039	640	2,840
WSM-59	.594	.554	.050	.035	.559	.039	760	3,000
WSM-62	.625	.583	.055	.035	.588	.039	840	3,160
WSM-66	.669	.623	.055	.035	.629	.039	950	3,380
WSM-68	.688	.641	.065	.042	.646	.046	1,020	4,180
WSM-75	.750	.698	.065	.042	.704	.046	1,220	4,550
WSM-78	.781	.727	.065	.042	.733	.046	1,330	4,740
WSM-81	.812	.756	.065	.042	.762	.046	1,440	4,930
WSM-87	.875	.814	.075	.042	.821	.046	1,670	5,310
WSM-93	.938	.875	.075	.042	.882	.046	1,860	5,690
WSM-98	.984	.919	.085	.042	.926	.046	2,020	5,970
WSM-100	1.000	.932	.085	.042	.940	.046	2,120	6,070
WSM-102	1.023	.953	.085	.042	.961	.046	2,240	6,210
WSM-106	1.062	.986	.103	.050	.998	.056	2,400	7,010
WSM-112	1.125	1.047	.103	.050	1.059	.056	2,620	7,420
WSM-118	1.188	1.105	.103	.050	1.118	.056	2,940	7,840
WSM-125	1.250	1.163	.103	.050	1.176	.056	3,270	8,250
WSM-131	1.312	1.218	.118	.050	1.232	.056	3,710	8,660
WSM-137	1.375	1.277	.118	.050	1.291	.056	4,080	9,070
WSM-143	1.438	1.336	.118	.050	1.350	.056	4,470	9,490
WSM-150	1.500	1.390	.118	.050	1.406	.056	4,980	9,900
WSM-156	1.562	1.453	.128	.062	1.468	.068	5,190	12,780
WSM-162	1.625	1.513	.128	.062	1.529	.068	5,510	13,290
WSM-168	1.687	1.573	.128	.062	1.589	.068	5,840	13,800
WSM-175	1.750	1.633	.128	.062	1.650	.068	6,190	14,320
WSM-177	1.771	1.651	.128	.062	1.669	.068	6,380	14,490
WSM-181	1.812	1.690	.128	.062	1.708	.068	6,660	14,820
WSM-187	1.875	1.751	.158	.062	1.769	.068	7,020	15,340
WSM-196	1.969	1.838	.158	.062	1.857	.068	7,790	16,110
WSM-200	2.000	1.867	.158	.062	1.886	.068	8,060	16,360
WSM-206	2.062	1.932	.168	.078	1.946	.086	8,450	21,220
WSM-212	2.125	1.989	.168	.078	2.003	.086	9,160	21,870
WSM-215	2.156	2.018	.168	.078	2.032	.086	9,450	22,190
WSM-225	2.250	2.105	.168	.078	2.120	.086	10,340	23,160
WSM-231	2.312	2.163	.168	.078	2.178	.086	10,950	23,800
WSM-237	2.375	2.223	.200	.078	2.239	.086	11,420	24,440
WSM-243	2.437	2.283	.200	.078	2.299	.086	11,890	25,080
WSM-250	2.500	2.343	.200	.078	2.360	.086	12,370	25,730
WSM-255	2.559	2.402	.200	.078	2.419	.086	12,660	26,340
WSM-262	2.625	2.464	.200	.078	2.481	.086	13,360	27,020

EXTERNAL RETAINING RINGS

<sup>1</sup> Add suffix "-S02" for 302 stainless steel, "-S16" for 316 stainless steel.

<sup>2</sup> Based on a groove material yield strength of 45,000 psi and a safety factor of 2.

<sup>3</sup> Based on a safety factor of 3.

<sup>4</sup> See pages 102-103 for How to Order.

Manufactured in USA

Smalley Part Number <sup>1,4</sup>	Shaft Diameter	RING			GROOVE		THRUST CAPACITY	
		Inside Diameter	Radial Wall	Thickness	Diameter	Width	Groove Yield (lb) <sup>2</sup>	Ring Shear (lb) <sup>3</sup>
WSM-268	2.687	2.523	.200	.078	2.541	.086	13,870	27,660
WSM-275	2.750	2.584	.225	.093	2.602	.103	14,390	32,140
WSM-287	2.875	2.702	.225	.093	2.721	.103	15,650	33,600
WSM-293	2.937	2.760	.225	.093	2.779	.103	16,400	34,320
WSM-300	3.000	2.818	.225	.093	2.838	.103	17,180	35,060
WSM-306	3.062	2.878	.225	.093	2.898	.103	17,750	35,790
WSM-312	3.125	2.936	.225	.093	2.957	.103	18,560	36,520
WSM-315	3.156	2.965	.225	.093	2.986	.103	18,960	36,880
WSM-325	3.250	3.054	.225	.093	3.076	.103	19,990	37,980
WSM-334	3.344	3.144	.225	.093	3.166	.103	21,040	39,080
WSM-343	3.437	3.234	.225	.093	3.257	.103	21,870	40,170
WSM-350	3.500	3.293	.270	.111	3.316	.120	22,760	48,820
WSM-354	3.543	3.333	.270	.111	3.357	.120	23,290	49,420
WSM-362	3.625	3.411	.270	.111	3.435	.120	24,340	50,560
WSM-368	3.687	3.469	.270	.111	3.493	.120	25,280	51,430
WSM-375	3.750	3.527	.270	.111	3.552	.120	26,240	52,310
WSM-387	3.875	3.647	.270	.111	3.673	.120	27,670	54,050
WSM-393	3.938	3.708	.270	.111	3.734	.120	28,390	54,930
WSM-400	4.000	3.765	.270	.111	3.792	.120	29,410	55,800
WSM-425	4.250	4.037	.270	.111	4.065	.120	27,940	59,280
WSM-437	4.375	4.161	.270	.111	4.190	.120	28,760	61,030
WSM-450	4.500	4.280	.270	.111	4.310	.120	30,220	62,770
WSM-475	4.750	4.518	.270	.111	4.550	.120	36,930	66,260
WSM-500	5.000	4.756	.270	.111	4.790	.120	37,110	69,740
WSM-525	5.250	4.995	.350	.127	5.030	.139	40,820	83,790
WSM-550	5.500	5.228	.350	.127	5.265	.139	45,880	87,780
WSM-575	5.750	5.466	.350	.127	5.505	.139	49,990	91,770
WSM-600	6.000	5.705	.350	.127	5.745	.139	54,290	95,760
WSM-625	6.250	5.938	.418	.156	5.985	.174	58,760	122,520
WSM-650	6.500	6.181	.418	.156	6.225	.174	63,410	127,420
WSM-675	6.750	6.410	.418	.156	6.465	.174	68,230	132,330
WSM-700	7.000	6.648	.418	.156	6.705	.174	73,230	137,230
WSM-725	7.250	6.891	.418	.156	6.942	.174	78,920	142,130
WSM-750	7.500	7.130	.437	.187	7.180	.209	84,820	176,240
WSM-775	7.750	7.368	.437	.187	7.420	.209	90,390	182,120
WSM-800	8.000	7.606	.437	.187	7.660	.209	96,130	187,990
WSM-825	8.250	7.845	.437	.187	7.900	.209	102,050	193,870
WSM-850	8.500	8.083	.437	.187	8.140	.209	108,150	199,740
WSM-875	8.750	8.324	.437	.187	8.383	.209	113,800	205,620
WSM-900	9.000	8.560	.500	.187	8.620	.209	120,870	211,490
WSM-925	9.250	8.798	.500	.187	8.860	.209	127,500	217,370
WSM-950	9.500	9.036	.500	.187	9.100	.209	134,300	223,240
WSM-975	9.750	9.275	.500	.187	9.338	.209	141,970	229,120
WSM-1000	10.000	9.508	.500	.187	9.575	.209	150,560	234,990
WSM-1025	10.250	9.745	.500	.187	9.814	.209	157,950	240,870
WSM-1050	10.500	9.984	.500	.187	10.054	.209	165,510	246,740
WSM-1075	10.750	10.221	.500	.187	10.293	.209	174,010	252,620
WSM-1100	11.000	10.459	.500	.187	10.533	.209	181,950	258,490
WSM-1125	11.250	10.692	.500	.187	10.772	.209	190,060	264,360
WSM-1150	11.500	10.934	.562	.187	11.011	.209	199,160	270,240
WSM-1175	11.750	11.171	.562	.187	11.250	.209	207,640	276,120
WSM-1200	12.000	11.410	.562	.187	11.490	.209	216,300	281,990
WSM-1225	12.250	11.647	.562	.187	11.729	.209	226,000	287,860
WSM-1250	12.500	11.885	.562	.187	11.969	.209	235,030	293,740
WSM-1275	12.750	12.124	.562	.187	12.208	.209	244,240	299,610
WSM-1300	13.000	12.361	.662	.187	12.448	.209	253,620	305,490
WSM-1325	13.250	12.598	.662	.187	12.687	.209	264,120	311,360
WSM-1350	13.500	12.837	.662	.187	12.927	.209	273,870	317,240
WSM-1375	13.750	13.074	.662	.187	13.166	.209	283,800	323,110
WSM-1400	14.000	13.311	.662	.187	13.405	.209	294,900	328,990
WSM-1425	14.250	13.548	.662	.187	13.644	.209	305,200	334,860
WSM-1450	14.500	13.787	.750	.187	13.884	.209	315,680	340,740
WSM-1475	14.750	14.024	.750	.187	14.123	.209	327,380	346,610
WSM-1500	15.000	14.262	.750	.187	14.363	.209	338,230	352,490

EXTERNAL RETAINING RINGS

<sup>1</sup> Add suffix "-S02" for 302 stainless steel, "-S16" for 316 stainless steel.  
<sup>2</sup> Based on a groove material yield strength of 45,000 psi and a safety factor of 2.  
<sup>3</sup> Based on a safety factor of 3.  
<sup>4</sup> See pages 102-103 for How to Order.