

## WARN® 16.5ti

### Highest capacity, most technologically advanced winch for big trucks

The 16.5ti features the full diagnostic ability of WARN thermometric technology, plus the extreme sealing, durability, and reliability that the WARN ti-series of winches are known for. Series-wound motor combined with a 3-stage planetary geartrain delivers 16,500 lbs. of pulling power. Thermometric indicator LED provides operator feedback on motor temperature.

- Extreme-duty sealing helps protect the winch from the outside elements
- Series-wound, high-speed motor provides fast line speed and strong pulls
  - Exclusive brake design provides superior control while winching
  - Aluminum control box cover for added protection of the electronics
  - Durable 3-stage planetary geartrain for smooth, reliable, operation
- Remote control with 12' (3.7m) lead and thermometric LED indicator for operator feedback
- Chip-resistant powder-coated finish with primer undercoating for superior corrosion protection
  - 90' of 7/16" (27m of 11mm) diameter wire rope
  - Backed by the WARN Limited Lifetime Warranty

#### 16.5ti SPECS

**Part Number:** 68801

**Rated Line Pull:** 16,500 lbs. (7484 kgs) single-line

**Motor:** 12V 4.6 hp, Gen II, Series Wound

**Electrical Control:** Solenoid Control Pack

**Remote control:** Remote switch, with LED indicator 12 ft (3.7m) lead

**Geartrain:** 3-stage planetary

**Gear ratio:** 315:1

**Clutch (freespooling):** Rotating ring gear

**Brake:** Automatic direct drive cone

**Wire rope:** 90 ft, 7/16 in diameter (27m, 11mm diam.)

**Fairlead:** Roller

**Recommended battery:** 650 CCA minimum for winching

**Battery leads:** 2 gauge, 72 ft (1.83m)

**Finish:** High-gloss powder coat over primer undercoating

**Drum diameter/length:** 3.5 in /8.2 in (9cm/21cm)

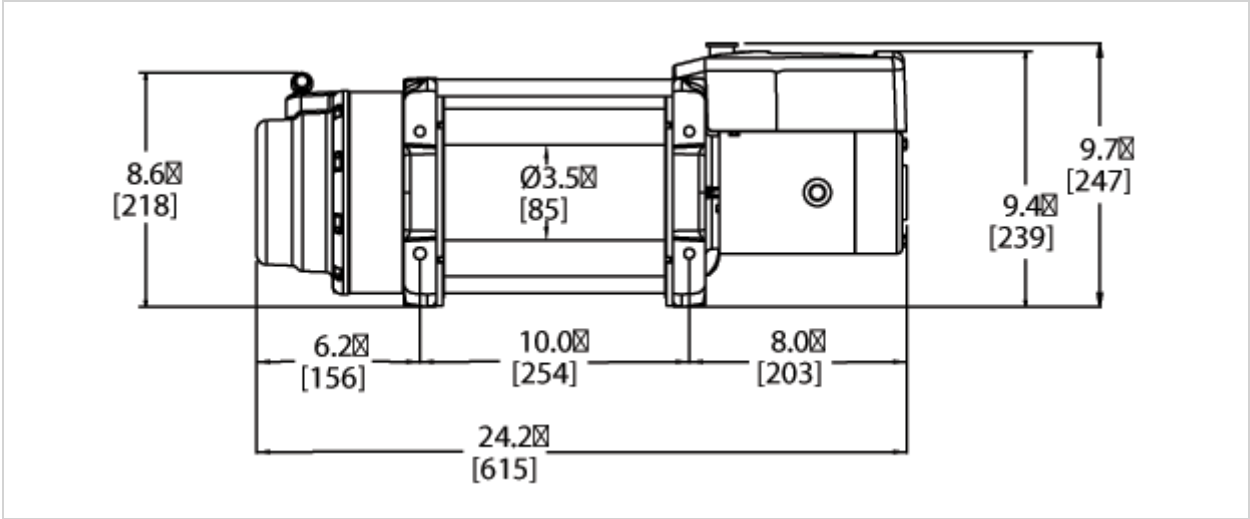
**Weight:** 138 lbs. (63 kgs.)

#### 12V DC PERFORMANCE SPECS

Line Pull Lbs.(Kgs.)	Line Speed FT./min(M/min.)	Motor Current	Pull by layer layer/Lbs(Kgs.)
0	23.6(7.20)	68 amps	1/16500(7484)
2000(907)	12.07(3.68)	138 amps	2/15279(6930)
4000(1814)	9.22(2.81)	189 amps	3/12672(5748)
6000(2721)	7.37(2.25)	240 amps	4/10824(4910)
8000(3628)	6.08(1.85)	291 amps	
10000(4536)	5.12(1.56)	342 amps	
12000(5443)	4.40(1.34)	393 amps	

14000(6350)	3.86(1.18)	444 amps
16000(7257)	3.38(1.03)	494 amps
16500(7484)	3.24(0.99)	507 amps

Above performance specs are based on first layer of drum



**Winch Dimensions:** 24.2" L. x 8.5" D. x 9.7" H.  
(628mm L. x 216mm D. x 247mm H.)  
**Mounting Bolt Pattern:** 10.0" x 4.5" (254mm x 114.3mm)