

WARN® M15000

Enough capacity for the heaviest loads

A heavy-duty 15,000 lb. capacity winch with a 4.6hp series wound motor. Direct drive cone braking system. Control pack is designed for clearance and ease of access. Comes with 90' of 7/16" wire rope.

- High strength carrier plates are designed to handle heavy gear train stresses
- Series-wound, high-speed motor provides fast line speed and strong pulls
 - Brake provides superior control while winching
 - Remote-mount control box allows for various mounting options
- Durable 3-stage planetary geartrain for smooth, reliable, operation
 - Remote control with 12' (3.7m) lead
 - Chip-resistant powder-coated finish
- 90' of 7/16" (27m of 11mm) diameter wire rope

M15000 SPECS/PART NUMBERS

Part number: 47801 (12V)

Part number: 478022 (24V) *Contact WARN Customer Service for Availability*

Rated Line Pull: 15,000 lbs. (6804 kgs) single-line

Motor: Series Wound, 12V 4.6 hp, 24V 2.5 hp

Electrical controls: Contactor

Remote Control: Remote switch, 12 ft (3.7m) lead

Geartrain: 3-Stage Planetary

Gear ratio: 315:1

Clutch (freespooling): Rotating Ring Gear

Brake: Automatic mechanical cone

Drum diameter/Length: 3.5 in /8.2 in (9cm/21cm)

Weight: 136 lbs. (62kgs.)

Wire rope: 90 ft, 7/16 in (27m, 11mm) diameter

Fairlead: Roller

Recommended Battery: 650 CCA minimum for winching

Battery leads: 2 gauge, 72 in (1.83m)

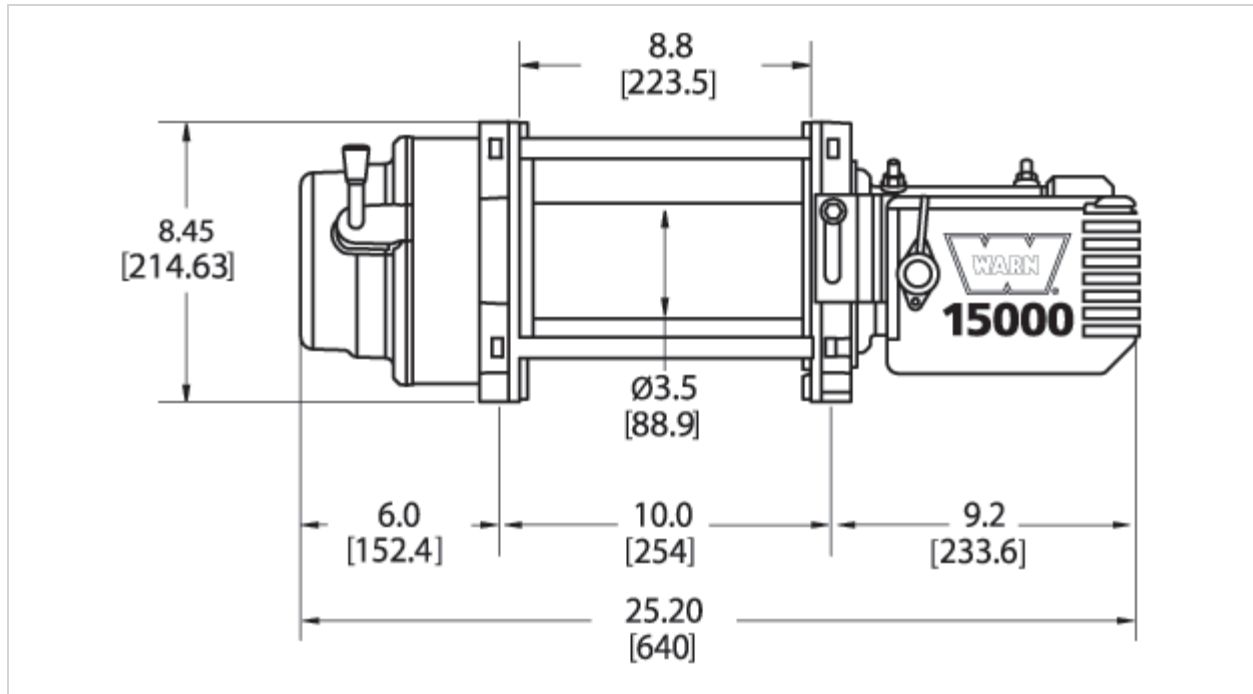
Finish: Argent Gray Powder Coat

12V DC PERFORMANCE SPECS

Line Pull Lbs.(Kgs.)	Line Speed FT./min(M/min.)	Motor Current	Pull by layer layer/Lbs(Kgs.)
0	22.2(6.77)	67 amps	1/15000(6804)
2000(910)	7.27(2.22)	135 amps	2/13890(6300)
4000(1810)	5.41(1.65)	185 amps	3/11520(5225)
6000(2720)	4.43(1.35)	235 amps	4/9840(4463)
8000(3630)	3.79(1.16)	285 amps	
10000(4540)	3.31(1.01)	335 amps	
12000(5440)	2.93(.893)	385 amps	
14000(6350)	2.61(.796)	435 amps	

15000(6800)	2.48(.756)	460 amps	
24V DC PERFORMANCE SPECS			
Line Pull Lbs.(Kgs.)	Line Speed FT./min(M/min.)	Motor Current	Pull by layer layer/Lbs(Kgs.)
0	28(8.6)	24 amps	1/15000(6800)
2200(1000)	10.2(3.1)	85 amps	2/13900(6300)
4400(2000)	7.5(2.3)	115 amps	3/11400(5200)
6600(3000)	6.9(2.1)	142 amps	4/9700(4400)
8800(4000)	6.6(2.0)	170 amps	
11000(5000)	6.2(1.9)	190 amps	
13200(6000)	5.2(1.6)	210 amps	
15000(6800)	4.3(1.3)	235 amps	

Above performance specs are based on first layer of drum



Winch Dimensions: 25.2" L. x 8.5" D. x 11" H.

(640mm L. x 215mm D. x 279mm H.)

Mounting Bolt Pattern: 10.0" x 4.5" (254mm x 114.3mm)