

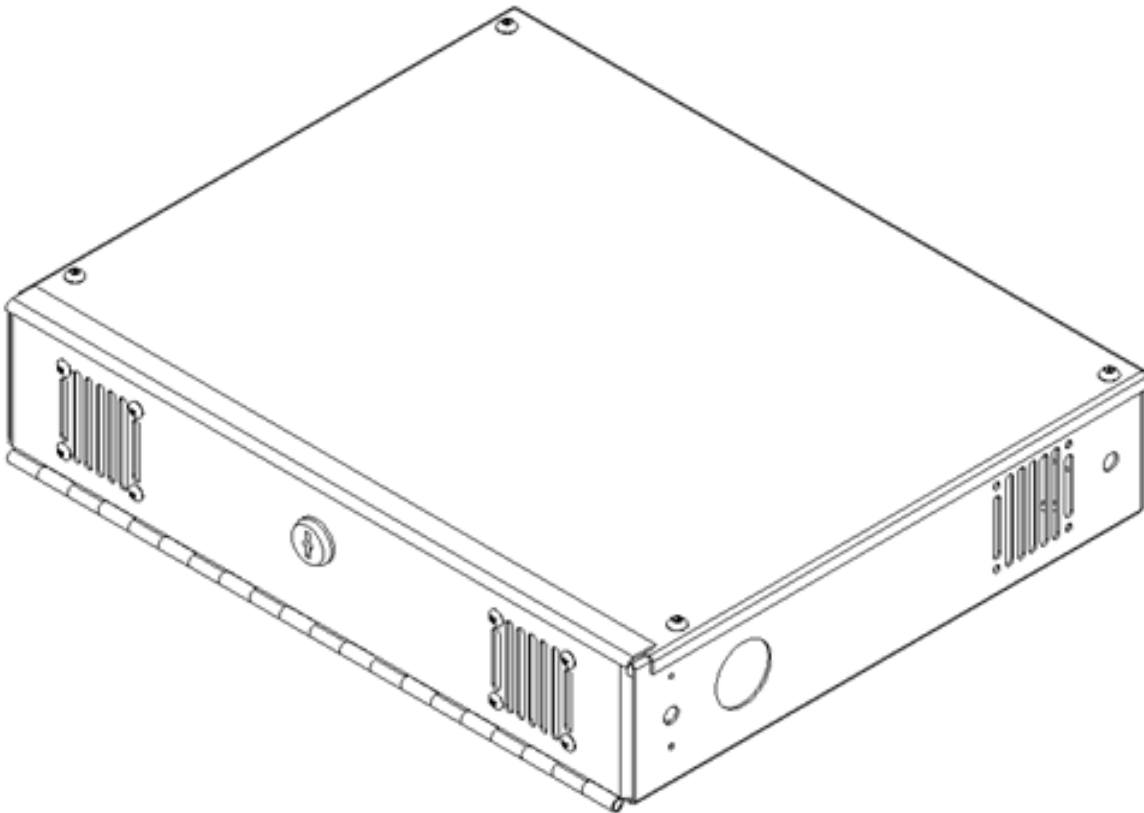
# **WMP**

**VIDEO MOUNT PRODUCTS**

*Instruction Sheet For:*

## **DVR-MB1**

---

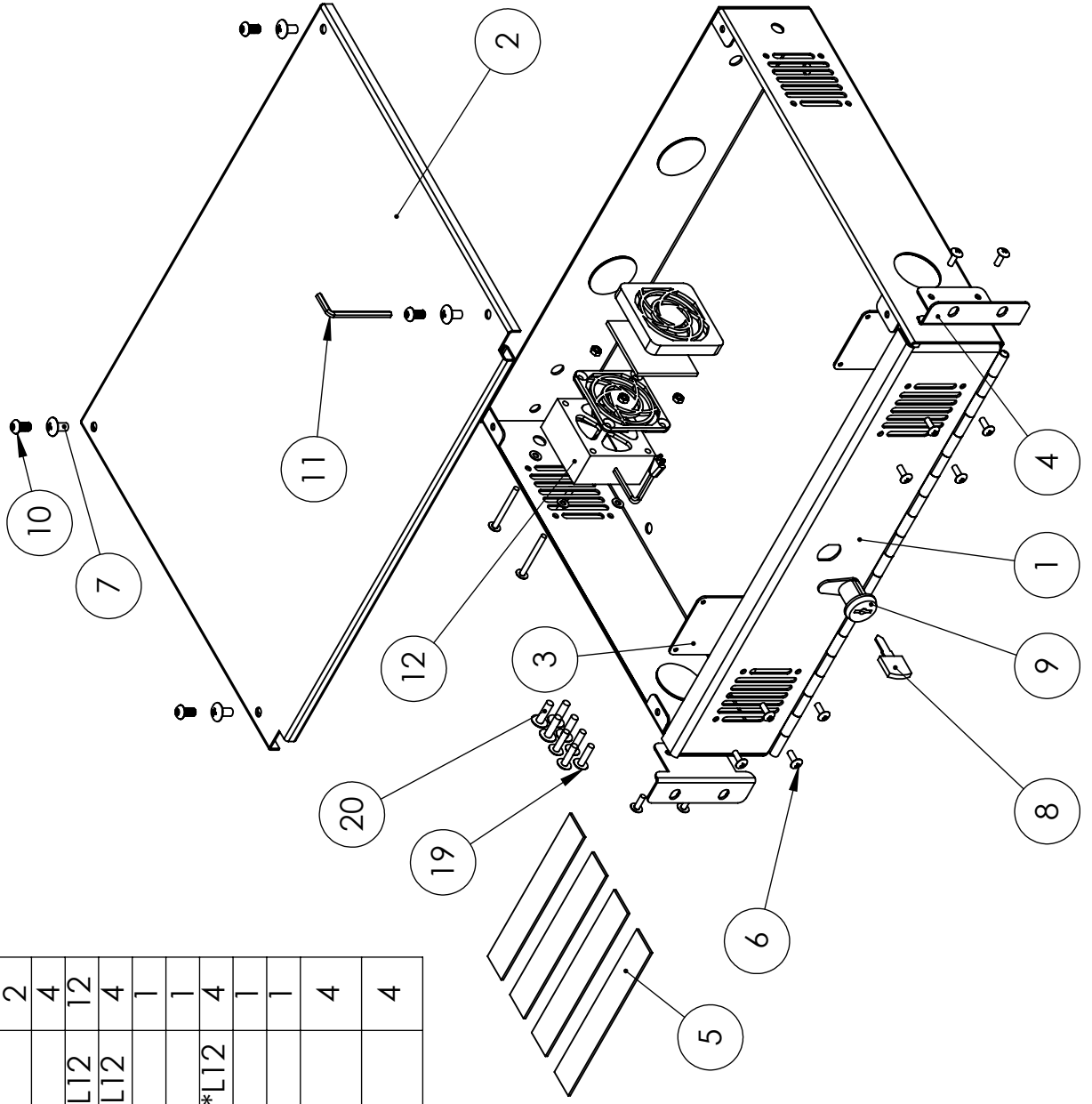


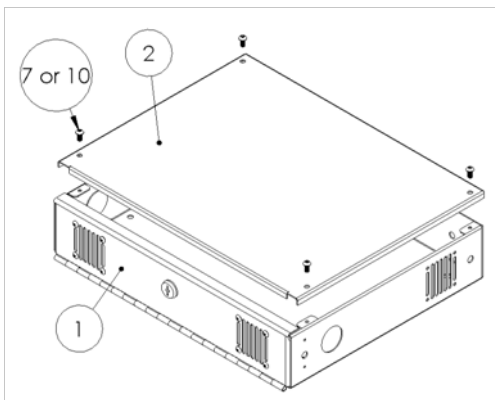
---

*For more information, please contact us at:*  
345 Log Canoe Circle, Stevensville, Maryland 21666  
Toll Free: 877.281.2169 Phone: 410.643.6390 Fax: 410.643.6615  
**[www.videomount.com](http://www.videomount.com)**

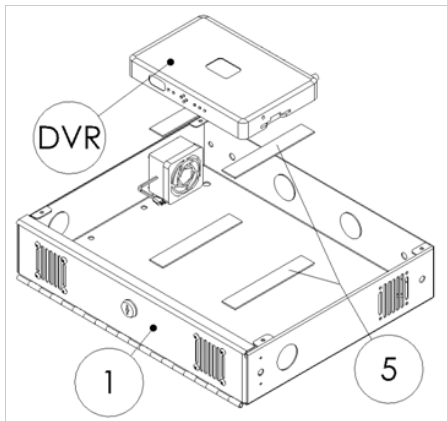
# DVR-MB1

ITEM NO.	DESCRIPTION	Qty
1	Bottom Box	1
2	Top Lid	1
3	Vent Blocker	2
4	Rack Mount Ear	2
5	Velcro	4
6	Phillips Screw M4*P0.7*L12	12
7	Phillips Screw M6*P1.0*L12	4
8	Key	1
9	Lock	1
10	Security Screw M6*P1.0*L12	4
11	Security Allen Key	1
12	Fan Assembly	1
19	Phillips Screw #10-32UNF*L3/4"	4
20	Phillips Screw #12-24UNC*L3/4"	4

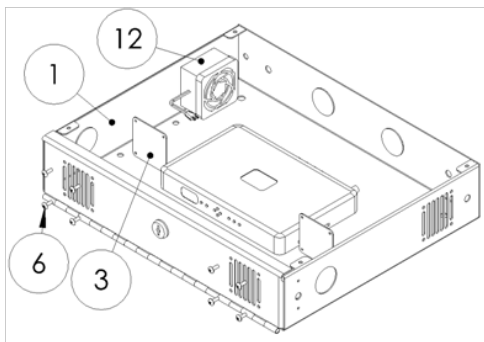




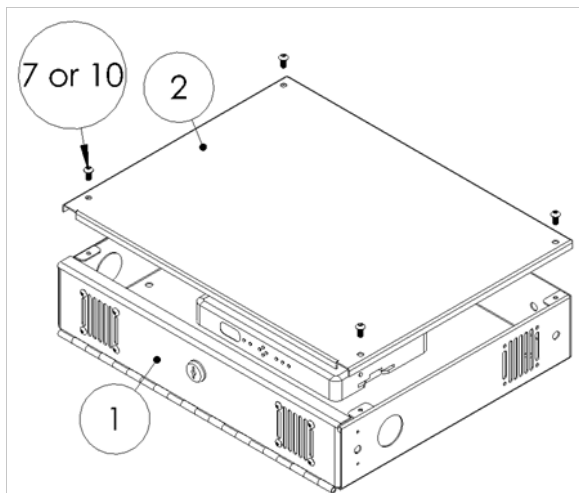
Step 2: Removing the Top Lid



Step 3: Attaching the Velcro



Step 4: Adjusting the Vent Blockers and Fan



Step 5: Reattaching the Top Lid

### Step 1

Before starting, lay out all parts to your mount and match them to the parts list provided. Verify that you have all your parts before attempting to assemble the mount.

If you are rack mounting the DVR-MB1, proceed to the next step. If you are surface mounting the DVR-MB1 then proceed to step 8.

### Step 2

Remove the Top Lid (2) to provide better access to the inside of the box.

### Step 3

Apply the adhesive Velcro strip (5) to the bottom of the DVR and to the bottom of the box where you want the DVR to sit. Place the DVR into the box making sure the Velcro attaches properly. Wire the DVR through the knockouts as needed.

### Step 4

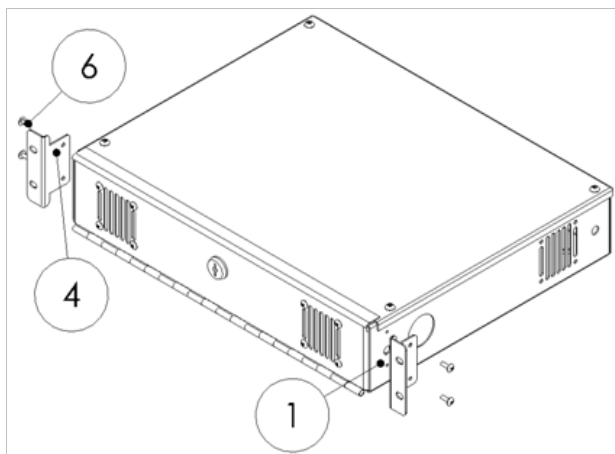
If you wish to adjust how the air is channeled through the DVR-MB1 you can shift the Vent Blockers (3) and/or Fan Assembly (12) to any of the four attachment points in the DVR-MB1. Note: The one attachment point is on the left and right side towards the back of the box and there are two attachment points on the front door of the box. The Vent Blockers (3) and Fan Assembly (12) can also be completely removed if so desired without compromising the security of the box.

### Step 5

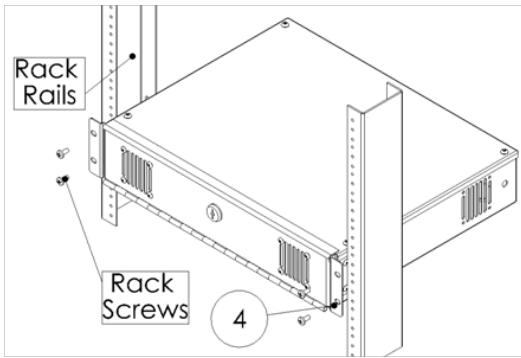
Reattach the Top Lid (2) to the Bottom Box (1).

### Step 6

Attach the Ears (4) to the left and right sides of the Bottom Box (1) using the M4 screws (6).



Step 6: Attaching the Ears to the Bottom Box



Step 7

### Step 7

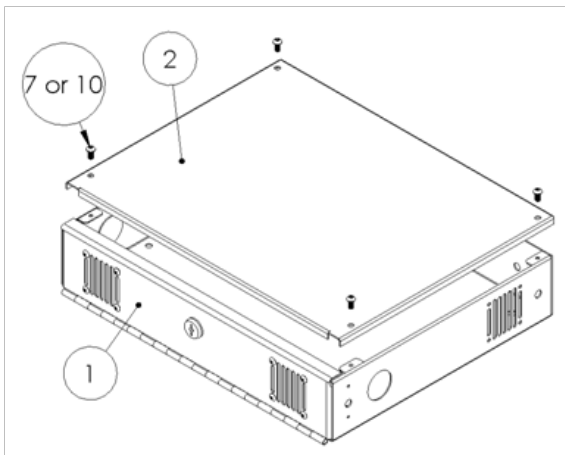
Attach the Ears (4) to the equipment rack using the appropriate hardware for that particular equipment rack. Finish any wiring you have to do.

## Enjoy Your Mount!

If you are surface mounting the DVR-MB1...

### Step 8

Remove the Top Lid (2) to provide better access to the inside of the box.



Step 8: Removing the Top Lid

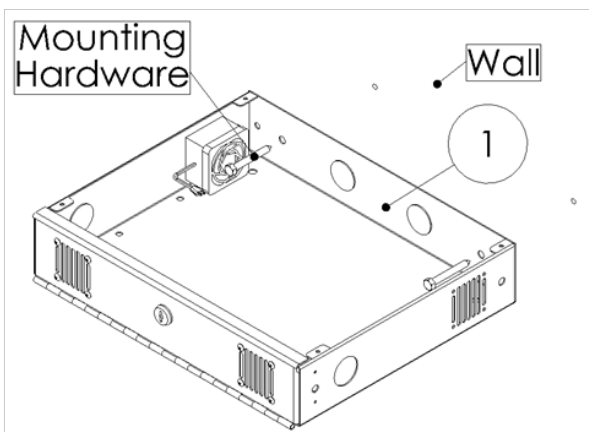
### Step 9

Choose which side you wish to mount the DVR-MB1. The DVR-MB1 can be mounted on the left, right, rear and bottom sides. Note: The only two sides which it cannot be mounted on are the Top Lid (2) and the front door of the Bottom Box (1). Pre-drill the mounting surface if necessary and mount the DVR-MB1 to the desired surface using appropriate hardware. Note: If mounting on the rear, left or right sides some excess space is needed to reattach the Top Lid (2) when done. **WARNING: Please verify that your mounting surface will support the combined weight of your mount, mounting hardware, and DVR. Also verify that the mounting surface is safe to drill through. Please verify the mounting hardware used is the correct type of mounting hardware for your mounting surface before installing. If in doubt or uncertain about any of the above, please contact a professional installer.**

### Step 10

Proceed to follow steps 3 through 5 written earlier in the instructions. Once finished those steps, make sure to finish any wiring still necessary.

Please verify that all nuts and screws are securely tightened.



Step 9: Mounting the Bottom Box



## Enjoy Your Mount!

**WARNING: The installer of these products must verify that the mount surface, ceiling or wall, will safely support the combined weight of all attached equipment and hardware. Video Mount Products will not be held liable for the improper use or installation of its products**