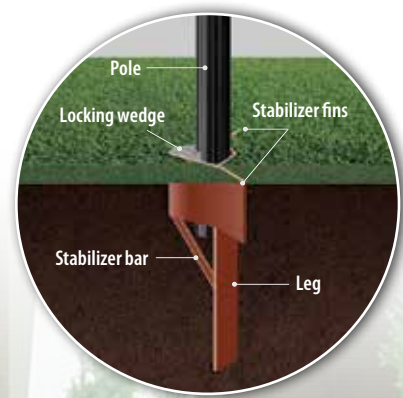


V-Loc[®] Mailbox Support Kits & Hardware

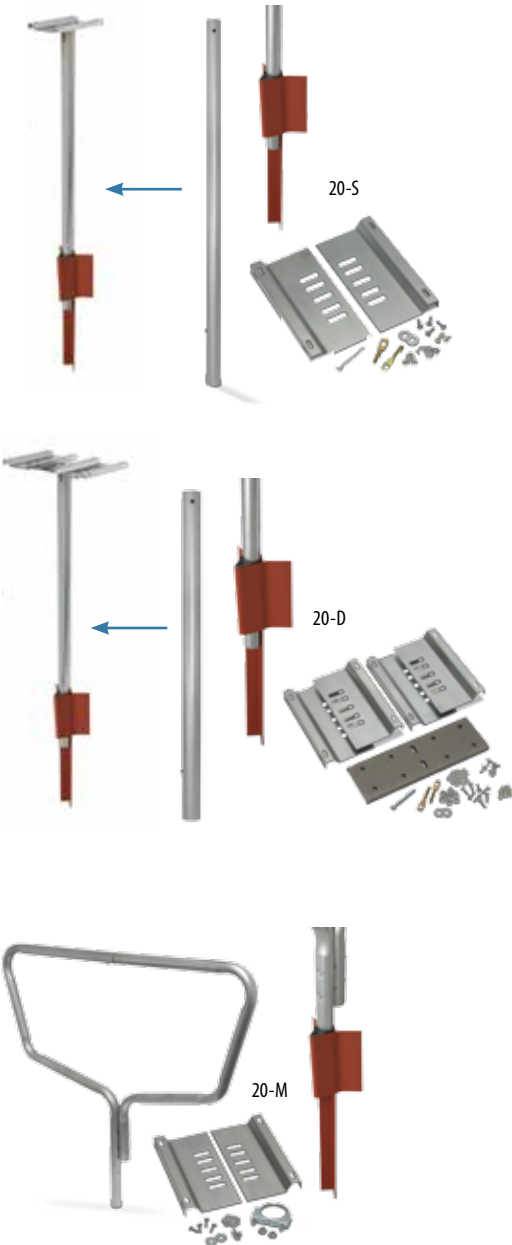
- Meets new 2013 breakaway regulations
- Custom sizes available
- Decorative breakaway options available
- Easy Installation
- Reusable V-loc[®]
- Crash tested & approved
- AASHTO suggested

V-LOC[®] BREAKAWAY ANCHOR



V-Loc® Mailbox Support Kits & Hardware

Model Number	Weight (Lb.)	Outside Diameter (O.D.)	Leg Length (In.)	SKU Number
Models for 2" O.D. round posts, including V-Loc Mailbox Support Systems (wedge included)				
20-VR1	5.00	2	8	034-00040
20-VR3	14.80	2	30	034-00041
20-VR3B	15.70	2	30	034-00081



Model Number	Weight (Lb.)	Description	SKU Number
Single Mailbox Kits & Hardware			
20-S		Single Kit Includes: (1) 2" O.D. 14 ga. post, 48" height with tek screw (Tek screw prevents rotation of post), (1) 20-VR3 V-Loc socket, (1) SW-1 wedge, (1) MBB-S single mailbox bracket for one, #1 standard or one #1A rural mailbox, 24 lb.	034-00211
20-S2		Single Large Kit Includes: (1) 2" O.D. 14 ga. post, 48" height with tek screw (Tek screw prevents rotation of post), (1) 20-VR3 V-Loc socket with SW-1 wedge, (1) MBB-4 single mailbox bracket for one large #2, standard rural mailbox, 27 lb.	034-00051
MBB-S	2.30	Single Mount Bracket #1 or #1A: Packaged with all parts and hardware to mount one #1 or #1A standard rural mailbox on a Model 20-S single mailbox support.	034-00044
MBB-4	3.50	Single Mount Bracket Large #2: Parts and hardware to mount one #2 large rural mailbox on any single support tube.	034-00047
20-ST	6.80	Steel Galvanized Tube: 2" O.D. x 48" long, 14 gauge	034-00042
Double Mailbox Kits & Hardware			
20-D		Double Kit Includes: (1) 2" O.D. 14 ga. Post, 48" height with tek screw. (Tek screw prevents rotation of post), (1) 20-VR3 V-Loc socket with SW-1 wedge, (1) MBB-D double mailbox bracket assembly, for two #1 standard or two #1A rural mailboxes, 26 lb.	034-00212
MBB-D	4.50	Double Mount Bracket with instructions: Packaged with all parts and hardware to mount two #1 or #1A standard rural mailboxes on Model 20-D double mailbox support.	034-00045
20-ST	6.80	Steel Galvanized Tube: 2" O.D. x 48" long, 14 gauge	034-00042
Multiple Mailbox Kits & Hardware			
20-M		Multiple Kit Includes: (1) 20-VR3 V-Loc socket with SW-1 wedge, (1) 2" O.D. 14 ga. formed post, 48" height, with tek screw. (Tek screw prevents rotation of post), (5) MBB-M mailbox bracket kits, to mount, five single #1 standard or four #1A rural mailboxes, 50 lb.	034-00213
20-M2		Multiple Large Kit Includes: (1) 20-VR3 V-Loc socket with SW-1 wedge, (1) 2" O.D. 14 ga. formed post, 48" height, with tek screw (Tek screw prevents rotation of post), (4) MBB-5 bracket kits for four large #2 standard rural mailboxes, 54 lb., Standard #1, #1A rural mailboxes and large #2 rural mailboxes can be intermixed on the multiple support.	034-00052
MBB-M	2.30	Multiple Mount Bracket for #1 or #1A Mailbox with instructions: Individually packaged with all parts and hardware to mount one #1 or #1A standard rural mailbox on Model 20 multiple mailbox support. The Model 20 multiple support will accommodate five #1 mailboxes or four #1A mailboxes.	034-00046
MBB-5	3.60	Multiple Mount Bracket for a #2 mailbox with instructions: All parts and hardware to mount one #2 large rural mailbox on the V-Loc multiple support. The V-Loc multiple support will accommodate up to 3 MBB-5 bracket kits.	034-00048
20-MT	23.80	Steel Galvanized Tube: 2" x 14 gauge, formed	034-00043



Visit **Traffic and Parking** on YouTube for videos on these products and more.



1-800-236-0112 • www.tapconet.com

