

BALANCERS



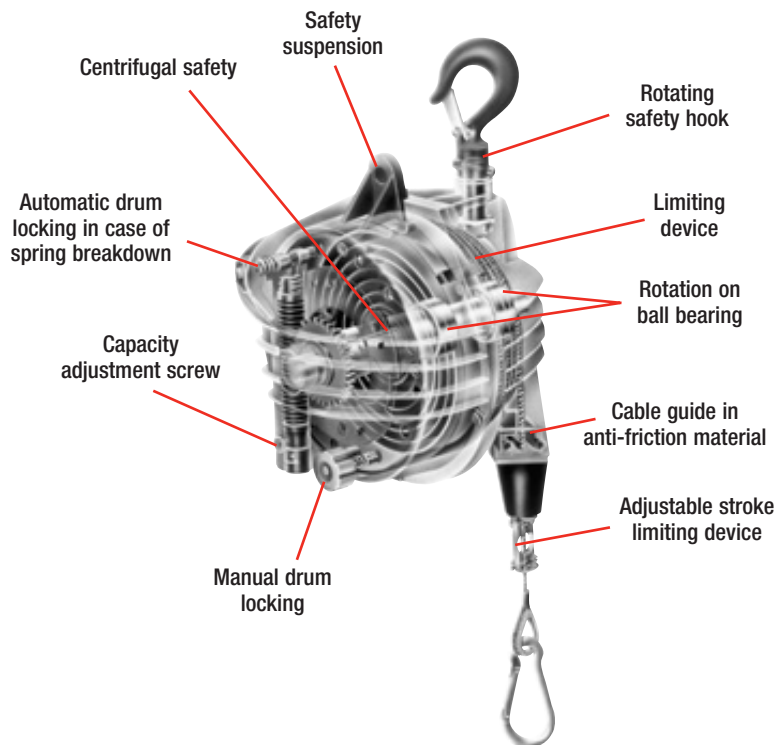
INGERSOLL-RAND BALANCERS

With more than 50 models to choose from, there's an Ingersoll-Rand balancer to satisfy virtually any balancing requirement. These balancers are ruggedly built of die cast aluminum for strength and reduced weight. They feature easy-to-use controls that allow for accurate spring adjustment.

BALANCERS

BALANCERS FROM INGERSOLL-RAND

- 50 models to choose from
- Five different series to meet all balancing requirements
- Lifts ranging from five to nine feet
- Covers weight balancing needs from one to 363 pounds
- Made of rugged die cast aluminum
- Safety locking device on medium, heavy, and super-duty models prevents dropping of the tool should the spring fail
- Easy-to-use controls allow for accurate spring adjustment



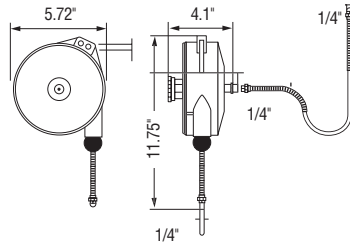
| B | M | D | L | L | — | 10 |
|----------|---|---------------------------|--|---|---|---------------------------------------|
| Balancer | L = Light M = Medium I = Intermediate H = Heavy S = Super | D = Duty R = Hose reel | L = Long cable (8.2' or 9.85') S = Short cable (6.5') | Locking type (Pull to set – pull again to release) | | Upper weight capacity in kilograms |

BALANCERS

Hose Reel Balancers



BHR-15



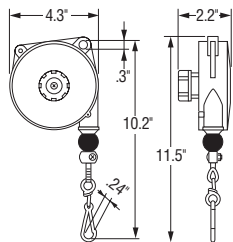
BHR Series

| Part Number | Hose Nipple Size | cfm Extended | Capacity lb (kg) | Lift ft (mm) |
|--|------------------|--------------|------------------------------|--------------|
| Hose Reel Balancers — 0.875 – 5.5 lb Capacity | | | | |
| BHR-8 | 1/4" | 18.4 | 0.875 – 1.75 (0.397 – 0.794) | 4.25 (1295) |
| BHR-15 | 1/4" | 18.4 | 1.5 – 3.33 (0.68 – 1.51) | 4.25 (1295) |
| BHR-25 | 1/4" | 18.4 | 2.625 – 5.5 (1.191 – 2.495) | 4.25 (1295) |

Light-duty Balancers



BLD1



BLD Series

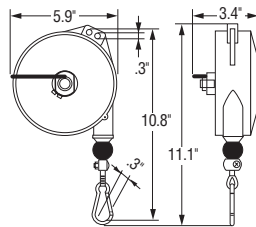
| Part Number | Capacity lb (kg) | Weight of Balancer lb (net-kg) | Lift ft (mm) |
|---|---------------------|--------------------------------|--------------|
| Light-duty Balancers — 0.9 – 6.6 lb Capacity | | | |
| BLD1 | 0.9 – 2.2 (0.4 – 1) | 1.3 (0.6) | 5.2 (1600) |
| BLD2 | 2.2 – 4.4 (1 – 2) | 1.3 (0.6) | 5.2 (1600) |
| BLD3 | 4.4 – 6.6 (2 – 3) | 1.3 (0.7) | 5.2 (1600) |

- Rotary hook
- Self-lubricating bushings
- Adjustable capacity and stroke limiting device
- Auxiliary safety suspension

Medium-duty Balancers



BMDS-2



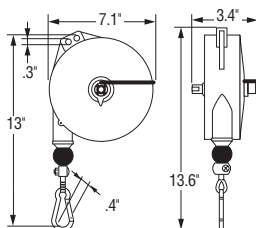
BMDS Series

| Part Number | Capacity lb (kg) | Weight of Balancer lb (net-kg) | Lift ft (mm) |
|---|---------------------|--------------------------------|--------------|
| Medium-duty Balancers — 2.2 – 30 lb Capacity | | | |
| Short Cable | | | |
| BMDS-2 | 2.2 – 5.5 (1 – 2.5) | 4.4 (2) | 6.5 (2000) |
| BMDS-4 | 4.4 – 8.8 (2 – 4) | 4.4 (2) | 6.5 (2000) |
| BMDS-6 | 8.8 – 13.2 (4 – 6) | 5.1 (2.3) | 6.5 (2000) |
| BMDS-8 | 13.2 – 17.6 (6 – 8) | 5.5 (2.5) | 6.5 (2000) |
| Long Cable | | | |
| BMDL-4 | 4.4 – 8.8 (2 – 4) | 6.4 (2.9) | 8.2 (2500) |
| BMDL-6 | 8.8 – 13.2 (4 – 6) | 7.1 (3.2) | 8.2 (2500) |
| BMDL-8 | 13.2 – 17.6 (6 – 8) | 7.7 (3.5) | 8.2 (2500) |
| BMDL-10 | 17.6 – 22 (8 – 10) | 8.2 (3.7) | 8.2 (2500) |
| BMDL-12 | 22 – 26.5 (10 – 12) | 8.8 (4) | 8.2 (2500) |
| BMDL-14 | 22 – 30 (10 – 14) | 5.6 (2.5) | 8.2 (2500) |
| BMDL-14-Y (Yellow) | 22 – 30 (10 – 14) | 5.6 (2.5) | 8.2 (2500) |

Medium-duty Locking Balancers



BMDLL-10



BMDL / BMDLL Series

| Part Number | Capacity lb (kg) | Weight of Balancer lb (net-kg) | Lift ft (mm) |
|---|---------------------|--------------------------------|--------------|
| Medium-duty Locking Balancers — 4.4 – 22 lb Capacity | | | |
| Long Cable | | | |
| BMDLL-4 | 4.4 – 8.8 (2 – 4) | 6.6 (3) | 8.2 (2500) |
| BMDLL-6 | 8.8 – 13.2 (4 – 6) | 7.3 (3.3) | 8.2 (2500) |
| BMDLL-8 | 13.2 – 17.6 (6 – 8) | 7.9 (3.6) | 8.2 (2500) |
| BMDLL-10 | 17.6 – 22 (8 – 10) | 8.4 (3.8) | 8.2 (2500) |

- Safety device prevents dropping of load due to spring breakage (except BMDS-2)
- Anti-friction cable guide
- Adjustable stroke limiting device



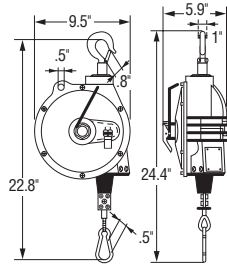
User

BALANCERS

Intermediate-duty Balancers



BIDS-10



BIDS Series

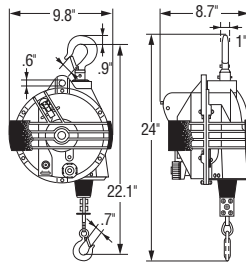
| Part Number | Capacity lb (kg) | Weight of Balancer lb (net-kg) | Lift ft (mm) |
|---|-----------------------|-----------------------------------|-----------------|
| Intermediate-duty Balancers — 8.8 – 55 lb Capacity | | | |
| BIDS-7 | 8.8 – 15.4 (4 – 7) | 5 (2.26) | 6.5 (2000) |
| BIDS-10 | 15.4 – 22 (7 – 10) | 5.5 (2.49) | 6.5 (2000) |
| BIDS-14 | 22 – 30.8 (10 – 14) | 5.5 (2.49) | 6.5 (2000) |
| BIDS-18 | 30.8 – 39.6 (14 – 18) | 6.5 (2.95) | 6.5 (2000) |
| BIDS-22 | 39.6 – 48.4 (18 – 22) | 6.5 (2.95) | 6.5 (2000) |
| BIDS-26 | 48.4 – 55 (22 – 25) | 6.5 (2.95) | 6.5 (2000) |

- Safety device prevents load dropping due to spring breakage
- Anti-friction cable guide
- Adjustable stroke limiting device
- Upper rotary suspension
- Safety hook
- Auxiliary safety suspension

Heavy-duty Balancers



BHD-35



BHD Series

| Part Number | Capacity lb (kg) | Weight of Balancer lb (net-kg) | Lift ft (mm) |
|--|---------------------|-----------------------------------|-----------------|
| Heavy-duty Balancers — 22 – 143 lb Capacity | | | |
| BHD-15 | 22 – 33 (10 – 15) | 22.7 (10.3) | 6.5 (2000) |
| BHD-20 | 33 – 44 (15 – 20) | 23.4 (10.6) | 6.5 (2000) |
| BHD-25 | 44 – 55 (20 – 25) | 24.7 (11.2) | 6.5 (2000) |
| BHD-30 | 55 – 66 (25 – 30) | 25.4 (11.5) | 6.5 (2000) |
| BHD-35 | 66 – 77 (30 – 35) | 26 (11.8) | 6.5 (2000) |
| BHD-45 | 77 – 99 (35 – 45) | 27.3 (12.4) | 6.5 (2000) |
| BHD-55 | 99 – 121 (45 – 55) | 27.6 (12.5) | 6.5 (2000) |
| BHD-65 | 121 – 143 (55 – 65) | 30 (13.6) | 6.5 (2000) |

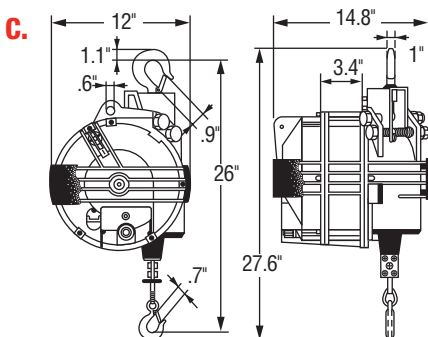
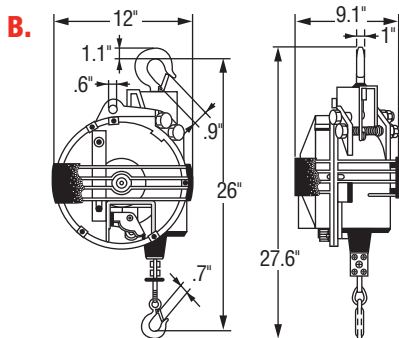
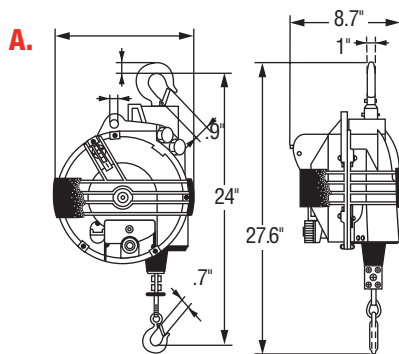
- Safety device prevents load dropping due to spring breakage
- Upper suspension with rotary safety hook
- Precision guided cable winding prevents jamming
- Anti-friction cable guide
- Manual locking device for instant clamping or release
- Worm screw capacity adjustment.
- Spring drum assembly.
- Floor controlled locking device available (BIL-7343)

BALANCERS

Super-duty Balancers



BSD-20



| Part Number | Capacity lb (kg) | Weight of Balancer lb (net-kg) | Lift ft (mm) | Diagram |
|--|-----------------------|--------------------------------------|-----------------|---------|
| Super-duty Balancers — 33 – 363 lb Capacity | | | | |
| BSD-20 | 33 – 44 (15 – 20) | 41.9 (19) | 8.2 (2500) | A |
| BSD-30 | 44 – 66 (20 – 30) | 43.7 (19.8) | 8.2 (2500) | A |
| BSD-40 | 66 – 88 (30 – 40) | 45.9 (20.8) | 8.2 (2500) | A |
| BSD-50 | 88 – 110 (40 – 50) | 52.7 (23.9) | 8.2 (2500) | A |
| BSD-60 | 110 – 132 (50 – 60) | 56 (25.4) | 8.2 (2500) | A |
| BSD-70 | 132 – 154 (60 – 70) | 59.1 (26.8) | 8.2 (2500) | B |
| BSD-80 | 154 – 176 (70 – 80) | 61.3 (27.8) | 8.2 (2500) | B |
| BSD-90 | 176 – 198 (80 – 90) | 63.5 (28.8) | 8.2 (2500) | B |
| BSD-100 | 198 – 220 (90 – 100) | 78.5 (35.6) | 8.2 (2500) | C |
| BSD-120 | 220 – 265 (100 – 120) | 85.3 (38.7) | 8.2 (2500) | C |
| BSD-140 | 265 – 309 (120 – 140) | 92.2 (41.8) | 8.2 (2500) | C |
| BSD-150 | 287 – 330 (130 – 150) | 98.1 (44.5) | 8.2 (2500) | C |
| BSD-165 | 330 – 363 (150 – 165) | 106.3 (48.2) | 8.2 (2500) | C |
| Super-duty Balancers — 33 – 330 lb Capacity | | | | |
| Long Cable | | | | |
| BSDL-20 | 33 – 44 (15 – 20) | 42.1 (19.1) | 9.85 (3000) | A |
| BSDL-25 | 44 – 55 (20 – 25) | 43.9 (19.9) | 9.85 (3000) | A |
| BSDL-35 | 55 – 77 (25 – 35) | 46.1 (20.9) | 9.85 (3000) | A |
| BSDL-45 | 77 – 99 (35 – 45) | 52.5 (23.8) | 9.85 (3000) | B |
| BSDL-50 | 88 – 110 (40 – 50) | 52.7 (23.9) | 9.85 (3000) | B |
| BSDL-60 | 110 – 132 (50 – 60) | 55.8 (25.3) | 9.85 (3000) | B |
| BSDL-70 | 132 – 154 (60 – 70) | 58.9 (26.7) | 9.85 (3000) | B |
| BSDL-80 | 154 – 176 (70 – 80) | 61.7 (28) | 9.85 (3000) | B |
| BSDL-90 | 176 – 198 (80 – 90) | 64 (29) | 9.85 (3000) | B |
| BSDL-100 | 198 – 220 (90 – 100) | 81.1 (36.8) | 9.85 (3000) | C |
| BSDL-115 | 220 – 254 (100 – 115) | 85.3 (38.7) | 9.85 (3000) | C |
| BSDL-130 | 254 – 286 (115 – 130) | 88 (39.9) | 9.85 (3000) | C |
| BSDL-140 | 286 – 309 (130 – 140) | 94.4 (42.8) | 9.85 (3000) | C |
| BSDL-150 | 309 – 330 (140 – 150) | 100.6 (45.6) | 9.85 (3000) | C |

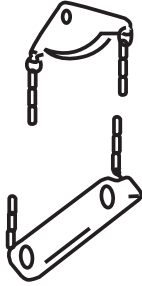
**Higher capacities available upon request.*

- Safety device prevents load dropping
- Upper suspension with rotary safety hook
- Precision guided cable winding prevents jamming
- Anti-friction cable guide
- Manual locking device for instant clamping or release
- Worm screw capacity adjustment
- Alignable rotating upper hook
- Cable replacement without balancer disassembly
- Cable visible for inspection
- Floor controlled locking device available (BIL-3224)



BALANCER ACCESSORIES

Floor-controlled Locking Device



BIL-7343

| Part Number | Description | For Use With |
|-----------------------------|---------------------------------|-------------------------|
| Balancer Accessories | | |
| BIL-7343 | Floor-controlled locking device | Heavy-duty (BHD) |
| BIL-3224 | Floor-controlled locking device | Super-duty (BSD & BSDL) |