

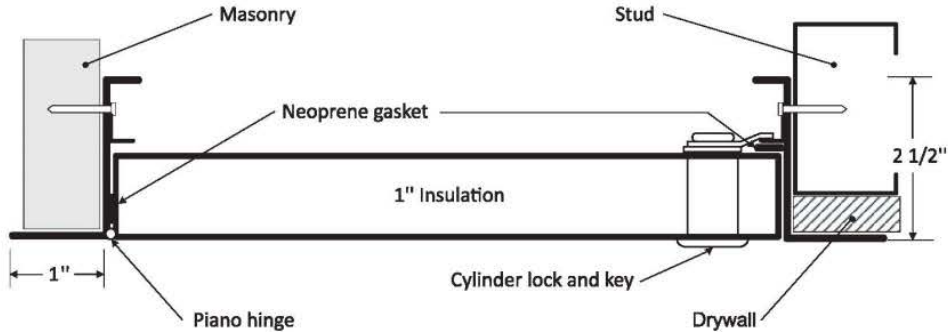


LIGHTWEIGHT INSULATED ALUMINUM ACCESS DOOR

FOR ALL SURFACE TYPES

2VE89 - 2VE90 - 2VE91 - 2VE92 - 2VE93 - 2VE94

INSTALLATION

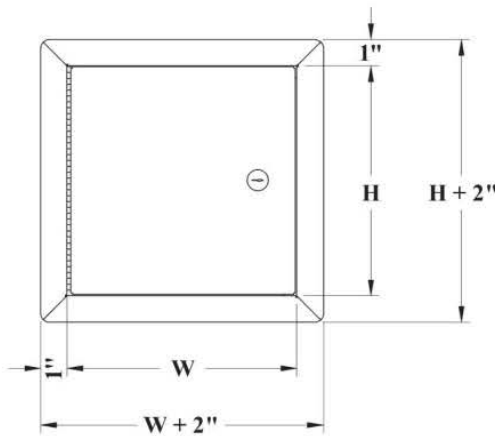


DIMENSIONS AND APPEARANCE

LEED ready: This product contributes to LEED® credits.

PRODUCT CODE	DOOR SIZE W x H inches (MM)	NUMBER OF LOCKS	WEIGHT LBS KG	
2VE89	8 x 8 (203 x 203)	1	2	0.9
2VE90	12 x 12 (304 x 304)	1	3	1.4
2VE91	16 x 16 (406 x 406)	1	6	2.7
2VE92	18 x 18 (457 x 457)	1	7	3.2
2VE93	24 x 24 (609 x 609)	1	13	5.9
2VE94	36 x 36 (914 x 914)	2	21	9.5

Rough wall opening is door size + 1/4" or + 6mm



DESCRIPTION AND MATERIAL SPECIFICATION

Material: 0.064" aluminum
Insulation: 1" fiberglass
Hinge: aluminum continuous piano type
Gasketing: neoprene all around perimeter

Lock / latch: cylinder lock and key
Finish: high quality white powder coat primer
Packaging: individually wrapped, 1 per box



**FOR CUSTOM SIZES AND DIFFERENT LOCKING OPTIONS,
 PLEASE CALL YOUR LOCAL GRAINGER BRANCH.**