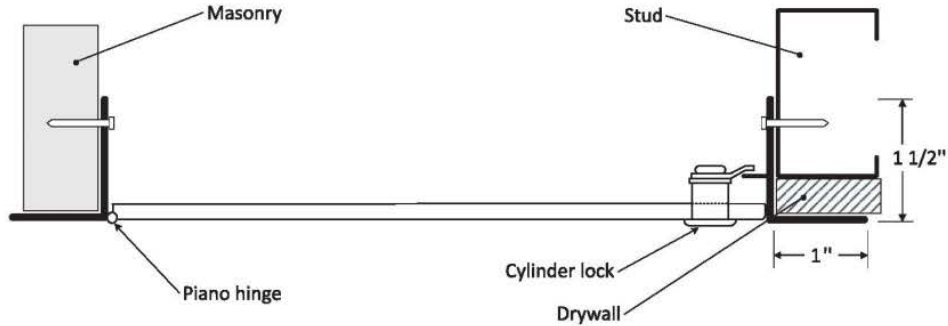




**GENERAL PURPOSE ACCESS DOOR  
WITH CYLINDER CAM LATCH - FOR ALL SURFACE TYPES**  
1UEW7 - 1UEW8 - 1UEW9 - 16M208 - 1UEX1

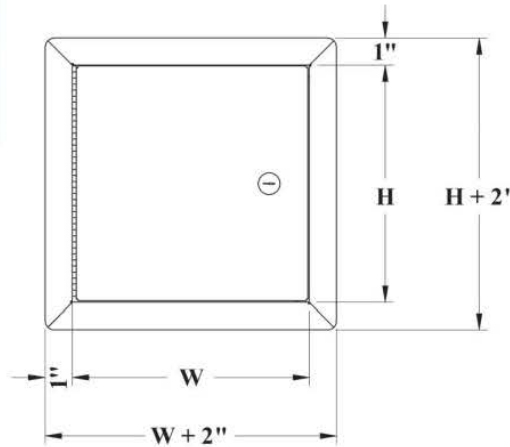
INSTALLATION



DIMENSIONS AND APPEARANCE

PRODUCT CODE	DOOR SIZE W x H inches (MM)	NUMBER OF LOCKS	WEIGHT LBS KG	
1UEW7	12 x 12 (304 x 304)	1	5	2.3
1UEW8	14 x 14 (356 x 356)	1	7	3.2
1UEW9	16 x 16 (406 x 406)	1	8	3.6
16M208	18 x 18 (457 x 457)	1	9	4.1
1UEX1	24 x 24 (609 x 609)	1	15	6.8

Rough wall opening is door size + 1/4" or + 6mm



LEED ready: This product contributes to LEED® credits.

DESCRIPTION AND MATERIAL SPECIFICATION

**Material:** 16 gauge cold rolled steel  
**Hinge:** hidden pin hinge  
continuous piano type on doors  
over 24" (height or width)

**Lock / latch:** key operated cylinder cam latch  
**Finish:** high quality white powder coat primer  
**Packaging:** individually wrapped, 1 per box



**FOR CUSTOM SIZES AND DIFFERENT LOCKING OPTIONS,  
PLEASE CALL YOUR LOCAL GRAINGER BRANCH.**