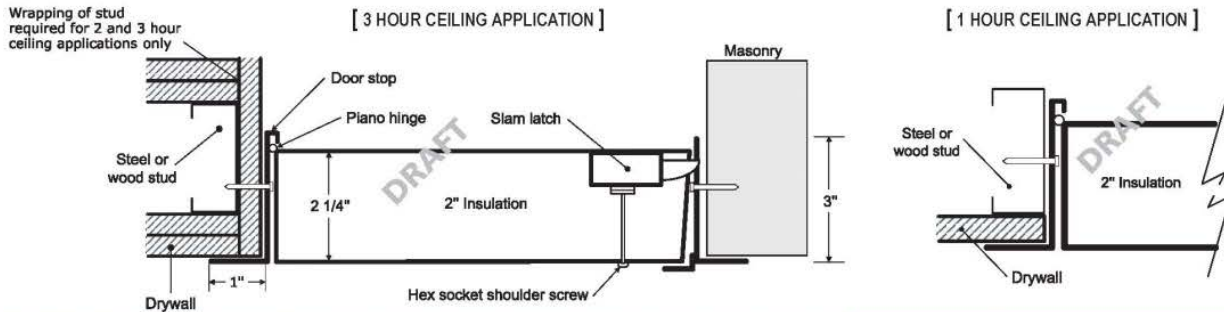




**FIRE RATED INSULATED UPWARD OPENING ACCESS DOOR**  
**FOR CEILINGS ONLY**  
**2VE78 - 2VE79 - 2VE80**

**INSTALLATION: CEILINGS ONLY**



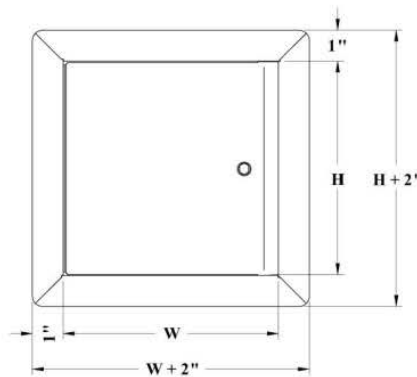
Authorities Having Jurisdiction (AHJ) should be consulted in all cases as to the particular requirements covering the installation and use of fire rated access doors.

**DIMENSIONS AND APPEARANCE**

PRODUCT CODE	DOOR SIZE W x H inches (MM)	NUMBER OF LOCKS	WEIGHT	
			LBS	KG
2VE78	22 x 30 (558 x 762)	1	30	30.6
2VE79	22 x 36 (558 x 914)	2	37	16.8
2VE80	24 x 24 (609 x 609)	1	29	13.2

(Clear opening with door opened =  $W - 3 \frac{1}{2}''$ )  
 Rough wall opening is door size +  $1 \frac{1}{4}''$  or + 6mm

LEED ready: This product contributes to LEED® credits.



**DESCRIPTION AND MATERIAL SPECIFICATION**

**FIRE RATING:** For horizontal ceiling assemblies only:  
 CERTIFIED TO STANDARDS: ASTM E119 (2012), CAN/ULC S101 (2007).  
 RATING ACHIEVED: 3 hours in non-combustible construction.  
 1 hour in combustible construction.  
 MAXIMUM SIZE: 24" x 36" (hinges & latch on 36" long sides)  
 (610 mm x 914 mm).  
 Tolerances on dimension limitations are  $\pm 3''$  (76 mm)  
 as long as the area does not exceed 864 in<sup>2</sup>.  
 TEMPERATURE RISE: Not applicable.

**Material:** 16 gauge cold rolled steel frame and 20 gauge galvalume steel door  
**Insulation:** 2" thick mineral wool  
**Hinge:** continuous piano hinge allows opening to 89°  
**Lock / latch:** self latching ring operated slam latch inside and a hex head slam latch outside  
**Finish:** high quality white powder coat primer  
**Packaging :** individually wrapped, 1 per box



**FOR CUSTOM SIZES AND DIFFERENT LOCKING OPTIONS,**  
**PLEASE CALL YOUR LOCAL GRAINGER BRANCH.**