

EWZ SERIES: 1 OR 2 CHANNEL MULTIPURPOSE CONTROL PRODUCT DETAILS & INFORMATION

SUPERCAPACITOR BACKUP!

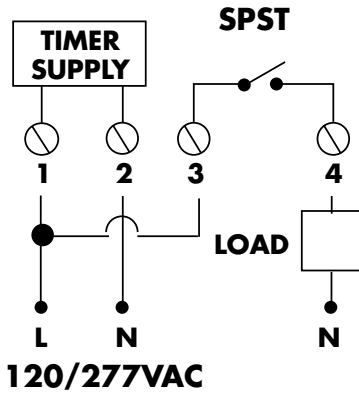
PERMANENT SCHEDULE RETENTION

**PATENTED
40 AMP
CONTACTS**

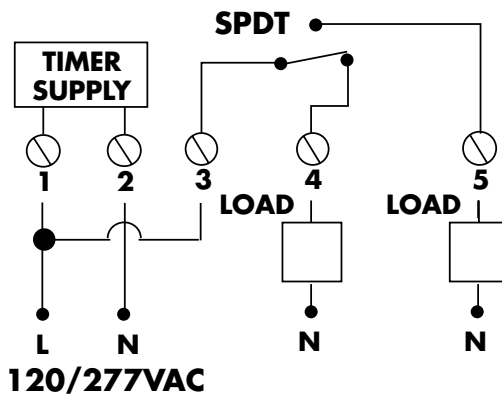
SERIES EWZ101 (SPST) SERIES EWZ201 (DPST)			SERIES EWZ120 (SPDT)			DRY CONTACT RATINGS	
LOAD TYPE	cULus		LOAD TYPE	120VAC		208-277VAC	
	120VAC	208-277VAC		NO	NC	NO	NC
Resistive	40A	40A	Resistive	30A	30A	30A	30A
Inductive	40A	40A	Inductive	30A	30A	30A	30A
Ballast	30A	20A	Ballast	30A	10A	20A	10A
Tungsten	15A		Tungsten	15A	2A		
Pilot Duty	720VA	720VA	Pilot Duty	720VA	720VA	720VA	720VA
Motor	1HP	1½HP@208VAC	Motor	1HP	1HP	1½HP@208VAC	
30A resistive @28VDC		2HP@240-277VAC	all NO/NC 30A resistive @28VDC			2HP@240-277VAC	

EWZ SERIES: 1 OR 2 CHANNEL MULTIPURPOSE CONTROL PRODUCT DETAILS & INFORMATION

EWZ101



EWZ120



EWZ201
only: Unit
must be
configured
for
momentary
option.

EWZ201

