

DZS SERIES: 1,2,4 CHANNEL MULTIPURPOSE CONTROLS PRODUCT DETAILS & INFORMATION

Capable of different schedules each day of the week

ON & OFF SET POINTS: 99 per week, minimum setting is one minute.

ASTRONOMIC OFFSET: 299 minutes

SUPERCAPACITOR BACKUP!

PERMANENT SCHEDULE RETENTION

MEMORY MODULE can be programmed at any one location and inserted into another DZS series unit with MM socket in any other location!

COPY FEATURE: Unit can be configured to copy program schedule to multiple memory modules!

(OPTIONAL) Windows-based program and **MEMORY MODULE PROGRAMMER** can be used to program the memory module.

MM

optional
MMP

MEMORY MODULE PROGRAMMER (MMP) OPTIONAL



DZS100BP, DZS200BP

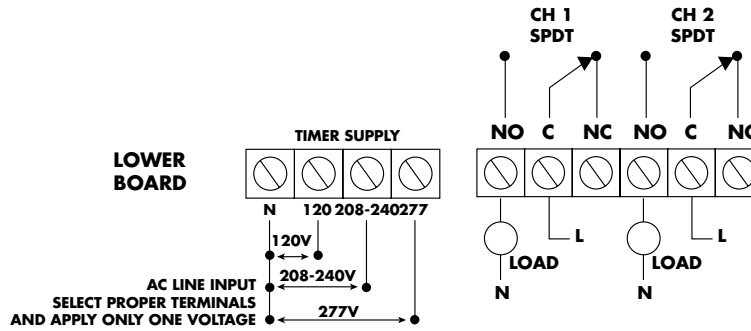
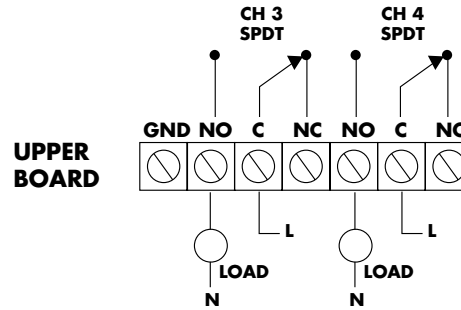
DZS400BP

CONTACT RATINGS

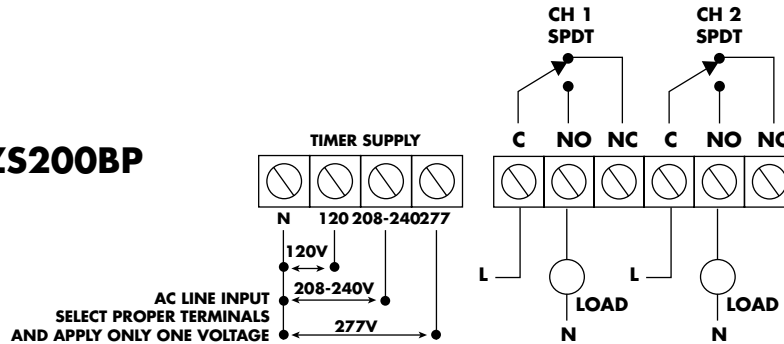
TYPE	VOLTAGE	RATING		TYPE	VOLTAGE	RATING
		NO	NC			
Ballast	120VAC	20A	10A	General Purpose	24-277VAC, 30VDC	10A
	208-277VAC	10A	3A			
Tungsten	120-277VAC	5A	3A	Tungsten	120VAC	360 watts
General Purpose	24-240VAC	20A	10A	Pilot Duty	120-277VAC	360VA
	277VAC	12A	6A			
Pilot Duty	120-240VAC	470VA	275VA	Motor Load	120VAC	1/4HP
	277VAC	690VA				
Motor Load	120VAC	1HP	1/4HP	Motor Load	208-240VAC	1/4HP
	208-240VAC	2HP	1/4HP			
	277VAC	1HP				
Resistive	28VDC	20A	10A			

DZS SERIES: 1,2,4 CHANNEL MULTIPURPOSE CONTROLS WIRING DIAGRAMS

DZS400BP



DZS200BP



DZS100BP

