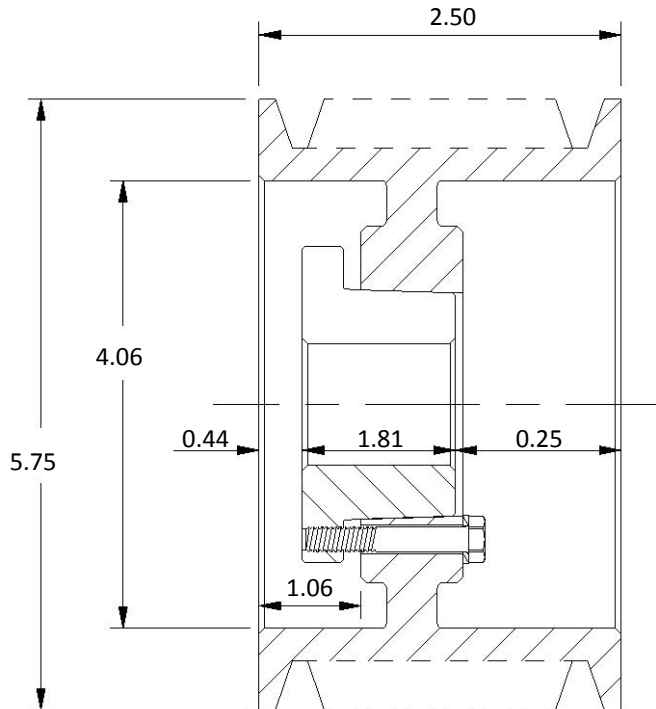


## Product Specification Sheet



**Material Number:** 5YKG7

**Product Number:** 543B

**Part Description:** 5.4X3B-SD

**Product Type:** Classical Sheave

**Construction:** Solid

Properties and Performance	
Groove Section Profile:	A-B
Number of Grooves:	3
Bushing Size:	SD
Bore Range:	1/2 - 1 15/16 in
Material Type:	Cast Iron
Maximum Speed:	4350 RPM
Product Weight:	8.1 lbs
Balance Specification:	Standard, 1 plane