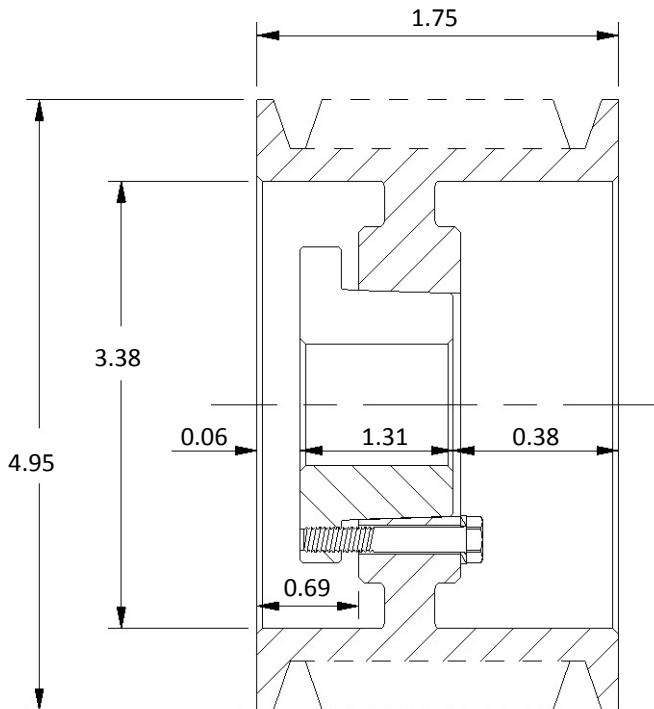


Product Specification Sheet



Material Number: 5YKF2

Product Number: 462B

Part Description: 4.6X2B-SDS

Product Type: Classical Sheave

Construction: Solid

Properties and Performance	
Groove Section Profile:	A-B
Number of Grooves:	2
Bushing Size:	SDS
Bore Range:	1/2 - 1 15/16 in
Material Type:	Cast Iron
Maximum Speed:	5050 RPM
Product Weight:	3.9 lbs
Balance Specification:	Standard, 1 plane