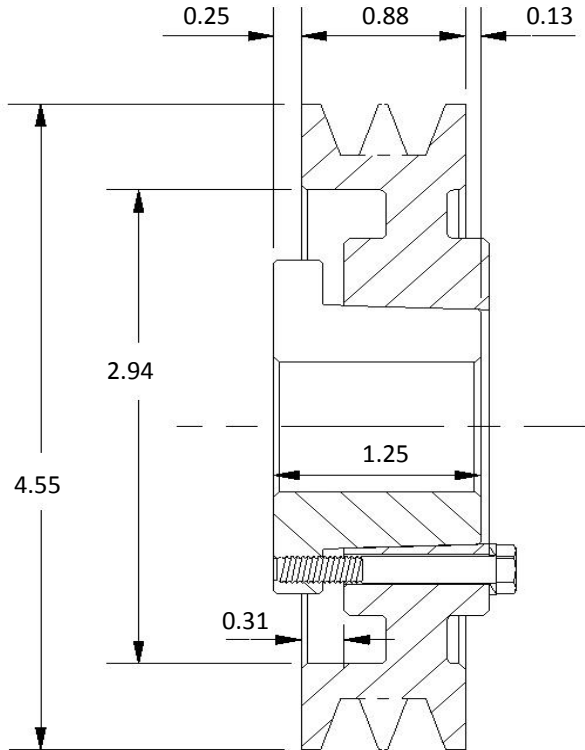


Product Specification Sheet



Material Number: 6YRD9

Product Number: 421B

Part Description: 4.2X1B-SH

Product Type: Classical Sheave

Construction: Solid

Properties and Performance	
Groove Section Profile:	A-B
Number of Grooves:	1
Bushing Size:	SH
Bore Range:	1/2 - 1 5/8 in
Material Type:	Cast Iron
Maximum Speed:	5500 RPM
Product Weight:	2.3 lbs
Balance Specification:	Standard, 1 plane