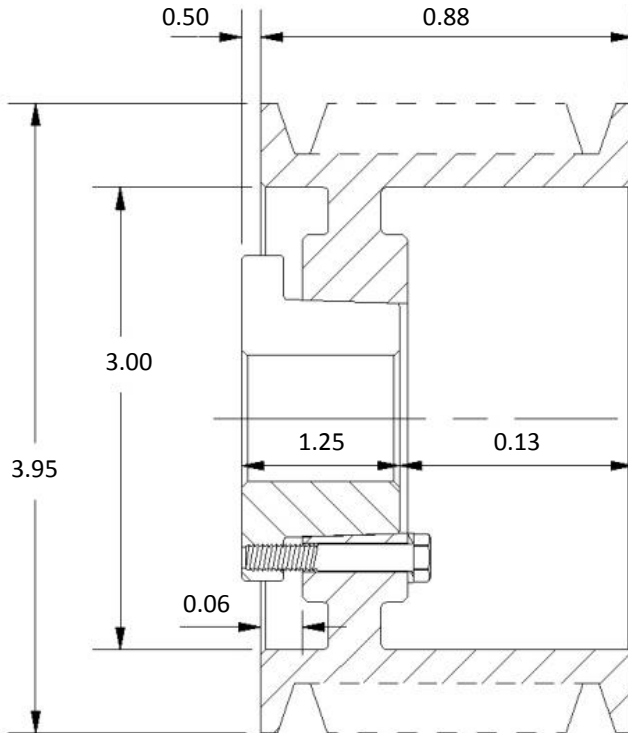


Product Specification Sheet



Material Number: 5YKE3
Product Number: 361B
Part Description: 3.6X1B-SH
Product Type: Classical Sheave
Construction: Solid

Properties and Performance	
Groove Section Profile:	A-B
Number of Grooves:	1
Bushing Size:	SH
Bore Range:	1/2 - 1 5/8 in
Material Type:	Ductile Iron
Maximum Speed:	9670 RPM
Product Weight:	1.4 lbs
Balance Specification:	Standard, 1 plane