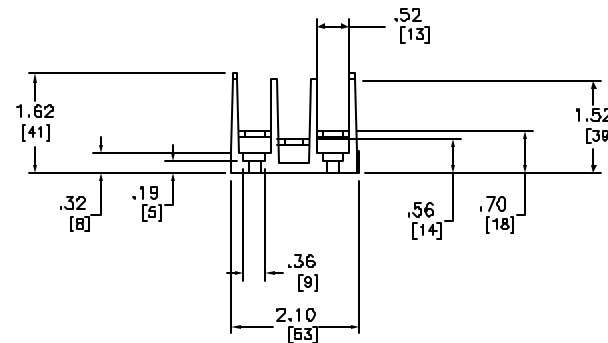
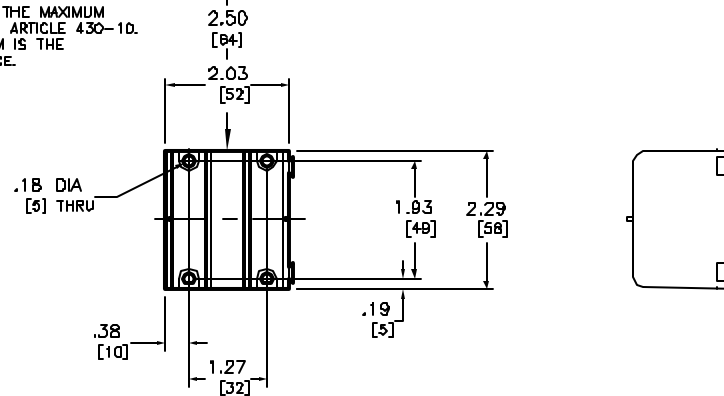


POWER DISTRIBUTION BLOCK	LUG WIRE RANGE *	
	MAIN	BRANCH
9080-LBA361101	(1) #14-2	(1) #14-2
9080-LBA361104	(1) #14-2	(4) #18-10

* LUGS SUITABLE FOR USE WITH 75° C CONDUCTORS BASED ON NEC TABLE 310-15

ELECTRICAL CLEARANCE/WIRE BENDING SPACE

WIRE BENDING SPACE IS BASED UPON THE MAXIMUM WIRE SIZE OF THE TERMINAL AND NEC ARTICLE 430-10. WIRE BENDING SPACE FOR THE BOTTOM IS THE SAME AS THE TOP WIRE BENDING SPACE.



Catalog Number: 9080-LBA361101/9080-LBA361104
 Ratings: 800VAC, 115 AMP
 UL File/CDN: E80B18/XCFR2
 CSA File/Class: LR70381
 Meets Standards: -
 Weight: -
 Wire Size: SEE CHART
 Terminal torque: -
 Mounting Hwd.: #8 SCREWS

DUAL DIMENSIONS: INCHES
 MILLIMETERS

TERMINAL BLOCKS
 (POWER DISTRIBUTION BLOCKS)
 CLASS 9080 TYPE LBA



DWG# E0803201-01
 NO.