

Please read and save these instructions. Read carefully before attempting to assemble, install, operate or maintain the product described. Protect yourself and others by observing all safety information. Failure to comply with instructions could result in personal injury and/or property damage! Retain instructions for future reference.

Speedaire® 1/4" Mini Straight Die Grinder

Description

Speedaire angle die grinder is designed for cleaning tire molding, porting and general high-speed polishing and grinding in confined areas.

Includes:

- 1 - Die Grinder
- 2 - Spanner Wrenches



Figure 1

Unpacking

When unpacking the unit, carefully look for any damage that may have occurred during transit. Check for loose, missing or damaged parts.

Specifications

Free Speed	25,000 RPM
Collect size	1/4"
Exhaust	Rear
Length	4.92"
Weight	0.75 LBS
Average air consumption.....	1.83CFM
Hose Size	3/8"
Air inlet.....	1/4"
Required pressure.....	90PSI

Safety Guidelines

This manual contains information that is very important to know and understand. This information is provided for SAFETY and to PREVENT EQUIPMENT PROBLEMS. To help recognize this information, observe the following symbols.

⚠ DANGER Danger indicates an imminently hazardous situation which, if not avoided, WILL result in death or serious injury.

⚠ WARNING Warning indicates a potentially hazardous situation which, if not avoided, COULD result in death or serious injury.

⚠ CAUTION Caution indicates a potentially hazardous situation which, if not avoided, MAY result in minor or moderate injury.

NOTICE Notice indicates important information, that if not followed, may cause damage to equipment.

General Safety Information

1. **For Additional Safety information Consult:**
Your employer, union, and/or trade association.
US Department of Labor (OSHA); www.osha.gov.
" Safety Code For Portable Air Tools" (B186.1) available from: www.ansi.org.
2. **Entanglement Hazards**
Keep away from rotating spindle and accessory.

⚠ CAUTION Do not wear jewelry or loose clothing.

Scalping can occur if hair is not kept away from tool and accessories.

3. **Workplace Hazards**

⚠ DANGER Slip/Trip/Fall is a major cause of serious injury or death. Beware of excess hose left on the walking or work surface.

Maintain a balanced body position and secure footing. Repetitive work motions, awkward positions and exposure to vibration can be harmful to hands and arms. If numbness, tingling, pain or whitening of the skin occurs, stop. Avoid inhaling dust or handling debris from the work process which can be harmful to your health. Use dust extraction and wear respiratory protective equipment when working with materials which

produce airborne particles. This tool is not intended for use in explosive atmospheres and is not insulated for contact with electric power sources. Potentially explosive atmospheres can be caused by dust and fumes resulting from sanding or grinding. Use dust extraction or suppression system which are suitable for the material being processed.

⚠ DANGER Some dust created by power sanding, sawing, grinding, drilling and other construction activities contains chemicals known to the State of California to cause cancer and birth defects or other reproductive harm.

Some examples of these chemicals are:

- Lead from lead based paints
- Crystalline silica bricks and cement and other masonry products
- And Arsenic and chromium from chemically-treated rubber

Your risk from these exposures varies, depending on how often you perform this type of work. To reduce your exposure to these chemicals: work in a well ventilated area, and work with approved safety equipment, such as dust masks that are specially designed to filter out microscopic particles. For professional use only.

Installation

Designed to operate on 90 PSI, lower pressure (below 90 PSI) will reduce performance of the tool while higher air pressure (over 90 PSI) raises the of the tool beyond its rated capacity and could cause serious damage to tool and user.

⚠ WARNING

To reduce risk of injury, everyone using, installing, repairing, maintaining, changing accessories on, or working near this tool must read and understand these instructions before performing any such task.



ENGLISH

ESPAÑOL

FRANÇAIS

Speedaire® 1/4" Mini Straight Die Grinder

ENGLISH

▲ WARNING *Always use clean dry air. Excessive moisture and dirt will greatly reduce the life of any air motor.*

We recommend the installation of an inline filter-regulator-lubricator as close to the tool as possible.

Pre-Operation

Before the tool is connected to the air supply, clean the air hose of accumulated dust and moisture. Before removing a tool for service or changing accessories, make sure the air line is shutoff and drained of air. This will prevent the tool from operating if the throttle is accidentally engaged.

Operation

1. Supply tool with 90 PSI of clean, dry air. Higher pressure drastically reduces tool life. Connect tool to air line using pipe, hose and fitting sizes shown in Figure 2. Do not install a quick coupler directly into the grinder throttle handle.
2. **Operating Hazards.** Never mount a grinding wheel, cut off wheel or router cutter on a die grinder or tire buffer. A grinding wheel or other accessory that bursts can cause very serious injury or death. Grinding accessory's rated speed must be equal to or greater than the speed of the die grinder. Use only mounted wheels or tire buffing accessories with adequate speed rating and the correct shaft diameter. Do not use wire brushes, drill bits, or any other accessory other than mounted wheels, burrs and tire buffing accessories. Damaged, worn or incorrectly mounted accessories can cause

higher vibration. To reduce exposures to vibration ensure burring tools are sharp and this tool and all accessories are in proper working condition.

Ensure that the workpiece is properly supported. Avoid direct contact with rotating spindle and accessory to prevent cutting of hands or other body parts. Wear gloves to help protect hands. Tool continues to run after the throttle lever has been released. Do not disable the lock off feature on the throttle lever.

This tool and its accessories must not be modified. Operators and maintenance personnel must be physically able to handle the power of the tool and capable of performing the job task. Always wear impact-resistant eye and face protection when involved with or near the operation, repair or maintenance of the tool or changing accessories on the tool. Gloves and protective clothing are recommended.

Even small projectiles can injure eyes and cause blindness. Be sure all others in the area are wearing impact-resistant eye and face protection. Measure the air tool speed daily with a tachometer to make sure it is not greater than the RPM marked on the grinding accessory. Maximize the gripping length of the accessory, it must not be less than .390 in. (10mm). Increased overhang of a mounted wheel reduces its permitted speed - refer to manufacture's recommendations and (ANSI B 7.1).

3. Air Supply and Connection Hazards.

Air under pressure can cause severe injury.

Always shut off air supply, drain hose of air pressure and disconnect tool from air supply when not in use, before changing accessories or when making repairs.

Never direct air at yourself or anyone else.

Whipping hoses can cause serious injury. Always check for damaged or loose hoses and fittings.

Do not use quick disconnect couplings at tool. See Figure 2 for correct set-up.

Whenever universal twist couplings are used, lock pins must be installed.

▲ CAUTION *Do not exceed maximum air pressure of 90 PSI*

Maintenance

Lubrication

Use an air line lubricator with Mobil Almo 525 air tool oil (model 4ZF22), adjusted to two (2) drops per minute. If an air line lubricator can not be used, add air motor oil to the inlet once a day.

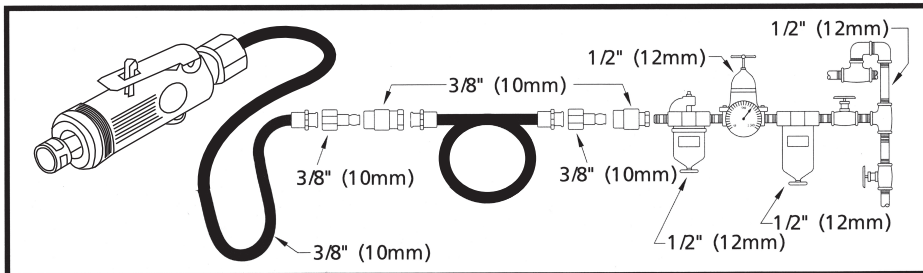


Figure 2 - Air Diagram

For Repair Parts, call 1-800-323-0620

24 hours a day – 365 days a year

Please provide following information:

- Model number
- Serial number (if any)
- Part description and number as shown in parts list

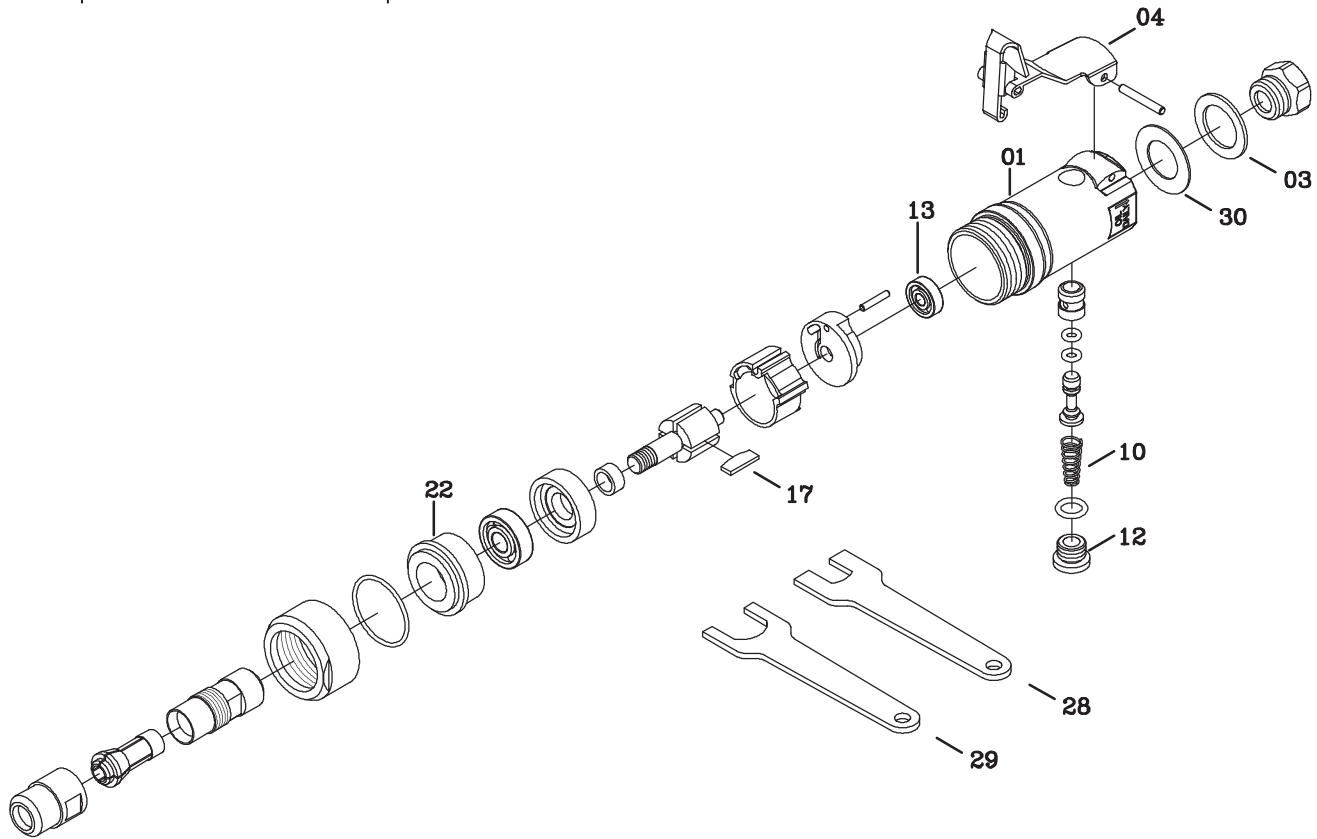


Figure 3 - Repair Parts Illustration for 1/4" Mini Straight Die Grinder

Repair Parts List

Ref. No.	Description	Part No.	Qty.
1	Throttle Handle	PN10D232001G	1
3	Exhaust Deflector	PN10D232003G	1
4	Throttle Lever	PN10D232004G	1
10	Spring	PN10D232010G	1
12	Valve Plug	PN10D232012G	1
13	Ball Bearing	PN10D232013G	1
17	Rotor Blade	PN10D232017G	4
22	Ball Bearing	PN10D232022G	1
28	11mm Spanner Wrench	PN10D232039G	1
29	17mm Disc Wrench	PN10D235029G	1

ENGLISH

Speedaire® 1/4" Mini Straight Die Grinder

LIMITED WARRANTY

DAYTON ONE-YEAR LIMITED WARRANTY. SPEEDAIRE® 10D235 , MODELS COVERED IN THIS MANUAL, ARE WARRANTED BY DAYTON ELECTRIC MFG. CO. (DAYTON) TO THE ORIGINAL USER AGAINST DEFECTS IN WORKMANSHIP OR MATERIALS UNDER NORMAL USE FOR ONE YEAR AFTER DATE OF PURCHASE. ANY PART WHICH IS DETERMINED TO BE DEFECTIVE IN MATERIAL OR WORKMANSHIP AND RETURNED TO AN AUTHORIZED SERVICE LOCATION, AS DAYTON DESIGNATES, SHIPPING COSTS PREPAID, WILL BE, AS THE EXCLUSIVE REMEDY, REPAIRED OR REPLACED AT DAYTON'S OPTION. FOR LIMITED WARRANTY CLAIM PROCEDURES, SEE "PROMPT DISPOSITION" BELOW. THIS LIMITED WARRANTY GIVES PURCHASERS SPECIFIC LEGAL RIGHTS WHICH VARY FROM JURISDICTION TO JURISDICTION.

LIMITATION OF LIABILITY. TO THE EXTENT ALLOWABLE UNDER APPLICABLE LAW, DAYTON'S LIABILITY FOR CONSEQUENTIAL AND INCIDENTAL DAMAGES IS EXPRESSLY DISCLAIMED. DAYTON'S LIABILITY IN ALL EVENTS IS LIMITED TO AND SHALL NOT EXCEED THE PURCHASE PRICE PAID.

WARRANTY DISCLAIMER. A DILIGENT EFFORT HAS BEEN MADE TO PROVIDE PRODUCT INFORMATION AND ILLUSTRATE THE PRODUCTS IN THIS LITERATURE ACCURATELY; HOWEVER, SUCH INFORMATION AND ILLUSTRATIONS ARE FOR THE SOLE PURPOSE OF IDENTIFICATION, AND DO NOT EXPRESS OR IMPLY A WARRANTY THAT THE PRODUCTS ARE MERCHANTABILITY, OR FIT FOR A PARTICULAR PURPOSE, OR THAT THE PRODUCTS WILL NECESSARILY CONFORM TO THE ILLUSTRATIONS OR DESCRIPTIONS. EXCEPT AS PROVIDED BELOW, NO WARRANTY OR AFFIRMATION OF FACT, EXPRESSED OR IMPLIED, OTHER THAN AS STATED IN THE "LIMITED WARRANTY" ABOVE IS MADE OR AUTHORIZED BY DAYTON.

Technical Advice and Recommendations, Disclaimer. Notwithstanding any past practice or dealings or trade custom, sales shall not include the furnishing of technical advice or assistance or system design. Dayton assumes no obligations or liability on account of any unauthorized recommendations, opinions or advice as to the choice, installation or use of products.

Product Suitability. Many jurisdictions have codes and regulations governing sales, construction, installation, and/or use of products for certain purposes, which may vary from those in neighboring areas. While attempts are made to assure that Dayton products comply with such codes, Dayton cannot guarantee compliance, and cannot be responsible for how the product is installed or used. Before purchase and use of a product, review the product applications, and all applicable national and local codes and regulations, and be sure that the product, installation, and use will comply with them.

Certain aspects of disclaimers are not applicable to consumer products; e.g., (a) some jurisdictions do not allow the exclusion or limitation of incidental or consequential damages, so the above limitation or exclusion may not apply to you; (b) also, some jurisdictions do not allow a limitation on how long an implied warranty lasts, consequently the above limitation may not apply to you; and (c) by law, during the period of this Limited Warranty, any implied warranties of implied merchantability or fitness for a particular purpose applicable to consumer products purchased by consumers, may not be excluded or otherwise disclaimed.

Prompt Disposition. A good faith effort will be made for prompt correction or other adjustment with respect to any product which proves to be defective within limited warranty. For any product believed to be defective within limited warranty, first write or call dealer from whom the product was purchased. Dealer will give additional directions. If unable to resolve satisfactorily, write to Dayton at address below, giving dealer's name, address, date, and number of dealer's invoice, and describing the nature of the defect. Title and risk of loss pass to buyer on delivery to common carrier. If product was damaged in transit to you, file claim with carrier.

Manufactured for Dayton Electric Mfg. Co., 5959 W. Howard St., Niles, Illinois 60714-4014 U.S.A.

Por favor lea y guarde estas instrucciones. Léalas cuidadosamente antes de tratar de montar, instalar, operar o dar mantenimiento al producto aquí descrito. Protéjase usted mismo y a los demás observando toda la información de seguridad. ¡El no cumplir con las instrucciones puede ocasionar daños, tanto personales como a la propiedad! Guarde estas instrucciones para referencia en el futuro.

Speedaire® 1/4" Mini Rectificadora

Descripción

Esmeriladora de uso general Speedaire diseñada para la limpieza de moldes de neumáticos, orificios y el pulido y rectificación generales de alta velocidad en áreas cerradas.

Incluye:

- 1 - Mini Rectificadora de angulos
- 2 - Llave



Figura 1

Desempaque

Cuando desempaque la unidad, verifique cuidadosamente si han ocurrido daños durante el envío. Revise si hay partes que faltan, que están sueltas o que están dañadas.

Specifications

Velocidad Máxima Libre.....	25,000Rpm
Capacidad del mandril.....	1/4"
Exhaust type.....	Frente
Longitud.....	4.92"
Pesos.....	0.75Lbs
Consumo promedio de aire.....	1.83Cfm
Recomendado.....	3/8"
Entrada de aire.....	1/4"
Presión de aire maxima.....	90 psi

Medidas de Seguridad

Este manual contiene información que es muy importante que sepa y comprenda. Esta información se la suministramos como medida de SEGURIDAD y para EVITAR PROBLEMAS CON EL EQUIPO. Debe reconocer los siguientes símbolos.

⚠ PELIGRO Esto indica que hay una situación inmediata que le ocasionaría la muerte o heridas de gravedad.

⚠ ADVERTENCIA Esto indica que hay una situación que PODRÍA ocasionar la muerte o heridas de gravedad.

⚠ PRECAUCION Esto indica que hay una situación que PODRÍA ocasionar heridas no muy graves.

AVISO Esto le indica una información importante, que de no seguirla, le podría ocasionar daños al equipo.

Información de Seguridad General

1. Para más información de seguridad, consulte:

A su empresa, sin dicato, asociación de empleados, etc.

Con el Ministerio de trabajo de EE.UU. (OSHA); www.osha.gov; "Safety Code for Portable Air Tools" (B186.1) disponible en: www.ansi.org

2. Riesgo De Aprisionamiento

No se acerque a la broca ni al portabrocas mientras rotan.

⚠ PRECAUCION No lleve joyas ni ropas holgadas.

3. Riesgos En El Lugar De Trabajo

Los resbalones, caídas y tropiezos son uno de los principales motivos de accidentes laborales graves y muertes. Tenga mucho cuidado de no tender excesivas mangueras de aire en la superficie de trabajo o en lugares de paso.

Mantenga una posición corporal equilibrada y asiente firmemente los pies en el suelo.

Los sonidos a gran volumen pueden producir pérdidas permanentes de capacidad auditiva. Utilice las protecciones sonoras que recomiende su empresa o que dicten las normas de sanidad laboral aplicables. Los movimientos repetitivos, las posturas forzadas y la exposición a vibraciones pueden ser perjudiciales para las manos y los brazos. En caso de pérdida de sensibilidad,

hormigueo, dolores o palidez de la piel, deje de utilizar la herramienta y consulta con un médico.

Evite la inhalación de polvo o el manejo de residuos producidos en el trabajo, ya que pueden resultar perjudiciales para su salud. Utilice un mecanismo de extracción de polvo y use equipo de protección respiratoria cuando trabaje con materiales que producen partículas que pueden ser transportadas por el aire.

Tenga sumo cuidado en entornos que no conozca. Siempre hay peligros ocultos, como la perforación en líneas de tendido eléctrico o de otro tipo de servicios.

Esta herramienta no está diseñada para utilizarse en ambientes explosivos ni lleva aislamiento especial contra contactos con fuentes de corriente eléctrica.

⚠ PELIGRO Las operaciones de lijar, aserruchar, esmerilar, taladrar y otras actividades de construcción producen polvo que podría contener productos químicos que se ha demostrado en el Estado de California que causan cáncer, defectos de nacimiento u otros daños reproductivos. Algunos ejemplos de estos productos químicos son los siguientes:

- Plomo de las pinturas con base de plomo
- Cemento y ladrillos de sílice cristalina y otros productos de mampostería
- Arsénico y cromo del caucho sometido a tratamiento químico

El riesgo de exposición varía de acuerdo con la frecuencia que usted realice este tipo de trabajo. Para reducir su exposición a estos productos químicos: trabaje en una área bien ventilada y con equipo de seguridad apropiado, tal como máscaras con filtro especialmente diseñadas para filtrar

⚠ ADVERTENCIA

Con el fin de reducir el riesgo de lesión toda persona que utilice, instale, repare, mantenga, cambie accesorios o trabaje cerca de esta herramienta debe leer y comprender estas instrucciones antes de llevar a cabo cualquiera de las tareas antes mencionadas.



Speedaire® 1/4" Mini Rectificadora

Información de Seguridad General (continuado)

las partículas microscópicas.
Sólo para uso profesional.

Instalación

La herramienta ha sido diseñada para operar a 620 kPa, por lo tanto, la presión más baja (por debajo de 620 kPa) reducirá su rendimiento y la presión de aire más alta (sobre 620 kPa) aumentará el rendimiento de la herramienta por sobre su capacidad nominal, lo que podría dañarla gravemente o lesionar al usuario. Siempre use aire limpio y seco. La humedad excesiva y la mugre reducen considerablemente la duración de cualquier motor de aire. Recomendamos la instalación en línea de un filtro-regulador-lubricador, tan cerca de la herramienta como sea posible.

Antes del Uso

Antes de que la herramienta se conecte con el abastecimiento de aire, despeje el polvo y la humedad que se han acumulado en la manguera de aire. Antes de remover una herramienta para darle servicio o para cambiar accesorios asegúrese que la tubería de aire esté apagada y sin aire. Esto evitará que la herramienta opere si el mando se engancha por accidente.

Operación

OPERACIÓN DEL TALADRO CON PORTABROCAS SIN LLAVE

1. La herramienta requiere aire limpio y seco suministrado a una presión de 620 kPa bar. Cualquier presión superior puede reducir drásticamente la vida útil de la herramienta. Conecte la herramienta en la línea de aire usando el tubo y la manguera; encaje las piezas según los tamaños indicados en Figura 2.
2. **Riesgos Derivados Del Uso**
Nunca monte una rueda de rectificar, rueda de corte o cortadora buriladora sobre una rectificadora de matrices o raspador de neumáticos. Una rueda de rectificar u otro accesorio que se desintegre puede producir lesiones extremadamente graves o aún la muerte.
La velocidad nominal del accesorio

rectificador debe ser igual o mayor que la velocidad de la rectificadora de matrices.

Sólo use ruedas montadas o accesorios de raspado de neumáticos con clasificación de velocidad adecuada y diámetro correcto del eje. No use cepillos metálicos, brocas u otro accesorio, excepto por las barbas de ruedas montadas y accesorios de raspado de neumáticos.

Los accesorios dañados, gastados o montados incorrectamente pueden aumentar las vibraciones, asegure que las herramientas desbarbadoras estén afiladas y que esta herramienta y todos los accesorios estén en buenas condiciones de funcionamiento.

Asegure que la pieza de trabajo esté apoyada correctamente. Evite el contacto directo con la cabeza giradora y los accesorios para prevenir cortes en las manos o en cualquier otra parte del cuerpo. Lleve guantes para proteger las manos. La herramienta continúa funcionando después de haber soltado la palanca del acelerador.

Utilice el cierre de seguridad de la palanca de admisión de aire.

Ni la herramienta ni sus accesorios deben sufrir modificaciones.

Los usuarios y el personal de mantenimiento han de manejar la físicamente capaces de manejar la herramienta y de llevar a cabo las tareas asignadas.

Utilice siempre protección facial y ocular resistente a impactos cuando esté en contacto o próximo al funcionamiento, reparación o mantenimiento de la herramienta o al cambio de accesorios de la misma. Se recomienda el uso de guantes y ropa protectora.

Incluso la proyección de pequeños trozos puede dañar los ojos y ocasionar ceguera.

Asegúrese de que las otras personas que se encuentran en el área de trabajo también utilizan protección facial y ocular resistente a impactos. Mida diariamente la velocidad de la herramienta neumática con un tacómetro para verificar que no sea más alta que las RPM marcadas en el accesorio de esmerilado.

Aumente al máximo la longitud de agarre del accesorio, no debe ser

inferior a 0,390 pulg. (10mm). Si la sección sobresaliente de una rueda montada aumenta, te de una rueda montada aumenta, se reduce la velocidad permitida - consulte las recomendaciones del fabricante y (ANSI B7.1).

3. Riesgos De Suministro De Aire Y Conexiones

El aire a presión puede producir daños importantes.

Cuando no utilice la herramienta, cuando vaya a cambiar algún accesorio o vaya a efectuar reparaciones, cierre siempre el suministro de aire, cierre la manguera de drenaje de presión de aire y desconecte la herramienta.

No dirija nunca el chorro de aire hacia usted o ningún otro.

La manguera de conexión puede ser muy peligrosa, verifique siempre la manguera y sus conexiones.

No utilice acoplamientos de desconexión rápida con esta herramienta. Para el uso correcto, consulte las Figura 2 instrucciones.

Cuando emplee acoplamientos universales por torcedura, debe instalar clavijas de cierre.

PRECAUCION Nunca supere la presión máxima de aire (620 kPa o según indique la placa de la herramienta).

Mantenimiento

Lubricación

Utilice una copa de lubricación con aceite para herramientas neumáticas Mobil Almo 525 (modelo 4ZF22), regulado a suministrar dos gotas por minuto. En caso de no disponer de una copa, aplique aceite de motor neumático a la entrada una vez al día.

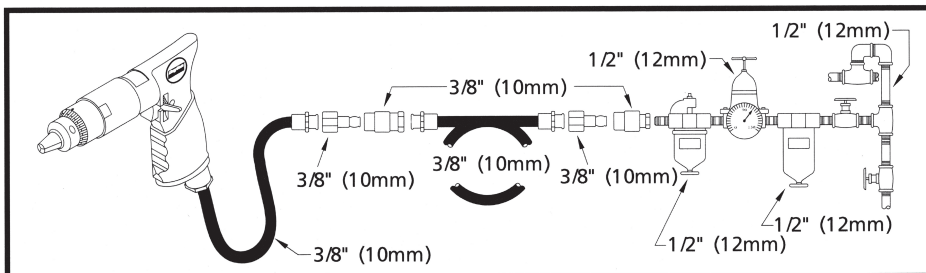


Figura 2 - Preparación de Tubería de Aire Recomendada

**Para Obtener Partes de Reparación en México Llame al 001-800-527-2331
en EE.UU. Llame al 1-800-323-0620**

Servicio permanente - 24 horas al día al año

Por favor proporciónenos la siguiente información:

- Número de modelo
- Número de serie (si lo tiene)
- Descripción de la parte y número que le corresponde en la lista de partes

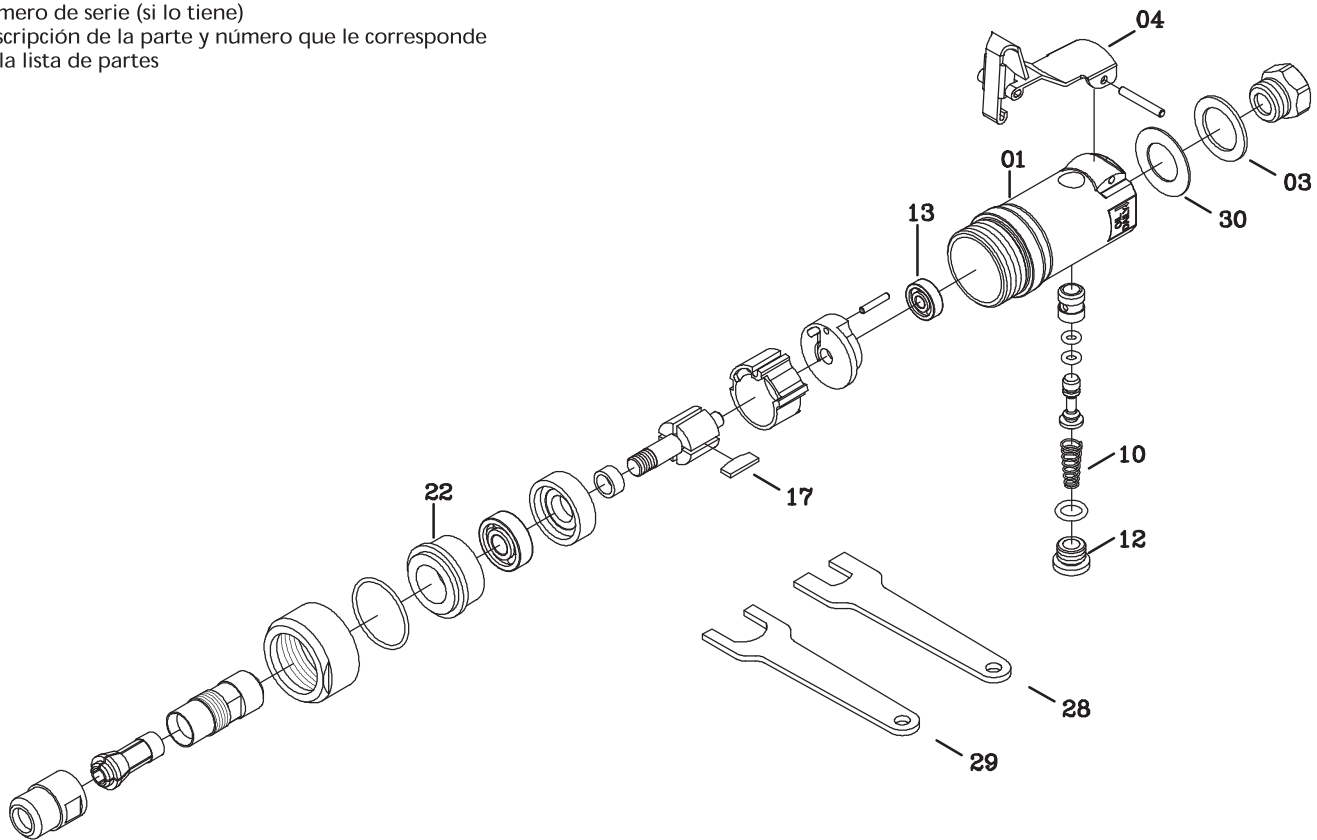


Figura 3 - Ilustración de las Partes de Repuesto

Lista de las Partes de Repuesto

No. de Ref.	Descripción	No. de Parte	Cant.
1	Mango del acelerador	PN10D232001G	1
3	Deflector de escape	PN10D232003G	1
4	Palanca de acelerador	PN10D232004G	1
10	Resorte	PN10D232010G	1
12	Tornillo de válvula	PN10D232012G	1
13	Cojinete de bolas	PN10D232013G	1
17	Alabe de rotor	PN10D232017G	4
22	Cijinete de bolas	PN10D232022G	1
28	Llave	PN10D232039G	1
29	Llave	PN10D235029G	1

Speedaire® 1/4" Mini Rectificadora

GARANTIA LIMITADA

GARANTIA LIMITADA DE DAYTON POR UN AÑO. DAYTON ELECTRIC MFG. CO. (DAYTON) LE GARANTIZA AL USUARIO ORIGINAL QUE LOS MODELOS TRATADOS EN ESTE MANUAL [DEL/DE LA/DE LOS/DE LAS] 10D235 SPEEDAIRE® ESTAN LIBRES DE DEFECTOS EN LA MANO DE OBRA O EL MATERIAL, CUANDO SE LES SOMETE A USO NORMAL, POR UN AÑO A PARTIR DE LA FECHA DE COMPRA. CUALQUIER PARTE QUE SE HALLE DEFECTUOSA, YA SEA EN EL MATERIAL O EN LA MANO DE OBRA, Y SEA DEVUELTA (CON LOS COSTOS DE ENVIO PAGADOS POR ADELANTADO) A UN CENTRO DE SERVICIO AUTORIZADO DESIGNADO POR DAYTON, SERA REPARADA O REEMPLAZADA (NO EXISTE OTRA POSIBILIDAD) SEGUN LO DETERMINE DAYTON. PARA OBTENER INFORMACION SOBRE LOS PROCEDIMIENTOS DE RECLAMO CUBIERTOS EN LA GARANTIA LIMITADA, VEA LA SECCION "ATENCION OPORTUNA" QUE APARECE MAS ADELANTE. ESTA GARANTIA LIMITADA CONFIERE AL COMPRADOR DERECHOS LEGALES ESPECIFICOS QUE VARIAN DE JURISDICCION A JURISDICCION.

LIMITES DE RESPONSABILIDAD. EN LA MEDIDA EN QUE LAS LEYES APLICABLES LO PERMITAN, LA RESPONSABILIDAD DE DAYTON POR LOS DAÑOS EMERGENTES O INCIDENTALES ESTA EXPRESAMENTE EXCLUIDA. LA RESPONSABILIDAD DE DAYTON EXPRESAMENTE ESTA LIMITADA Y NO PUEDE EXCEDER EL PRECIO DE COMPRA PAGADO POR EL ARTICULO.

EXCLUSION DE RESPONSABILIDAD DE LA GARANTIA. SE HAN HECHO ESFUERZOS DILIGENTES PARA PROPORCIONAR INFORMACION E ILUSTRACIONES APROPIADAS SOBRE EL PRODUCTO EN ESTE MANUAL; SIN EMBARGO, ESTA INFORMACION Y LAS ILUSTRACIONES TIENEN COMO UNICO PROPOSITO LA IDENTIFICACION DEL PRODUCTO Y NO EXPRESAN NI IMPLICAN GARANTIA DE QUE LOS PRODUCTOS SEAN VENDIBLES O ADECUADOS PARA UN PROPOSITO EN PARTICULAR NI QUE SE AJUSTAN NECESARIAMENTE A LAS ILUSTRACIONES O DESCRIPCIONES. CON EXCEPCION DE LO QUE SE ESTABLECE A CONTINUACION, DAYTON NO HACE NI AUTORIZA NINGUNA GARANTIA O AFIRMACION DE HECHO, EXPRESA O IMPLICITA, QUE NO SEA ESTIPULADA EN LA "GARANTIA LIMITADA" ANTERIOR.

Consejo Técnico y Recomendaciones, Exclusiones de Responsabilidad. A pesar de las prácticas, negociaciones o usos comerciales realizados previamente, las ventas no deberán incluir el suministro de consejo técnico o asistencia o diseño del sistema. Dayton no asume ninguna obligación o responsabilidad por recomendaciones, opiniones o consejos no autorizados sobre la elección, instalación o uso de los productos.

Adaptación del Producto. Muchas jurisdicciones tienen códigos o regulaciones que rigen la venta, la construcción, la instalación y/o el uso de productos para ciertos propósitos que pueden variar con respecto a los aplicables a las zonas vecinas. Si bien se trata de que los productos Dayton cumplan con dichos códigos, no se puede garantizar su conformidad y no se puede hacer responsable por la forma en que se instale o use su producto. Antes de comprar y usar el producto, revise su aplicación y todos los códigos y regulaciones nacionales y locales aplicables y asegúrese de que el producto, la instalación y el uso los cumplan.

Ciertos aspectos de limitación de responsabilidad no se aplican a productos al consumidor; es decir (a) algunas jurisdicciones no permiten la exclusión ni limitación de daños incidentales o consecuentes, de modo que las limitaciones o exclusiones anteriores quizás no apliquen en su caso; (b) asimismo, algunas jurisdicciones no permiten limitar el plazo de una garantía implícita, por lo tanto, la limitación anterior quizás no aplique en su caso; y (c) por ley, mientras la Garantía Limitada esté vigente no podrán excluirse ni limitarse en modo alguno ninguna garantía implícita de comercialización o de idoneidad para un propósito en particular aplicables a los productos al consumidor adquiridos por éste.

Atención Oportuna. Se hará un esfuerzo de buena fe para corregir puntualmente, o hacer otros ajustes, con respecto a cualquier producto que resulte defectuoso dentro de los términos de esta garantía limitada. En el caso de que encuentre un producto defectuoso y que esté cubierto dentro de los límites de esta garantía haga el favor de escribir primero, o llame, al distribuidor a quien le compró el producto. El distribuidor le dará las instrucciones adicionales. Si no puede resolver el problema en forma satisfactoria, escriba a Dayton a la dirección a continuación, dando el nombre del distribuidor, su dirección, la fecha y el número de la factura del distribuidor y describa la naturaleza del defecto. La propiedad del artículo y el riesgo de pérdida pasan al comprador en el momento de la entrega del artículo a la compañía de transporte. Si el producto se daña durante el transporte, debe presentar su reclamo a la compañía transportista.

Fabricado para Dayton Electric Mfg. Co., 5959 W. Howard St., Niles, Illinois 60714-4014 EE.UU.

Veillez lire et conserver ces instructions. Lire attentivement avant de commencer à assembler, installer, faire fonctionner ou entretenir l'appareil décrit. Protégez-vous et les autres en observant toutes les informations sur la sécurité. Négliger d'appliquer ces instructions peut résulter en des blessures corporelles et/ou en des dommages matériels ! Conserver ces instructions pour références ultérieures.

Speedaire® 1/4" Ponceuse

Description

La perceuse réversible légère et compacte Speedaire est utilisée pour la maintenance, l'assemblage léger et la réparation automobile. Équipée d'une poignée confortable, d'un contrôle précis de la vitesse, et d'un moteur et de pignons durables.

Inclut:

- 1 - Ponceuse dangles
- 1 - Clé



Figure 1

Déballage

Lors du déballage de l'outil, vérifiez-le soigneusement pour rechercher tout dommage susceptible de s'être produit en cours de transport. Rechercher également toute pièce desserrée, manquante ou endommagée.

Caractéristiques techniques

Vitesse libre.....	25,000Rpm
Capacité du mandrin.....	1/4"
Exhaust type.....	Anvant
Longueur.....	4.92"
Le poids.....	0.75 Lbs
Consommation d'air moyenne	1.83Cfm
Diam. Int. de tuyau recommandé.....	3/8"
Arrivée d'air.....	1/4"
Pression d'air maximum.....	90PSI

Direct de Sécurité

Ce manuel contient de l'information très importante qui est fournie pour la SÉCURITÉ et pour EVITER LES PROBLÈMES D'ÉQUIPEMENT. Recherchez les symboles suivants dans cette information.

▲ DANGER Danger indique une situation hasardeuse imminente qui RESULTE en perte de vie ou blessures graves.

▲ AVERTISSEMENT Avertissement indique une situation hasardeuse potentielle qui PEUT résulter en perte de vie ou blessures graves.

▲ ATTENTION Attention indique une situation hasardeuse potentielle qui PEUT résulter en blessures

AVIS Avis indique l'importance de lire attentivement ces instructions au préalable pour éviter le dommage de l'équipement.

Information de sécurité générale

- Pour obtenir des renseignements supplémentaires sur les mesures de sécurité, veuillez consulter:**

Votre employeur, syndicat et/ou association commerciale. Le ministère du travail des Etats-Unis (OSHA), www.osha.gov

Le code de sécurité pour les outils pneumatiques portatifs "Safety Code For Portable Air Tools" (B 186.1) disponible auprès de: www.ansi.org.

- Risques Encourus Par Enchevêtrement**

Ne vous approchez pas du foret ou mandrin en cours d'utilisation.

▲ ATTENTION Ne portez pas de bijoux ou de vêtements amples.

- Risques Sur Le Lieu De Travail**

Les chutes peuvent être à l'origine de blessures graves, voire mortelles.

Faites attention aux tuyaux qui traînent par terre ou sur le plan de travail.

Adoptez une position bien équilibrée et évitez toute surface glissante.

Un fort niveau sonore peut provoquer une perte auditive irréversible. Portez le modèle de casque antibruit préconisé par votre employeur ou la réglementation O.S.H.A. (voir 29 CFR part 1910).

Des gestes répétitifs, de mauvaises positions et une exposition aux vibrations peuvent avoir des effets

nuisibles sur les membres supérieurs. En cas de sensation d'engourdissement, de picotement, de douleur ou en cas de décoloration de la peau, cessez d'utiliser l'outil et consultez un médecin.

Évitez de respirer la poussière et les débris provenant des travaux; ces produits peuvent être dangereux. Utilisez un équipement d'extraction de la poussière et portez un appareil respiratoire lorsque vous travaillez avec des matériaux qui génèrent des particules aéroportées.

Agissez avec prudence dans un environnement non familier. Des risques cachés peuvent survenir tel que le perçage d'une ligne électrique ou autre.

Cet outil ne doit pas être utilisé dans un endroit où sont stockés des explosifs et, n'étant pas isolé, ne doit pas être mis en contact avec une source électrique.

▲ DANGER Certaines poussières générées par les activités de construction telles que ponçage, sciage, meulage, perçage, etc, contiennent des substances chimiques qui, selon l'Etat de Californie, sont cancérigènes ou peuvent causer des anomalies congénitales ou encore constituer des dangers pour la reproduction.

Risques sur le lieu de travail (continué)

Exemples de tels produits chimiques:

- Plomb provenant des peintures au plomb;
- Silice cristalline provenant des briques, du ciment et d'autres matériaux de maçonnerie;
- Arsenic et chrome provenant des caoutchoucs traités chimiquement.

Votre risque d'exposition à ces produits nocifs dépend de la fréquence à laquelle vous effectuez ces travaux. Pour réduire votre exposition à ces produits chimiques,

▲ ATTENTION

Por réduire les risques d'accidents, il est impératif que toute personne qui utilise, installe ou répare cet outil, qui change des accessoires ou travaille à proximité lise attentivement ces instructions au préalable.

Speedaire® 1/4"

Ponceuse

Information de sécurité générale (con tinué)

travaillez dans un local bien aéré et portez un équipement de protection homologué tel que des masques anti-poussières spécialement conçus pour arrêter les particules microscopiques. Pour utilisation professionnelle uniquement.

Installation

L'outil est conçu pour fonctionner à une pression de 620 kPa. Son fonctionnement à une pression inférieure rend l'outil moins performant, alors que son fonctionnement à une pression supérieure accroît ses performances au-delà de sa capacité nominale et risque d'endommager l'outil et de blesser l'utilisateur.

Alimentez toujours l'outil en air propre et sec. Une humidité et une saleté excessives réduisent grandement la durée de service de tout moteur pneumatique. Nous recommandons la pose d'un filtre-régulateur-lubrificateur sur la conduite, aussi près de l'outil que possible.

Avant utilisation

Avant de raccorder l'outil à l'alimentation en air, nettoyez le tuyau d'air pour le débarrasser de la poussière et de l'eau. Avant de débrancher un outil pour entretien ou changement de accessoires, veillez à couper l'alimentation en air et à purger le tuyau de l'air qu'il contient. Cela empêche l'outil de se mettre en marche si sa commande est actionnée accidentellement.

Fonctionnement

1. Cet outil doit être alimenté en air pur et sec à une pression de 620 kPa. Une pression plus élevée entraînerait une usure nettement plus rapide. Reliez l'outil à la ligne d'air en utilisant la conduite, le tuyau et les raccords dans les dimensions indiquées dans Figure 2.

2. Risques de fonctionnement

Ne jamais monter une meule, un disque de coupe ou un outil de toupie sur une meuleuse-crayon ou un dispositif de nettoyage des jantes. Une meule ou tout autre accessoire qui explose peut provoquer des blessures graves ou mortelles. La vitesse nominale de l'accessoire de

meulage doit être égale ou supérieure à la vitesse de la meuleuse-crayon. N'utiliser que des accessoires de nettoyage des jantes ou des disques sur tige ayant une vitesse de rotation certifiée adéquate et une tige de diamètre correct.

Ne pas utiliser de brosses métalliques, de forets ou d'accessoires autres que des accessoires de nettoyage des jantes ou des fraises rotatives sur tige. Les accessoires endommagés, usés ou incorrectement montés peuvent causer des vibrations importantes. Pour réduire les vibrations, s'assurer que les accessoires de meulage sont bien aiguisés et que cet outil et tous les accessoires sont en bon état. S'assurer que la pièce de travail est correctement supportée.

Évitez de toucher l'accessoire et l'axe de rotation sous risque d'être amputé d'une main ou autre. Portez des gants pour vous protéger les mains. L'outil continuera à tourner pendant quelques secondes après avoir relâché la gâchette.

Ne débloquez pas le dispositif de verrouillage sur la poignée d'accélération.

Cet outil et ses accessoires ne doivent pas être modifiés. Puissance et pouvoir effectuer le travail.

portez toujours un masque anti-choc couvrant les yeux et le visage si vous vous tenez près de l'outil, si vous l'utilisez, le réparez, le révisiez ou changez des accessoires. Il est recommandé de porter des gants et des vêtements de protection. Même de petits projectiles peuvent abimer les yeux et provoquer la cécité.

Assurez-vous que toutes les personnes se trouvant à proximité de cette machine portent une protection. Mesurer chaque jour la vitesse de rotation de l'outil avec un tachymètre pour s'assurer qu'elle n'est pas supérieure à la vitesse (Tr/min) indiquée sur l'accessoire de meulage. Maximiser la longueur de la tige de l'accessoire inséré dans la pince. Elle

ne doit pas être inférieure à 10 mm (0,390 po). Plus le disque de montage est loin de la pince, plus sa vitesse de rotation doit être réduite - Voir les recommandations du fabricant et ANSI B7.1

3. Risques Liés À L'air Comprimé

L'air comprimé peut provoquer des blessures graves. Avant de remplacer des accessoires ou d'effectuer une réparation, ou lorsque l'outil est inutilisé, veillez à couper l'arrivée d'air comprimé, à purger le tuyau, puis à le débrancher de l'alimentation principale.

Ne dirigez jamais le jet d'air vers vous ou toute autre personne. Des tuyaux mal raccordés, endommagés ou aux bagues desserrées peuvent provoquer des blessures graves s'ils se détachent. Vérifiez tuyaux et bagues. N'utilisez jamais d'attaches rapides sur l'outil. Reportez-vous Figure 2 d'installation. Si vous utilisez des attaches torsadées universelles, prenez soin d'installer des goupilles de sécurité

ATTENTION Ne dépassez pas une pression d'air maximum de 620 kPa ou celle indiquée sur l'outil.

Entretien Lubrification

Utilisez un lubrificateur sur la canalisation d'air réglé pour dispenser deux gouttes huile pour outils pneumatiques Mobil Almo 525 (modèle 4ZF22) par minute. Si vous ne pouvez pas utiliser un lubrificateur sur la conduite d'air, ajoutez de l'huile de moteur dans l'unité d'admission une fois par jour.

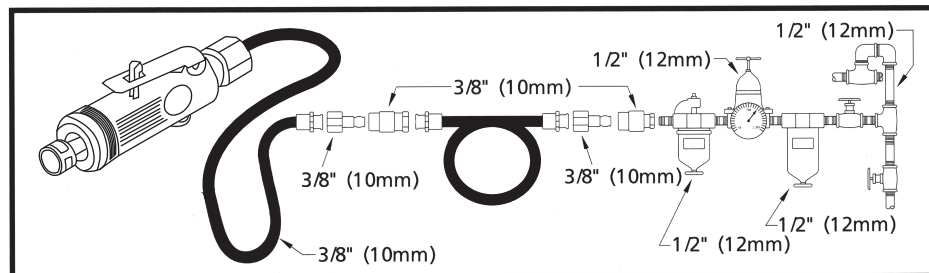


Figure 2 - Configuration recommandée de la conduite d'alimentation en air

Commandez les pièces détachées en appelant gratuitement 1 800 323-0620

24 heures par jour – 365 jours par an

S'il vous plaît fournir l'information suivante :

- Numéro de modèle
- Numéro de série (s'il y en a un)
- Description de la pièce et son numéro comme montré sur la liste de pièces

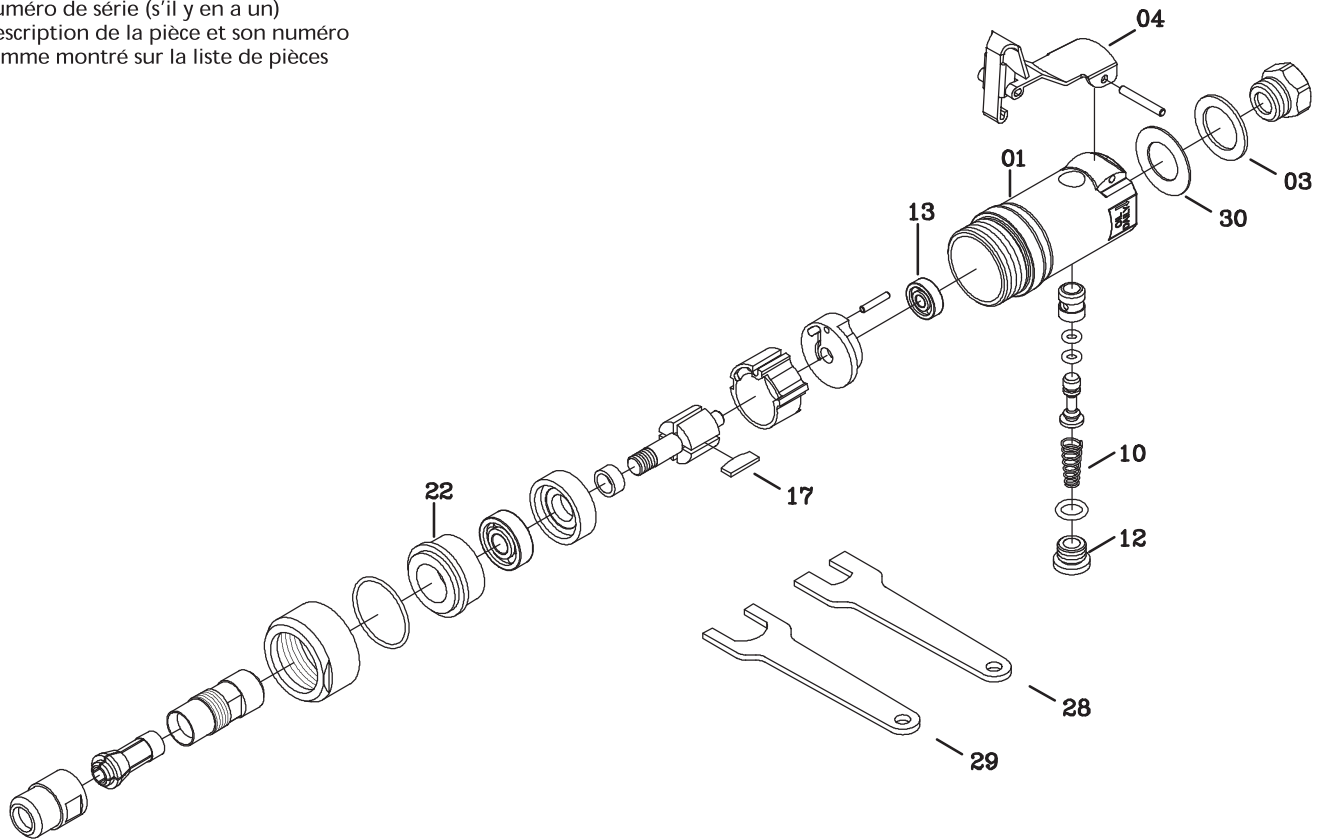


Figure 3 - Illustration des pièces de remplacement

Repair Parts List

N° de réf.	Description	N° de pièce	Qté
1	Poignée ave détente	PN10D232001G	1
3	Défecteur d'étente	PN10D232003G	1
4	Levier d'échappement	PN10D232004G	1
10	Ressort	PN10D232010G	1
12	Obturateur de clapet	PN10D232012G	1
13	Roulement à aiguilles	PN10D232013G	1
17	Ailette de rotor	PN10D232017G	4
22	Roulement à aiguilles	PN10D232022G	1
28	Clé	PN10D232039G	1
29	Clé	PN10D235029G	1

Speedaire® 1/4"

Ponceuse

GARANTIE LIMITÉE

GARANTIE LIMITÉE DE UN AN DE DAYTON. LES MODÈLES 10D235 DE SPEEDAIRE® COUVERTS DANS CE MANUEL SONT GARANTIS À L'UTILISATEUR D'ORIGINE PAR DAYTON ELECTRIC MFG. CO. (DAYTON), CONTRE TOUT DÉFAUT DE FABRICATION OU DE MATÉRIAUX, LORS D'UNE UTILISATION NORMALE, ET CELA PENDANT UN AN APRÈS LA DATE D'ACHAT. TOUTE PIÈCE, DONT LES MATÉRIAUX OU LA MAIN D'OUVRE SERONT JUGÉS DÉFECTUEUX, ET QUI SERA RENVOYÉE PORT PAYÉ, À UN CENTRE DE RÉPARATION AUTORISÉ PAR DAYTON, SERA, À TITRE DE SOLUTION EXCLUSIVE, SOIT RÉPARÉE, SOIT REMPLACÉE PAR DAYTON. POUR LE PROCÉDÉ DE RÉCLAMATION SOUS GARANTIE LIMITÉE, REPORTEZ-VOUS À LA CLAUSE DE « DISPOSITION PROMPTE » CI-DESSOUS. CETTE GARANTIE LIMITÉE DONNE AUX ACHETEURS DES DROITS LÉGAUX SPÉCIFIQUES QUI VARIENT DE JURIDICTION À JURIDICTION.

LIMITES DE RESPONSABILITÉ. LA RESPONSABILITÉ DE DAYTON, DANS LES LIMITES PERMISES PAR LA LOI, POUR LES DOMMAGES INDIRECTS OU FORTUITS EST EXPRESSEMENT DÉNIÉE. DANS TOUS LES CAS LA RESPONSABILITÉ DE DAYTON EST LIMITÉE ET NE DÉPASSERA PAS LA VALEUR DU PRIX D'ACHAT PAYÉ.

DÉSISTEMENT DE GARANTIE. DE DILIGENTS EFFORTS SONT FAITS POUR FOURNIR AVEC PRÉCISION LES INFORMATIONS ET ILLUSTRATIONS DES PRODUITS DÉCRITS DANS CETTE BROCHURE; CEPENDANT, DE TELLES INFORMATIONS ET ILLUSTRATIONS SONT POUR LA SEULE RAISON D'IDENTIFICATION, ET N'EXPRIMENT NI N'IMPLIQUENT QUE LES PRODUITS SONT COMMERCIALISABLES, OU ADAPTABLES À UN BESOIN PARTICULIER, NI QUE CES PRODUITS SONT NÉCESSAIREMENT CONFORMES AUX ILLUSTRATIONS OU DESCRIPTIONS. SAUF POUR CE QUI SUIT, AUCUNE GARANTIE OU AFFIRMATION DE FAIT, ÉNONCÉE OU IMPLICITE, AUTRE QUE CE QUI EST ÉNONCÉ DANS LA « GARANTIE LIMITÉE » CI-DESSUS N'EST FAITE OU AUTORISÉE PAR DAYTON.

Désistement sur les conseils techniques et les recommandations. Peu importe les pratiques ou négociations antérieures ou les usages commerciaux, les ventes n'incluent pas l'offre de conseils techniques ou d'assistance ou encore de conception de système. Dayton n'a aucune obligation ou responsabilité quant aux recommandations non autorisées, aux opinions et aux suggestions relatives au choix, à l'installation ou à l'utilisation des produits.

Conformité du produit. De nombreuses juridictions ont des codes et règlements qui gouvernent les ventes, constructions, installations et/ou utilisations de produits pour certains usages qui peuvent varier par rapport à ceux d'une zone voisine. Bien que Dayton essaie de s'assurer que ses produits s'accordent avec ces codes, Dayton ne peut garantir cet accord, et ne peut être jugée responsable pour la façon dont le produit est installé ou utilisé. Avant l'achat et l'usage d'un produit, revoir les applications de ce produit, ainsi que tous les codes et règlements nationaux et locaux applicables, et s'assurer que le produit, son installation et son usage sont en accord avec eux.

Certains aspects de désistement ne sont pas applicables aux produits pour consommateur; ex : (a) certaines juridictions ne permettent pas l'exclusion ou la limitation des dommages indirects ou fortuits et donc la limitation ou exclusion ci-dessus peut ne pas s'appliquer dans le cas présent; (b) également, certaines juridictions n'autorisent pas de limitations de durée de la garantie implicite, en conséquence, la limitation ci-dessus peut ne pas s'appliquer dans le cas présent; et (c) par force de loi, pendant la période de cette Garantie Limitée, toutes garanties impliquées de commerciabilité ou d'adaptabilité à un besoin particulier applicables aux produits de consommateurs achetés par des consommateurs, peuvent ne pas être exclues ni autrement désistées.

Disposition prompte. Un effort de bonne foi sera fait pour corriger ou ajuster rapidement tout produit prouvé défectueux pendant la période de la garantie limitée. Pour tout produit considéré défectueux pendant la période de garantie limitée, contacter tout d'abord le concessionnaire où l'appareil a été acheté. Le concessionnaire doit donner des instructions supplémentaires. S'il est impossible de résoudre le problème de façon satisfaisante, écrire à Dayton à l'adresse ci-dessous, en indiquant le nom et l'adresse du concessionnaire, la date et le numéro de la facture du concessionnaire, et en décrivant la nature du défaut. Le titre et le risque de perte passent à l'acheteur au moment de la livraison par le transporteur. Si le produit a été endommagé pendant le transport, une réclamation doit être faite auprès du transporteur.

Fabriqué pour Dayton Electric Mfg. Co., 5959 W. Howard St., Niles, Illinois 60714-4014 États-Unis