

Please read and save these instructions. Read carefully before attempting to assemble, install, operate or maintain the product described. Protect yourself and others by observing all safety information. Failure to comply with instructions could result in personal injury and/or property damage! Retain instructions for future reference.

Speedaire® Air Hammer Kit

Description

Speedaire Air Hammers are designed for general duty applications such as mufflers and pipe removal, body shop work, shock work, scraping rust, and light front-end work. This tool features a "Quick-Change" retainer for simple accessory changes, heat-treated impact parts for durability and an ergonomic handle for added operator comfort. Uses .401 shank chisels.

Includes:

- 1 - Air Hammer
- 1 - Edging tool
- 1 - Tail pipe cutter
- 1 - Flat chisel
- 1 - Cutting chisel
- 1 - Punch
- 1 - Spring retainer



Figure 1

Unpacking

When unpacking the unit, carefully look for any damage that may have occurred during transit. Check for loose, missing or damaged parts.

Specifications

Chisel Shank Size.....	0.401 Shank
Speed.....	2000BPM
Stroke Length.....	3-1/2"
Length.....	9.9"
Average CFM@15 Second Run Time.....	3CFM
CFM @ Full Load Air Consumption.....	15CFM
Recommended hose size.....	3/8" I.D.
Air inlet.....	1/4" NPT
Required Air Pressure.....	90 PSI

General Safety Information

1. For Additional Safety Information Consult:

Your employer, union, and/or trade association.
 US Department of Labor (OSHA); www.osha.gov.
 "Safety Code For Portable Air Tools" (B186.1) available from: www.ansi.org.

2. Projectile Hazards

Always wear impact-resistant eye and face protection when involved with or near the operation, repair or maintenance of the tool or changing accessories on the tool. Be sure all others in the area are wearing impact-resistant eye and face protection.

Never operate a tool unless the accessory is retained in the tool with a proper retainer (see parts list).

To avoid injury, retainer parts must be replaced when they become worn, cracked or distorted. On overhead work, wear a safety helmet.

3. Accessory Hazards

Never use any chisel as a hand struck tool. They are specifically designed and heat-treated to be used only in air hammers. Select the correct shank and retainer for the tool being used. Never use dull accessories as they require excessive work pressure and can break from fatigue. Never cool a hot accessory in water. Brittleness and early failure can result.

This tool and its accessories must not be modified in any way. Accessory breakage or tool damage may result from prying. Take smaller bites to avoid getting struck.

4. Workplace Hazards

Slip/Trip/Fall is a major cause of serious injury or death. Beware of excess hose left on the walking or work surface. High sound levels can cause permanent hearing loss. Use hearing protection as recommended by your employer or OSHA regulation (see 29 CFR part 1910).

Maintain a balanced body position and secure footing. Repetitive work motions, awkward positions and exposure to vibration can be harmful to hands and arms. If numbness, tingling, pain or whitening of the skin occurs, stop using the tool and consult a physician.

Avoid inhaling dust or handling debris from the work process which can be harmful to your health. Use dust extraction and wear respiratory protective equipment when working with materials which produce airborne particles. Proceed with care in unfamiliar surroundings. Hidden hazards may exist, such as electric or other utility lines.

This tool is not intended for use in explosive atmospheres and is not insulated for contact with electric power sources.

Some dust created by power sanding, sawing, grinding, drilling and other construction activities contains chemicals known to the State of California to cause cancer and birth defects or other reproductive harm.

WARNING

To reduce risk of injury, everyone using, installing, repairing, maintaining, changing accessories on, or working near this tool must read and understand these instructions before performing any such task.

Speedaire® Air Hammer Kit

ENGLISH

General Safety Information (continued)

4. Workplace Hazards (continued)

Some examples of these chemicals are:

- Lead from lead based paints
- Crystalline silica bricks and cement and other masonry products
- And Arsenic and chromium from chemically-treated rubber

Your risk from these exposures varies, depending on how often you do this type of work. To reduce your exposure to these chemicals: work in a well ventilated area, and work with approved safety equipment, such as dust masks that are specially designed to filter out microscopic particles.

For professional use only.

Installation

Designed to operate on 90 PSI, lower pressure (below 90 PSI) will reduce performance of the tool while higher air pressure (over 90 PSI) raises the performance of the tool beyond its rated capacity and could cause serious damage to tool and user.

Always use clean dry air. Excessive moisture and dirt will greatly reduce the life of any air motor. We recommend the installation of an in-line filter-regulator-lubricator as close to the tool as possible.

A 3/8" air hose is required up to a length of 8 ft. If more length is required a 1/2" air hose should be connected to the 3/8" hose to ensure the tool has the necessary air supply. Be sure all hoses and fittings are the correct size and tightly secured.

Pre-Operation

Before the tool is connected to the air supply, clean the air hose of accumulated dust and moisture. Before removing a tool for service or changing chisels/needles, make sure the air line is shutoff and drained of air. This will prevent the tool from operating if the throttle is accidentally engaged.

Operation

1. Operating Hazards.

To prevent damage to the tool and accessory, accessory must be held firmly against work surface before tool is throttled.

Always shut off air supply, relieve hose of air pressure and disconnect tool from air supply when changing accessories.

Avoid direct contact with accessory and work surface during and after work as they become heated and sharp.

Wear gloves to protect hands.

Operators and maintenance personnel must be physically able to handle the bulk, weight, and power of the tool.

Holding the accessory with the free hand can be a source of vibration exposure or injury.

2. Supply tool with 90 PSI of clean, dry air. Higher pressure drastically reduces tool life. Connect tool to air line using pipe, hose and fitting sizes shown in Figure 2.

3. Air Supply and Connection Hazards.

Air under pressure can cause severe injury.

Always shut off air supply, drain hose of air pressure and disconnect tool from air supply when not in use, before changing accessories or when making repairs.

Never direct air at yourself or anyone else.

Whipping hoses can cause serious

injury. Always check for damaged or loose hoses and fittings.

Do not use quick disconnect couplings at tool. See Figure 2 for correct set-up.

Whenever universal twist couplings are used, lock pins must be installed.

Do not exceed maximum air pressure of 90 PSI or as stated on tool nameplate.

Maintenance

Lubrication

Use an air line lubricator with Mobil Almo 525 air tool oil (model 4ZF22), adjusted to two drops per minute. If an air line lubricator cannot be used, add air motor oil to the inlet once a day.

The use of synthetic oils for air line lubrication is not recommended because of possible damage to seals, o-rings, hose, rotor blades and polycarbonate oiler/filter bowls.

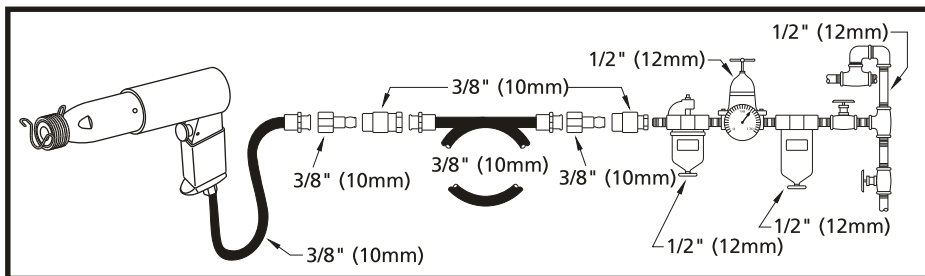


Figure 2 - Air Diagram

For Repair Parts, call 1-800-323-0620

24 hours a day – 365 days a year

Please provide following information:

- Model number
- Serial number (if any)
- Part description and number as shown in parts list

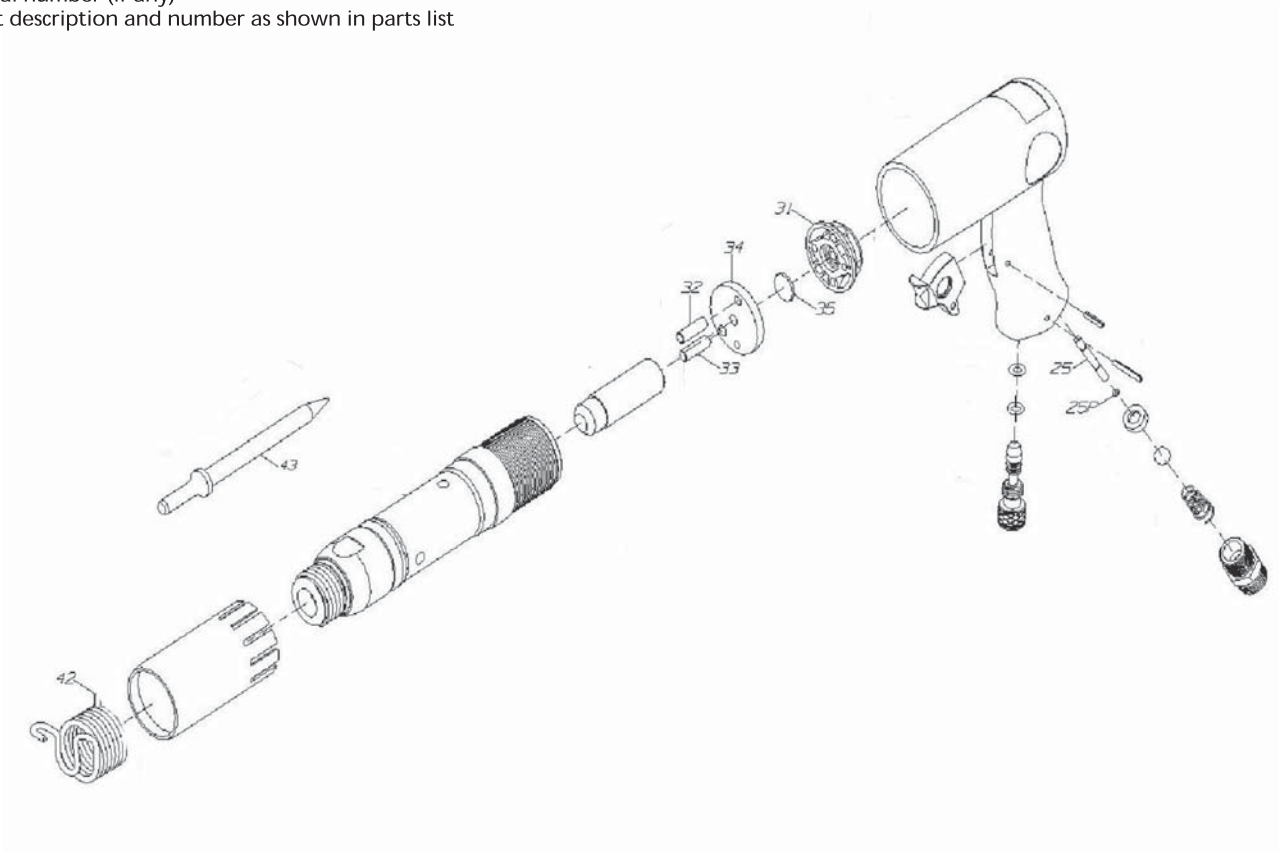


Figure 3 – Repair Parts Illustration for Model 12V728

Repair Parts List

Ref. No.	Part No.	Description	Qty.	Ref. No.	Part No.	Description	Qty.
25	PN12V728025G	Push Rod	1	34	PN12V728034G	Lower Valve Case	1
25P	PN12V728025PG	O-Ring, PK2	1	35	PN12V728035G	Valve Disc	1
31	PN12V728031G	Upper Valve Case	1	42	PN12V728042G	Spring Retainer	1
32	PN12V728032G	Valve Pin (Large)	1	43	PN12V728043G	Chisel Set, PK5	1
33	PV12V728033G	Valve Pin (Small)	1				

(*) Parts listed without model are not offered

ENGLISH

Speedaire® Air Hammer Kit

LIMITED WARRANTY

DAYTON ONE-YEAR LIMITED WARRANTY. SPEEDAIRE® AIR HAMMER KIT, MODELS COVERED IN THIS MANUAL, ARE WARRANTED BY DAYTON ELECTRIC MFG. CO. (DAYTON) TO THE ORIGINAL USER AGAINST DEFECTS IN WORKMANSHIP OR MATERIALS UNDER NORMAL USE FOR ONE YEAR AFTER DATE OF PURCHASE. ANY PART WHICH IS DETERMINED TO BE DEFECTIVE IN MATERIAL OR WORKMANSHIP AND RETURNED TO AN AUTHORIZED SERVICE LOCATION, AS DAYTON DESIGNATES, SHIPPING COSTS PREPAID, WILL BE, AS THE EXCLUSIVE REMEDY, REPAIRED OR REPLACED AT DAYTON'S OPTION. FOR LIMITED WARRANTY CLAIM PROCEDURES, SEE "PROMPT DISPOSITION" BELOW. THIS LIMITED WARRANTY GIVES PURCHASERS SPECIFIC LEGAL RIGHTS WHICH VARY FROM JURISDICTION TO JURISDICTION.

LIMITATION OF LIABILITY. TO THE EXTENT ALLOWABLE UNDER APPLICABLE LAW, DAYTON'S LIABILITY FOR CONSEQUENTIAL AND INCIDENTAL DAMAGES IS EXPRESSLY DISCLAIMED. DAYTON'S LIABILITY IN ALL EVENTS IS LIMITED TO AND SHALL NOT EXCEED THE PURCHASE PRICE PAID.

WARRANTY DISCLAIMER. A DILIGENT EFFORT HAS BEEN MADE TO PROVIDE PRODUCT INFORMATION AND ILLUSTRATE THE PRODUCTS IN THIS LITERATURE ACCURATELY; HOWEVER, SUCH INFORMATION AND ILLUSTRATIONS ARE FOR THE SOLE PURPOSE OF IDENTIFICATION, AND DO NOT EXPRESS OR IMPLY A WARRANTY THAT THE PRODUCTS ARE MERCHANTABLE, OR FIT FOR A PARTICULAR PURPOSE, OR THAT THE PRODUCTS WILL NECESSARILY CONFORM TO THE ILLUSTRATIONS OR DESCRIPTIONS. EXCEPT AS PROVIDED BELOW, NO WARRANTY OR AFFIRMATION OF FACT, EXPRESSED OR IMPLIED, OTHER THAN AS STATED IN THE "LIMITED WARRANTY" ABOVE IS MADE OR AUTHORIZED BY DAYTON.

Technical Advice and Recommendations, Disclaimer. Notwithstanding any past practice or dealings or trade custom, sales shall not include the furnishing of technical advice or assistance or system design. Dayton assumes no obligations or liability on account of any unauthorized recommendations, opinions or advice as to the choice, installation or use of products.

Product Suitability. Many jurisdictions have codes and regulations governing sales, construction, installation, and/or use of products for certain purposes, which may vary from those in neighboring areas. While attempts are made to assure that Dayton products comply with such codes, Dayton cannot guarantee compliance, and cannot be responsible for how the product is installed or used. Before purchase and use of a product, review the product applications, and all applicable national and local codes and regulations, and be sure that the product, installation, and use will comply with them.

Certain aspects of disclaimers are not applicable to consumer products; e.g., (a) some jurisdictions do not allow the exclusion or limitation of incidental or consequential damages, so the above limitation or exclusion may not apply to you; (b) also, some jurisdictions do not allow a limitation on how long an implied warranty lasts, consequently the above limitation may not apply to you; and (c) by law, during the period of this Limited Warranty, any implied warranties of implied merchantability or fitness for a particular purpose applicable to consumer products purchased by consumers, may not be excluded or otherwise disclaimed.

Prompt Disposition. A good faith effort will be made for prompt correction or other adjustment with respect to any product which proves to be defective within limited warranty. For any product believed to be defective within limited warranty, first write or call dealer from whom the product was purchased. Dealer will give additional directions. If unable to resolve satisfactorily, write to Dayton at address below, giving dealer's name, address, date, and number of dealer's invoice, and describing the nature of the defect. Title and risk of loss pass to buyer on delivery to common carrier. If product was damaged in transit to you, file claim with carrier.

Manufactured for Dayton Electric Mfg. Co.

Por favor lea y guarde estas instrucciones. Léalas cuidadosamente antes de tratar de montar, instalar, operar o dar mantenimiento al producto aquí descrito. Protéjase usted mismo y a los demás observando toda la información de seguridad. ¡El no cumplir con las instrucciones puede ocasionar daños, tanto personales como a la propiedad! Guarde estas instrucciones para referencia en el futuro.

Juego de Marteau Neumatico Speedaire®

Descripción

Los martillos neumáticos Dayton están diseñados para aplicaciones de servicio general como el retiro de silenciadores, trabajos de taller de carrocería, trabajos de amortiguadores, raspado de herrumbre y trabajos menores del extremo delantero. Estas herramientas están equipadas con un retén de "cambio rápido" para simplificar los cambios de accesorios, piezas de impacto tratadas con calor y una manija ergonómica para mayor comodidad del operador. Utiliza cinces de espiga de 0,401 plug.

Incluye:

- 1 - Martillo Neumático
- 1 - Bordes de la herramienta
- 1 - Cola cortatubos
- 1 - Cíncel plano
- 1 - Corte cíncel
- 1 - Ponche
- 1 - Resorte de retención



Figura 1

Desempaque

Cuando desempaque la unidad, verifique cuidadosamente si han ocurrido daños durante el envío. Revise si hay partes que faltan, que están sueltas o que están dañadas.

Specifications

Tamaño del espiga de cíncel.....0.401"
 Velocidad.....2000 golpes por minuto
 Longitud del recorrido.....3-1/2"
 Longitud..... 9.9"
 Consumo de aire promedio..... 3 pies cúbicos por minuto
 Consumo de aire real con carga.....15 pies cúbicos por minuto
 Tamaño de la manguera recomendado.....3/8" diá. int.
 Entrada de aire.....1/4" NPT
 Presión de aire máxima.....90 PSI

Información de Seguridad General

1. **Para obtener información de seguridad adicional consulte:** Con la empresa, sindicato y/o asociación comercial. Con el Ministerio de trabajo de EE.UU.

(OSHA); www.osha.gov. "Safety Code for Portable Air Tools"(Código de seguridad para herramientas neumáticas portátiles) B186.1, disponible en:www.ansi.org

2. **Peligro de proyección**
 Utilice siempre protección facial y ocular resistente a impactos cuando esté en contacto o próximo al funcionamiento, reparación o mantenimiento de la herramienta o al cambio de accesorios de la misma. Asegúrese de que las otras personas que se encuentran en el área de trabajo también utilizan protección facial y ocular resistente a impactos. Antes de utilizar una herramienta, asegúrese de que el accesorio está sujeto a ella con el retenedor apropiado (consulte la lista de piezas). Para evitar posibles lesiones, las piezas del retenedor deben cambiarse cuando se gasten, agrieten o distorsionen. Si realiza trabajos por encima de la altura de la cabeza, póngase un casco protector.
3. **Peligro del accesorio**
 Nunca utilice un cíncel como herramienta de percusión manual. Existen cinces especialmente diseñados y tratados térmicamente para uso

exclusivo con martillos neumáticos. Seleccione la espiga y retenedor apropiados para la herramienta que esté utilizando.

No utilice accesorios de poca potencia pues requieren una presión excesiva y pueden romperse por desgaste. Nunca utilice agua para enfriar un accesorio caliente, pues puede provocar agrietamientos o averías. Esta herramienta y sus accesorios no pueden modificarse en modo alguno. Si trata de desmontar la herramienta o investigar en ella puede dañarla. No presione demasiado la máquina para no recibir golpes de retroceso.

4. **Peligro en el lugar de trabajo**
 Resbalones, tropiezos y caídas son las causas más frecuentes de lesiones graves o muerte. Preste atención a las mangueras que se encuentren en el suelo o en la superficie de trabajo. Un nivel alto de ruido puede causar pérdida auditiva permanente. Utilice la protección recomendada en su empresa o por la regulación de OSHA (consulte 29 CFR sección 1910). Mantenga el cuerpo en una posición equilibrada y segura. Mantenga el control del regulador en todo momento. No se quede atrapado entre la herramienta y el trabajo. Movimientos continuos, posiciones incorrectas y exposición a la vibración pueden dañar las manos y brazos. Si siente adormecimiento, cosquilleo, dolor o palidez en la piel, deje de usar la herramienta y consulte a un médico. Evite la inhalación de polvo o el manejo de residuos producidos en el trabajo, ya que pueden resultar perjudiciales para su salud. Utilice un mecanismo de extracción de polvo y use equipo de protección respiratoria cuando trabaje con materiales que producen partículas que pueden ser transportadas por el aire.

⚠ ADVERTENCIA

Con el fin de reducir el riesgo de lesión, toda persona que utilice, instale, repare, mantenga, cambie accesorios o trabaje cerca de esta herramienta debe leer y comprender estas instrucciones antes de llevar a cabo cualquiera de las tareas antes mencionadas.

Juego de Marteau Neumatico Speedaire®

Información de Seguridad General (continuado)

4. Peligro en el lugar de trabajo (continuado)

Proceda con precaución en entornos desconocidos. Pueden existir peligros subyacentes, como líneas eléctricas o líneas de otro tipo.

Esta herramienta no está diseñada para utilizarse en ambiente explosivo y no está aislada del contacto con fuentes de corriente eléctrica.

Las operaciones de lijar, aserruchar, esmerilar, taladrar y otras actividades de construcción producen polvo que podría contener productos químicos que se ha demostrado en el Estado de California que causan cáncer, defectos de nacimiento u otros daños reproductivos. Algunos ejemplos de estos productos químicos son los siguientes:

- Plomo de las pinturas con base de plomo
- Cemento y ladrillos de sílice cristalina y otros productos de mampostería
- Arsénico y cromo del caucho sometido a tratamiento químico

El riesgo de exposición varía de acuerdo con la frecuencia que usted realice este tipo de trabajo. Para reducir su exposición a estos productos químicos: trabaje en una área bien ventilada y con equipo de seguridad apropiado, tal como máscaras contra el polvo especialmente diseñadas para filtrar las partículas microscópicas. Sólo para uso profesional.

Instalación

La herramienta ha sido diseñada para operar a 620 kPa, por lo tanto, la presión más baja (por debajo de 620 kPa) reducirá su rendimiento y la presión de aire más alta (sobre 620 kPa) aumentará el rendimiento de la herramienta por sobre su capacidad nominal, lo que podría dañarla gravemente o lesionar al usuario.

Siempre use aire limpio y seco. La humedad excesiva y la mugre reducen

considerablemente la duración de cualquier motor de aire. Recomendamos la instalación en línea de un filtro-regulador-lubricador, tan cerca de la herramienta como sea posible.

Es necesario usar una manguera de 3/8" de hasta 2,44 m de largo. Si se necesita una mayor longitud, se debe conectar una manguera de aire de 1/2" a la de 3/8", para asegurarse que la herramienta cuente con el abastecimiento de aire necesario. Asegúrese que todos las mangueras y los accesorios sean del tamaño correcto y que firmemente asegurados.

Antes del Uso

Antes de que la herramienta se conecte con el abastecimiento de aire, despeje el polvo y la humedad que se han acumulado en la manguera de aire. Antes de remover una herramienta para darle servicio o para cambiar cinceles/aguja asegúrese que la tubería de aire esté apagada y sin aire. Esto evitará que la herramienta opere si el mando se engancha por accidente.

Operación

1. Peligro De Utilización

Para evitar que la herramienta y el accesorio se dañen, éste debe estar sujeto firmemente a la superficie de trabajo antes de regular la herramienta.

Cuando cambie los accesorios, asegúrese de apagar siempre el suministro de aire, vaciar la manguera de dicha presión y desconectar la herramienta. Mientras esté trabajando, evite el contacto directo con los accesorios y la superficie de trabajo, pues éstos se calientan y se vuelven afilados. Póngase guantes para protegerse la manos.

Los operadores y el personal de mantenimiento deben estar físicamente capacitados para soportar el volumen, peso y potencia de esta herramienta. No sostenga el accesorio con una sola mano, ya que puede recibir

vibraciones o lesiones.

2. Suministro de aire limpio y seco de 620 kPa. Una presión superior reduciría muy considerablemente la vida de la herramienta. Conecte la herramienta en la línea de aire usando el tubo y la manguera; encaje las piezas según los tamaños indicados en Figura 2.

3. Peligro en el suministro de aire y las conexiones.

El aire bajo presión puede causar lesiones graves.

Antes de realizar reparaciones o cambiar accesorios, asegúrese siempre de apagar el suministro de aire, vaciar la manguera de presión de aire y desconectar la herramienta del suministro de aire cuando no esté en uso.

Nunca debe dirigir el aire hacia usted o a terceros.

Las mangueras de conexión pueden causar lesiones graves. Siempre debe comprobar las mangueras y los ajustes dañados o sueltos.

No utilice acoplamientos de desconexión rápida en la herramienta.

Consulte Figura 2 para realizar una instalación adecuada.

Si utiliza acoplamientos universales para rotar, deberá instalar patillas de seguridad.

La presión de aire no puede exceder un máximo de 6,3 kg/cm² (6,2 bares) o según se especifique en la placa de identificación de la herramienta.

Mantenimiento

Lubricación

Utilice un lubricador de línea de aire con aceite para herramientas neumáticas Mobil Almo 525 (modelo 4ZF22), ajustado en dos (2) gotas por minuto. Si no puede utilizar un lubricador de línea de aire, añada aceite para motor de aire una vez al día. El uso de aceites lubricante sintéticos está totalmente contraindicado porque puede generar daños en sellados, arandelas, mangueras, palas de motor y cárteres policarbonados de lubricación/filtrado.

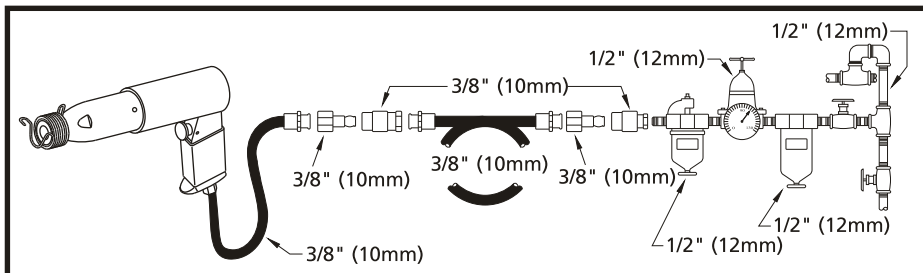


Figura 2 - Preparación de Tubería de Aire Recomendada

**Para Obtener Partes de Reparación en México Llame al 001-800-527-2331
en EE.UU. Llame al 1-800-323-0620**

Servicio permanente - 24 horas al día al año

Por favor proporciónenos la siguiente información:

- Número de modelo
- Número de serie (si lo tiene)
- Descripción de la parte y número que le corresponde en la lista de partes

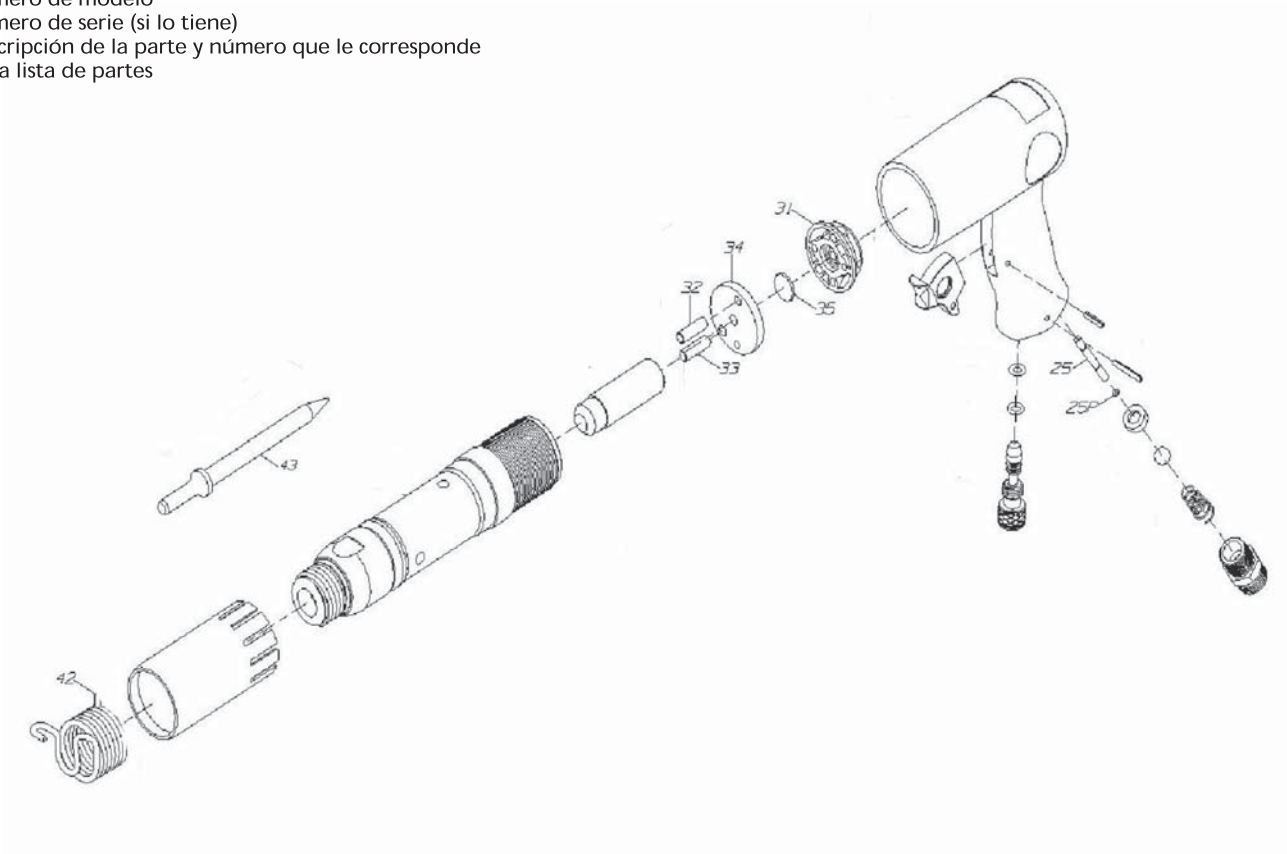


Figura 3 - Ilustración de las Partes de Repuesto 12V728

Lista de las Partes de Repuesto

No. de Ref.	No. de Parte	Descripción	Cant.	No. de Ref.	No. de Parte	Descripción	Cant.
25	PN12V728025G	Push Rod	1	34	PN12V728034G	Lower Valve Case	1
25P	PN12V728025PG	O-Ring, PK2	1	35	PN12V728035G	Valve Disc	1
31	PN12V728031G	Upper Valve Case	1	42	PN12V728042G	Spring Retainer	1
32	PN12V728032G	Valve Pin (Large)	1	43	PN12V728043G	Chisel Set, PK5	1
33	PV12V728033G	Valve Pin (Small)	1				

(*) Partes de la lista sin el modelo no se ofrecen

Juego de Marteau Neumatico Speedaire®

GARANTIA LIMITADA

GARANTIA LIMITADA DE DAYTON POR UN AÑO. DAYTON ELECTRIC MFG. CO. (DAYTON) LE GARANTIZA AL USUARIO ORIGINAL QUE LOS MODELOS TRATADOS EN ESTE MANUAL [DEL/DE LA/DE LOS/DE LAS] JUEGO DE MARTEAU SPEEDAIRE® ESTAN LIBRES DE DEFECTOS EN LA MANO DE OBRA O EL MATERIAL, CUANDO SE LES SOMETE A USO NORMAL, POR UN AÑO A PARTIR DE LA FECHA DE COMPRA. CUALQUIER PARTE QUE SE HALLE DEFECTUOSA, YA SEA EN EL MATERIAL O EN LA MANO DE OBRA, Y SEA DEVUELTA (CON LOS COSTOS DE ENVIO PAGADOS POR ADELANTADO) A UN CENTRO DE SERVICIO AUTORIZADO DESIGNADO POR DAYTON, SERA REPARADA O REEMPLAZADA (NO EXISTE OTRA POSIBILIDAD) SEGUN LO DETERMINE DAYTON. PARA OBTENER INFORMACION SOBRE LOS PROCEDIMIENTOS DE RECLAMO CUBIERTOS EN LA GARANTIA LIMITADA, VEA LA SECCION "ATENCION OPORTUNA" QUE APARECE MAS ADELANTE. ESTA GARANTIA LIMITADA CONFIERE AL COMPRADOR DERECHOS LEGALES ESPECIFICOS QUE VARIAN DE JURISDICCION A JURISDICCION.

LIMITES DE RESPONSABILIDAD. EN LA MEDIDA EN QUE LAS LEYES APLICABLES LO PERMITAN, LA RESPONSABILIDAD DE DAYTON POR LOS DAÑOS EMERGENTES O INCIDENTALES ESTA EXPRESAMENTE EXCLUIDA. LA RESPONSABILIDAD DE DAYTON EXPRESAMENTE ESTA LIMITADA Y NO PUEDE EXCEDER EL PRECIO DE COMPRA PAGADO POR EL ARTICULO.

EXCLUSION DE RESPONSABILIDAD DE LA GARANTIA. SE HAN HECHO ESFUERZOS DILIGENTES PARA PROPORCIONAR INFORMACION E ILUSTRACIONES APROPIADAS SOBRE EL PRODUCTO EN ESTE MANUAL; SIN EMBARGO, ESTA INFORMACION Y LAS ILUSTRACIONES TIENEN COMO UNICO PROPOSITO LA IDENTIFICACION DEL PRODUCTO Y NO EXPRESAN NI IMPLICAN GARANTIA DE QUE LOS PRODUCTOS SEAN VENDIBLES O ADECUADOS PARA UN PROPOSITO EN PARTICULAR NI QUE SE AJUSTAN NECESARIAMENTE A LAS ILUSTRACIONES O DESCRIPCIONES. CON EXCEPCION DE LO QUE SE ESTABLECE A CONTINUACION, DAYTON NO HACE NI AUTORIZA NINGUNA GARANTIA O AFIRMACION DE HECHO, EXPRESA O IMPLICITA, QUE NO SEA ESTIPULADA EN LA "GARANTIA LIMITADA" ANTERIOR.

Consejo Técnico y Recomendaciones, Exclusiones de Responsabilidad. A pesar de las prácticas, negociaciones o usos comerciales realizados previamente, las ventas no deberán incluir el suministro de consejo técnico o asistencia o diseño del sistema. Dayton no asume ninguna obligación o responsabilidad por recomendaciones, opiniones o consejos no autorizados sobre la elección, instalación o uso de los productos.

Adaptación del Producto. Muchas jurisdicciones tienen códigos o regulaciones que rigen la venta, la construcción, la instalación y/o el uso de productos para ciertos propósitos que pueden variar con respecto a los aplicables a las zonas vecinas. Si bien se trata de que los productos Dayton cumplan con dichos códigos, no se puede garantizar su conformidad y no se puede hacer responsable por la forma en que se instale o use su producto. Antes de comprar y usar el producto, revise su aplicación y todos los códigos y regulaciones nacionales y locales aplicables y asegúrese de que el producto, la instalación y el uso los cumplan.

Ciertos aspectos de limitación de responsabilidad no se aplican a productos al consumidor; es decir (a) algunas jurisdicciones no permiten la exclusión ni limitación de daños incidentales o consecuentes, de modo que las limitaciones o exclusiones anteriores quizás no apliquen en su caso; (b) asimismo, algunas jurisdicciones no permiten limitar el plazo de una garantía implícita, por lo tanto, la limitación anterior quizás no aplique en su caso; y (c) por ley, mientras la Garantía Limitada esté vigente no podrán excluirse ni limitarse en modo alguno ninguna garantía implícita de comercialización o de idoneidad para un propósito en particular aplicables a los productos al consumidor adquiridos por éste.

Atención Oportuna. Se hará un esfuerzo de buena fe para corregir puntualmente, o hacer otros ajustes, con respecto a cualquier producto que resulte defectuoso dentro de los términos de esta garantía limitada. En el caso de que encuentre un producto defectuoso y que esté cubierto dentro de los límites de esta garantía haga el favor de escribir primero, o llame, al distribuidor a quien le compró el producto. El distribuidor le dará las instrucciones adicionales. Si no puede resolver el problema en forma satisfactoria, escriba a Dayton a la dirección a continuación, dando el nombre del distribuidor, su dirección, la fecha y el número de la factura del distribuidor y describa la naturaleza del defecto. La propiedad del artículo y el riesgo de pérdida pasan al comprador en el momento de la entrega del artículo a la compañía de transporte. Si el producto se daña durante el transporte, debe presentar su reclamo a la compañía transportista.

Fabricado para Dayton Electric Mfg. Co.

Veillez lire et conserver ces instructions. Lire attentivement avant de commencer à assembler, installer, faire fonctionner ou entretenir l'appareil décrit. Protégez-vous et les autres en observant toutes les informations sur la sécurité. Négliger d'appliquer ces instructions peut résulter en des blessures corporelles et/ou en des dommages matériels ! Conserver ces instructions pour références ultérieures.

Jeu de Marteau Pneumatique Speedaire®

Description

Les marteaux pneumatiques Speedaire sont conçus pour les applications normales telles que le retrait des tubes et pots d'échappement, les travaux de carrosserie, l'installation et le retrait des amortisseurs, le retrait de la rouille et les petits travaux sur le train avant. Ces outils sont équipés d'un raccord rapide pour faciliter le changement des accessoires, de pièces d'impact trempées pour une plus grande longévité et d'une poignée ergonomique pour un meilleur confort de l'utilisateur. Utilisez des burins de 0,401".

Inclut:

- 1 - Marteau Pneumatique
- 1 - Liseré outil
- 1 - Coupe tuyau d'échappement
- 1 - Burin plat
- 1 - de coupe ciseau
- 1 - Punch
- 1 - Retenue à ressort



Figure 1

Déballage

Lors du déballage de l'outil, vérifiez-le soigneusement pour rechercher tout dommage susceptible de s'être produit en cours de transport. Recherchez également toute pièce desserrée, manquante ou endommagée.

Caractéristiques techniques

Dimension du porte-burin.....	0,401"
Vitesse.....	2000 BPM
Course.....	3-1/2"
Longueur.....	9,9"
Consommation d'air moyenne.....	3 CFM
Consommation d'air réelle en charge.....	15 CFM
Diam. int. de tuyau recommandé.....	3/8"
Arrivée d'air.....	1/4" NPT
Pression d'air maximum.....	90 PSI

Information de sécurité générale

- Pour obtenir des renseignements supplémentaires sur les mesures de sécurité, veuillez consulter:**
Votre employeur, syndicat et/ou association commerciale.
Le ministère du travail des Etats-Unis

- (OSHA), www.osha.gov.
Le code de sécurité pour les outils pneumatiques portatifs "Safety Code For Portable Air Tools" (B 186.1) disponible auprès de: www.ansi.org.
- Risques de projection**
Portez toujours un masque anti-choc couvrant les yeux et le visage si vous tenez près de l'outil, si vous l'utilisez, le réparez, le révisiez ou changez des accessoires.
Assurez-vous que toutes les personnes se trouvant à proximité de cette machine portent une protection. N'utilisez jamais un outil avec un accessoire qui ne serait pas retenu par une fixation adéquate (voir liste de pièces détachées).
Afin d'éviter des accidents, remplacez toute pièce de fixation qui serait usée, craquelée ou détendue.
Portez un casque de protection si vous travaillez en hauteur.
- Risques Liés À La Manipulation De L'accessoire**
N'utilisez pas le burin du marteau pneumatique avec un marteau traditionnel. Cet accessoire a été spécifiquement conçu et traité à chaud ou être utilisé avec un marteau à air comprimé.
Choisissez la queue de fixation et

l'attache adéquate à l'outil utilisé.

N'utilisez jamais d'accessoires émoussés qui demandent une trop grande pression de régime et sont sujets à des ruptures de fatigue. Ne plongez jamais un accessoire dans de l'eau pour le refroidir; cela risque de le rendre cassant et de provoquer une usure prématurée.

Ne modifiez en aucun cas cet outil et ses accessoires.

Limitez l'utilisation de votre outil à de petites zones pour éviter d'endommager le marteau ou de casser les accessoires.

- Risques sur le lieu de travail**
Les chutes peuvent être à l'origine de blessures graves, voire mortelles. Faites attention aux tuyaux qui traînent par terre ou sur le plan de travail. Un fort niveau sonore peut provoquer une perte auditive irréversible. Portez le modèle de casque antibruit préconisé par votre employeur ou la réglementation OSHA en vigueur (voir 29 CFR part 1910).

Pour travailler, prenez une position équilibrée et évitez toute surface glissante.

Des gestes répétitifs, de mauvaises positions et une exposition aux vibrations peuvent avoir des effets nuisibles sur les membres supérieurs. Si vous éprouvez des sensations d'engourdissement, de fourmillement, des douleurs ou si vous remarquez une décoloration de la peau, cessez immédiatement d'utiliser l'outil et consultez un médecin.

Évitez de respirer la poussière et les débris provenant des travaux; ces produits peuvent être dangereux. Utilisez un équipement d'extraction de la poussière et portez un appareil respiratoire lorsque vous travaillez avec des matériaux qui génèrent des particules aéroportées.

ATTENTION

Por réduire les risques d'accidents, il est impératif que toute personne qui utilise, installe ou répare cet outil, qui change des accessoires ou travaille à proximité lise attentivement ces instructions au préalable.

Jeu de Marteau Pneumatique Speedaire®

Information de sécurité générale (continué)

4. Risques sur le lieu de travail (continué)

Prenez des précautions particulières lorsque vous vous trouvez dans un environnement non familier; des lignes électriques ou autres, dont vous ne soupçonnez pas l'existence, peuvent être installées.

Cet outil ne doit pas être utilisé dans un endroit où sont stockés des explosifs. Évitez également de le mettre en contact avec une source électrique car il n'est pas isolé. Certaines poussières générées par les activités de construction telles que ponçage, sciage, meulage, perçage, etc., contiennent des substances chimiques qui, selon l'État de Californie, sont cancérigènes ou peuvent causer des anomalies congénitales ou encore constituer des dangers pour la reproduction.

Exemples de tels produits chimiques:

- Plomb provenant des peintures au plomb.
- Silice cristalline provenant des briques, du ciment et d'autres matériaux de maçonnerie.
- Arsenic et chrome provenant des caoutchoucs traités chimiquement.

Votre risque d'exposition à ces produits nocifs dépend de la fréquence à laquelle vous effectuez ces travaux. Pour réduire votre exposition à ces produits chimiques, travaillez dans un local bien aéré et portez un équipement de protection homologué tel que des masques anti-poussières spécialement conçus pour arrêter les particules microscopiques. Pour utilisation professionnelle uniquement.

Installation

L'outil est conçu pour fonctionner à une pression de 620 kPa. Son fonctionnement à une pression inférieure rend l'outil moins performant, alors que son fonctionnement à une pression supérieure accroît

ses performances au-delà de sa capacité nominale et risque d'endommager l'outil et de blesser l'utilisateur.

Alimentez toujours l'outil en air propre et sec. Une humidité et une saleté excessives réduisent grandement la durée de service de tout moteur pneumatique. Nous recommandons la pose d'un filtre-régulateur-lubrificateur sur la conduite, aussi près de l'outil que possible.

Il est nécessaire d'utiliser un tuyau de 3/8 po si sa longueur ne dépasse pas 2,44 m. Si une plus grande longueur de tuyau s'avère nécessaire, il convient de raccorder un tuyau de 1/2 po à celui de 3/8 po pour garantir que l'alimentation en air de l'outil est suffisante. Veillez à ce que tous les tuyaux et raccords soient de la bonne taille et bien serrés.

Avant utilisation

Avant de raccorder l'outil à l'alimentation en air, nettoyez le tuyau d'air pour le débarrasser de la poussière et de l'eau.

Avant de débrancher un outil pour entretien ou changement de ciseaux/aiguilles, veillez à couper l'alimentation en air et à purger le tuyau de l'air qu'il contient. Cela empêche l'outil de se mettre en marche si sa commande est actionnée accidentellement.

Fonctionnement

1. Risques Liés Au Fonctionnement De L'outil

Pour éviter d'endommager l'outil et l'accessoire, veillez à ce que ce dernier soit correctement calé contre le plan de travail avant de lancer l'outil à pleine puissance.

Avant de remplacer des accessoires, veillez à couper l'arrivée d'air comprimé, à purger le tuyau, puis à le débrancher de l'alimentation principale.

Évitez tout contact direct avec l'accessoire et le plan de travail pendant et après l'utilisation de la machine, car ils peuvent devenir coupant sous l'effet de la chaleur.

Mettez des gants de protection. Le personnel de maintenance et les opérateurs doivent être physiquement aptes à manier cet outil tant au niveau du poids, de l'encombrement que de la puissance. Tenez l'outil à deux mains pour absorber les vibrations qui peuvent être à l'origine d'accidents.

2. Cet outil doit être alimenté en air pur et sec à une pression de 620 kPa. Une pression plus élevée entraînerait une usure nettement plus rapide. Reliez l'outil à la ligne d'air en utilisant la conduite, le tuyau et les raccords dans les dimensions indiquées dans Figure 2.

3. Risques liés à l'air comprimé.

L'air comprimé peut provoquer des blessures graves.

Avant de remplacer des accessoires ou d'effectuer une réparation, ou lorsque l'outil est inutilisé, veillez à couper l'arrivée d'air comprimé, à purger le tuyau, puis à le débrancher de l'alimentation principale.

Ne dirigez jamais le jet d'air vers vous ou une autre personne.

Des tuyaux mal raccordés, endommagés ou aux bagues desserrées peuvent provoquer des blessures graves s'ils se détachent. Vérifiez tuyaux et bagues.

N'utilisez jamais d'attaches rapides sur l'outil. Reportez-vous Figure 2 d'installation.

Si vous utilisez des attaches torsadées universelles, prenez soin d'installer des goupilles de sécurité.

Ne dépassez pas une pression d'air maximum de 620 kPa ou celle indiquée sur l'outil.

Entretien

Graissage

Utilisez un lubrificateur sur la canalisation d'air réglé pour dispenser deux (2) gouttes huile pour outils pneumatiques Mobil Almo 525 (modèle 4ZF22) par minute. Si vous ne pouvez pas utiliser un lubrificateur sur la conduite d'air, ajoutez de l'huile de moteur dans l'unité d'admission une fois par jour. Il est recommandé de ne pas utiliser d'huiles synthétiques pour la lubrification sur la canalisation d'air pour ne pas endommager les joints, o-rings, tuyau, pales du rotor et les aubes de filtre/lubrificateur en

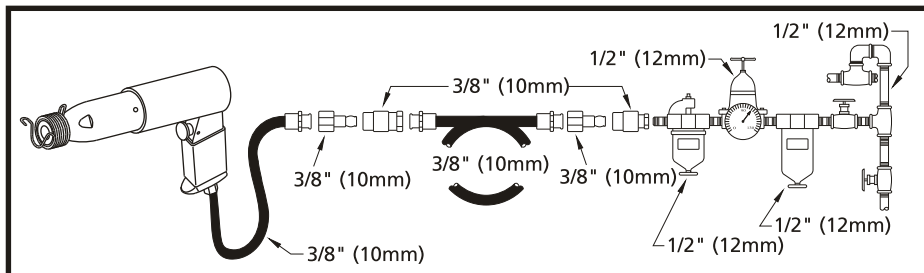


Figure 2 - Configuration recommandée de la conduite d'alimentation en air

Commandez les pièces détachées en appelant gratuitement 1 800 323-0620

24 heures par jour – 365 jours par an

S'il vous plaît fournir l'information suivante :

- Numéro de modèle
- Numéro de série (s'il y en a un)
- Description de la pièce et son numéro
comme montré sur la liste

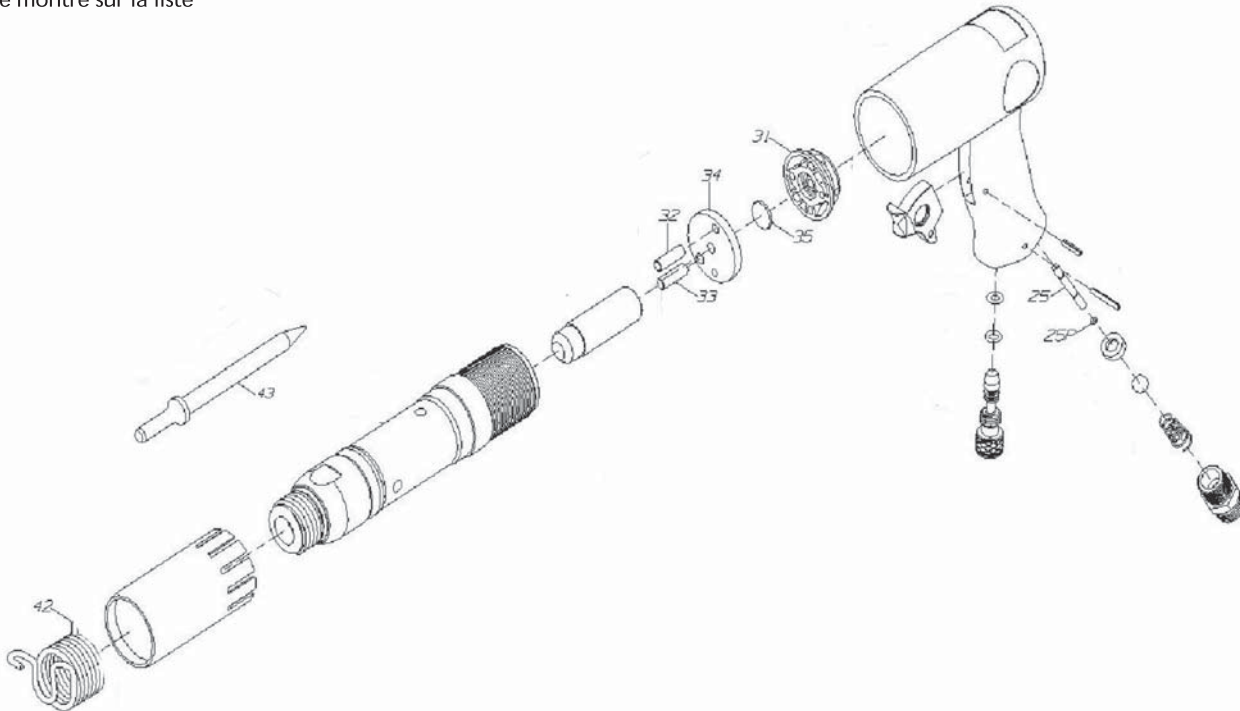


Figure 3 - Illustration des pièces de remplacement 12V728

Lista de las Partes de Repuesto

N° de réf.	N° de pièce	Description	Qté	N° de réf.	N° de pièce	Description	Qté
25	PN12V728025G	Push Rod	1	34	PN12V728034G	Lower Valve Case	1
25P	PN12V728025PG	O-Ring, PK2	1	35	PN12V728035G	Valve Disc	1
31	PN12V728031G	Upper Valve Case	1	42	PN12V728042G	Spring Retainer	1
32	PN12V728032G	Valve Pin (Large)	1	43	PN12V728043G	Chisel Set, PK5	1
33	PV12V728033G	Valve Pin (Small)	1				

(*) Pièces énumérées sans modèle ne sont pas offertes

Jeu de Marteau Pneumatique Speedaire®

GARANTIE LIMITÉE

GARANTIE LIMITÉE DE UN AN DE DAYTON. LES MODÈLES JEU DE MARTEAU DE SPEEDAIRE® COUVERTS DANS CE MANUEL SONT GARANTIS À L'UTILISATEUR D'ORIGINE PAR DAYTON ELECTRIC MFG. CO. (DAYTON), CONTRE TOUT DÉFAUT DE FABRICATION OU DE MATÉRIAUX, LORS D'UNE UTILISATION NORMALE, ET CELA PENDANT UN AN APRÈS LA DATE D'ACHAT. TOUTE PIÈCE, DONT LES MATÉRIAUX OU LA MAIN D'OUVRE SERONT JUGÉS DÉFECTUEUX, ET QUI SERA RENVOYÉE PORT PAYÉ, À UN CENTRE DE RÉPARATION AUTORISÉ PAR DAYTON, SERA, À TITRE DE SOLUTION EXCLUSIVE, SOIT RÉPARÉE, SOIT REMPLACÉE PAR DAYTON. POUR LE PROCÉDÉ DE RÉCLAMATION SOUS GARANTIE LIMITÉE, REPORTEZ-VOUS À LA CLAUSE DE « DISPOSITION PROMPTE » CI-DESSOUS. CETTE GARANTIE LIMITÉE DONNE AUX ACHETEURS DES DROITS LÉGAUX SPÉCIFIQUES QUI VARIENT DE JURIDICTION À JURIDICTION.

LIMITES DE RESPONSABILITÉ. LA RESPONSABILITÉ DE DAYTON, DANS LES LIMITES PERMISES PAR LA LOI, POUR LES DOMMAGES INDIRECTS OU FORTUITS EST EXPRESSEMENT DÉNIÉE. DANS TOUS LES CAS LA RESPONSABILITÉ DE DAYTON EST LIMITÉE ET NE DÉPASSERA PAS LA VALEUR DU PRIX D'ACHAT PAYÉ.

DÉSISTEMENT DE GARANTIE. DE DILIGENTS EFFORTS SONT FAITS POUR FOURNIR AVEC PRÉCISION LES INFORMATIONS ET ILLUSTRATIONS DES PRODUITS DÉCRITS DANS CETTE BROCHURE; CEPENDANT, DE TELLES INFORMATIONS ET ILLUSTRATIONS SONT POUR LA SEULE RAISON D'IDENTIFICATION, ET N'EXPRIMENT NI N'IMPLIQUENT QUE LES PRODUITS SONT COMMERCIALISABLES, OU ADAPTABLES À UN BESOIN PARTICULIER, NI QUE CES PRODUITS SONT NÉCESSAIREMENT CONFORMES AUX ILLUSTRATIONS OU DESCRIPTIONS. SAUF POUR CE QUI SUIT, AUCUNE GARANTIE OU AFFIRMATION DE FAIT, ÉNONCÉE OU IMPLICITE, AUTRE QUE CE QUI EST ÉNONCÉ DANS LA « GARANTIE LIMITÉE » CI-DESSUS N'EST FAITE OU AUTORISÉE PAR DAYTON.

Désistement sur les conseils techniques et les recommandations. Peu importe les pratiques ou négociations antérieures ou les usages commerciaux, les ventes n'incluent pas l'offre de conseils techniques ou d'assistance ou encore de conception de système. Dayton n'a aucune obligation ou responsabilité quant aux recommandations non autorisées, aux opinions et aux suggestions relatives au choix, à l'installation ou à l'utilisation des produits.

Conformité du produit. De nombreuses juridictions ont des codes et règlements qui gouvernent les ventes, constructions, installations et/ou utilisations de produits pour certains usages qui peuvent varier par rapport à ceux d'une zone voisine. Bien que Dayton essaie de s'assurer que ses produits s'accordent avec ces codes, Dayton ne peut garantir cet accord, et ne peut être jugée responsable pour la façon dont le produit est installé ou utilisé. Avant l'achat et l'usage d'un produit, revoir les applications de ce produit, ainsi que tous les codes et règlements nationaux et locaux applicables, et s'assurer que le produit, son installation et son usage sont en accord avec eux.

Certains aspects de désistement ne sont pas applicables aux produits pour consommateur; ex : (a) certaines juridictions ne permettent pas l'exclusion ou la limitation des dommages indirects ou fortuits et donc la limitation ou exclusion ci-dessus peut ne pas s'appliquer dans le cas présent; (b) également, certaines juridictions n'autorisent pas de limitations de durée de la garantie implicite, en conséquence, la limitation ci-dessus peut ne pas s'appliquer dans le cas présent; et (c) par force de loi, pendant la période de cette Garantie Limitée, toutes garanties impliquées de commerciabilité ou d'adaptabilité à un besoin particulier applicables aux produits de consommateurs achetés par des consommateurs, peuvent ne pas être exclues ni autrement désistées.

Disposition prompte. Un effort de bonne foi sera fait pour corriger ou ajuster rapidement tout produit prouvé défectueux pendant la période de la garantie limitée. Pour tout produit considéré défectueux pendant la période de garantie limitée, contacter tout d'abord le concessionnaire où l'appareil a été acheté. Le concessionnaire doit donner des instructions supplémentaires. S'il est impossible de résoudre le problème de façon satisfaisante, écrire à Dayton à l'adresse ci-dessous, en indiquant le nom et l'adresse du concessionnaire, la date et le numéro de la facture du concessionnaire, et en décrivant la nature du défaut. Le titre et le risque de perte passent à l'acheteur au moment de la livraison par le transporteur. Si le produit a été endommagé pendant le transport, une réclamation doit être faite auprès du transporteur.

Fabriqué pour Dayton Electric Mfg. Co.