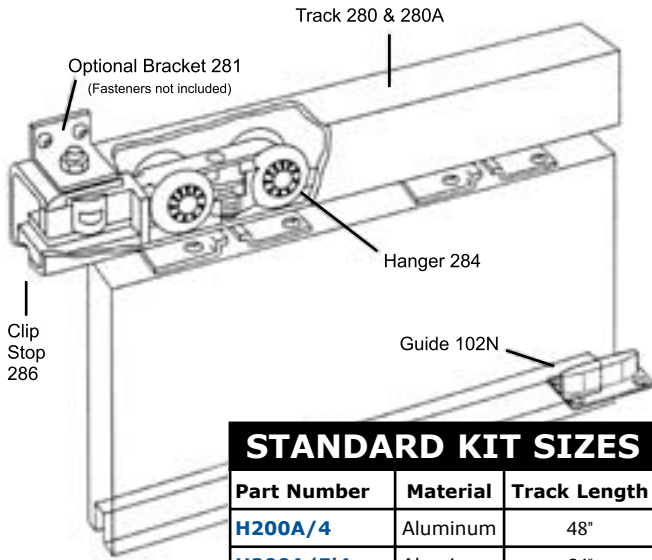


# SLIDING AND FOLDING HARDWARE

SLIDING AND FOLDING HARDWARE

## Sliding 200 Series

FOR SLIDING PANELS TO 200 LBS.



STANDARD KIT SIZES		
Part Number	Material	Track Length
<b>H200A/4</b>	Aluminum	48"
<b>H200A/5'4</b>	Aluminum	64"
<b>H200A/6</b>	Aluminum	72"
<b>H200A/7</b>	Aluminum	84"
<b>H200A/8</b>	Aluminum	96"
<b>H200A/10</b>	Aluminum	120"
<b>H200A/12</b>	Aluminum	144"
<b>H200/6</b>	Steel	72"
<b>H200/8</b>	Steel	96"

### CONFIGURATIONS:

- Single
- Bi-parting

### INSTALLATIONS:

- Face Mount
- Soffit Mount
- Face/Soffit Mount with Fascia

### FEATURES:

- Needle bearing hangers for smooth operation.
- 200 lb. panel capacity.
- Galvanized steel track 280.
- Aluminum track 280A.

### H200A Kits Include:

- 1 ea **280A** Track
- 2 ea **284** Hangers
- 1 ea **102N** Nylon Guide
- 2 ea **286** Stops
- 1 ea Adjusting wrench and mounting hardware

### H200 Kits Include:

- 1 ea **280** Track
- 2 ea **284** Hangers
- 1 ea **102N** Nylon Guide
- 2 ea **286** Stops
- 1 ea Adjusting wrench and mounting hardware

### OPTIONS:

Hardware Kit  
Mounting Bracket

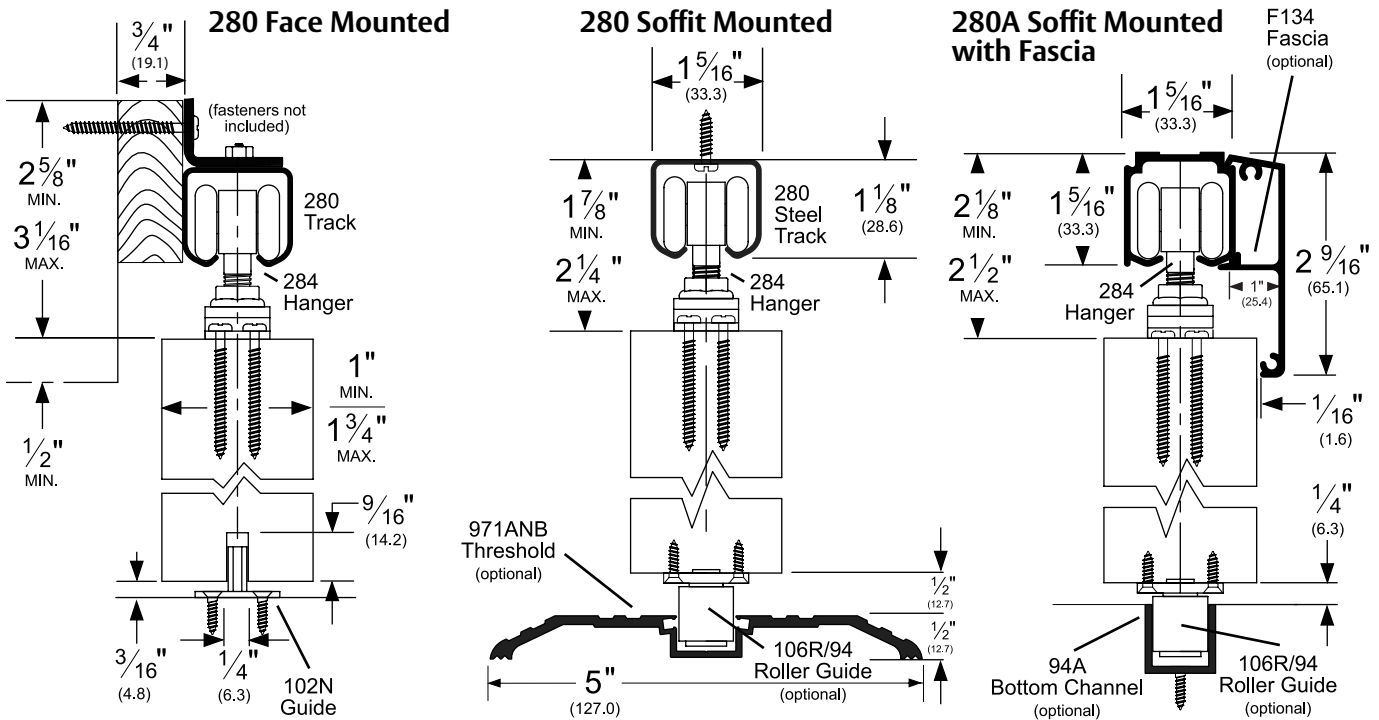
Track Stop (bumper)  
Bottom Channel  
Fascia, Snap-On  
Roller Guide  
Mortise Guide  
Threshold

### H200 PACK

**281** available as 5 pack only,  
**2815**  
**287**  
**94A**  
**F134** (280A only)  
**106R/94**  
**102WA**  
**971ANB**

### FINISHES:

280A available in Mill Finish Aluminum (A)  
F134 Fascia available in Clear Anodized (C)



▲ AVAILABLE FINISHES FOR PRODUCTS SHOWN ON THIS PAGE (see General Information section for finish chart)

A (Mill Finish Aluminum) • C (Clear Anodized)