

Manual Lever & Hand Wheel Force Test Stands

Shimpo's manual test stands offer the ability to obtain accurate, consistent results without the high cost of a motorized system.

Our lever operated stands are ideal for rapid testing applications and the hand wheel stands are excellent for applications where more precise control is necessary.

Both the lever and the hand wheel stands are available in various capacities and can ensure accurate, consistent test results with the addition of a Shimpo Instruments digital or mechanical force gage.

Nearly all manufacturers' gauges are compatible with Shimpo's test stands for incredible versatility. These stands are designed for precision, balance, and durability. Therefore they are perfectly suited for measuring a limitless range of materials such as, wire, spring, plastic, paper cord, tubing, glass and composites.



FGS-100H Hand
Wheel Test Stand



FGS-100L Lever
Test Stand

Features

- Versatile bottom mount mounting plate permits acceptance of both standard and custom-made attachments
- Adjustable clearance setting enables testing on a wide range of samples
- Precision gear movement provides a consistent linear motion that produces repetitively accurate results
- Modular, compact design reduces footprint, weight and cost
- Sturdy all steel construction allows exceptional durability and extended life of the product
- Compatibility with many vendor's force gauges facilitates flexibility when replacing older test stands
- Optional digital length meter added to stand creates deflection measurement testing for applications such as spring rate testing



FGS-50S Lever
Test Stand



FGS-1000H Hand
Wheel Test Stand

Manual Lever & Hand Wheel Test Stand Specifications

Model	FGS-50S	FGS-100L	FGS-100H	FGS-1000H
Capacity	50 lb (22 kg)	200 lb (100 kg)	200 lb (100 kg)	1000 lb (500 kg)
Stroke	1.97" (50 mm)	1.97" (50 mm)	0.12" (3 mm) /wheel turn approx.	6" (15.2 cm) 0.1" (2.5 mm)/ wheel turn approx.
Vertical Clearance	1.6", 2.75", 3.94" (40, 70, 100 mm)	3.31 - 11.57" (84 - 294 mm) 8 steps, 1.18"/step (30 mm/step)	2 - 7.95" (52 - 202 mm) 6 steps, 1.18"/step (30 mm/step)	Up to 13" (33 cm)
Product Weight	22 lb (10 kg)	33 lb (15 kg)	33 lb (15 kg)	56 lb (25.4 kg)

Ordering Details

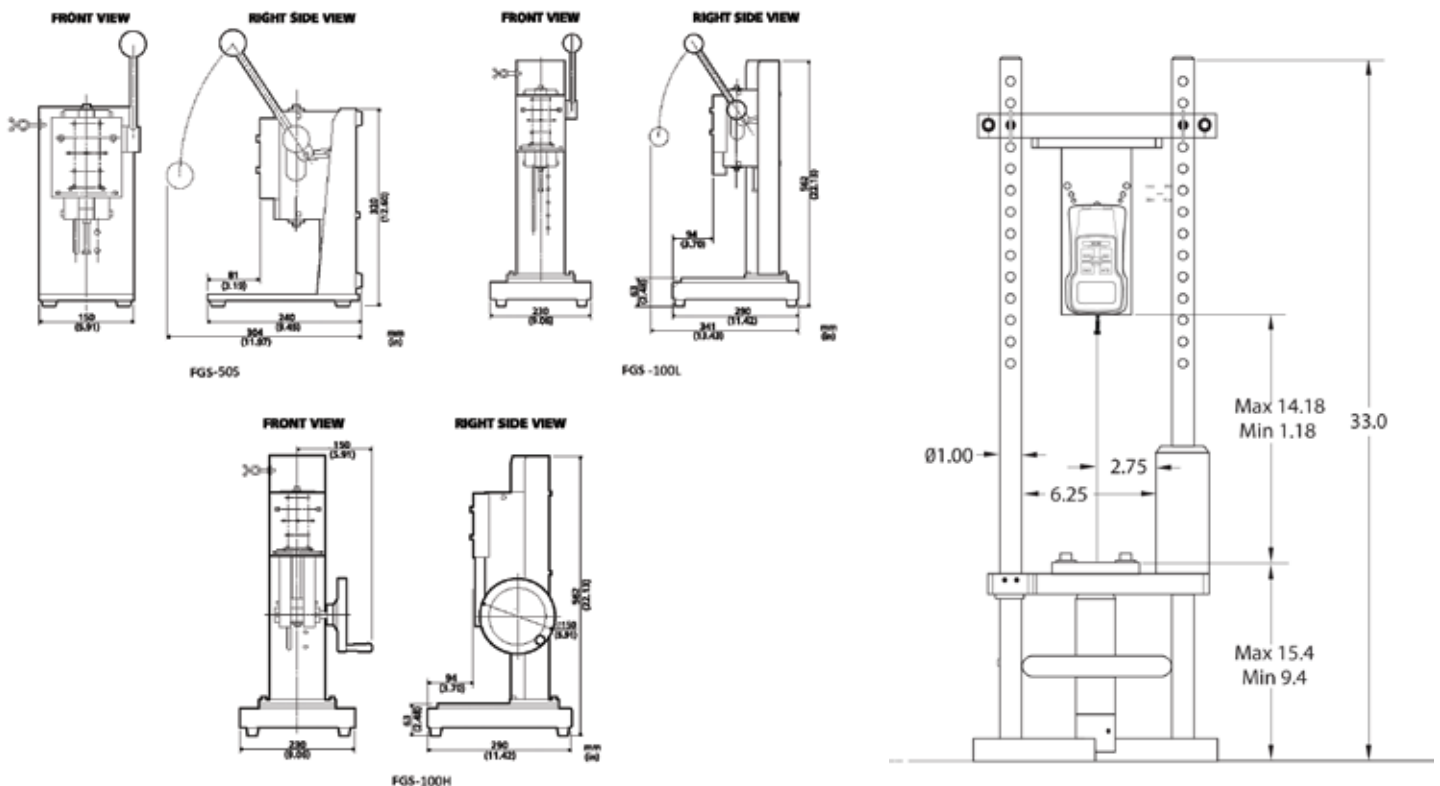
FGS-50S	50 lb (22 kg) Capacity Lever Operated Force Test Stand
FGS-100L	200 lb (100 kg) Capacity Lever Operated Force Test Stand
FGS-100H	200 lb (100 kg) Capacity Hand Wheel Operated Force Test Stand
FGS-1000H	1000 lb (500 kg) Capacity Hand Wheel Operated Force Test Stand

Accessories

FGS-LENGTH-H	Digital length scale for use with FGS-100H Test Stand
FGS-LENGTH-L	Digital length scale for use with FGS-100L Test Stand
UNI-PLATE	Universal mounting plate for force gauges

*For available force grips and adapters visit our website at www.shimpoint.com

Manual Lever & Hand Wheel Test Stand Dimensions



DISTRIBUTED BY:

A Nidec Group Company

SHIMPO All for dreams

NIDEC-SHIMPO AMERICA CORPORATION • Phone: (800) 237-7079 • Fax: (630) 924-0342 • www.shimpoint.com