

COLUMBIA PRODUCTS SANI-LAV®

Model N8 Nozzle Series



Models N8, N81



Models N8W, N81W



Models N8B, N81B



Models N820, N8120



Models N8W20, N81W20



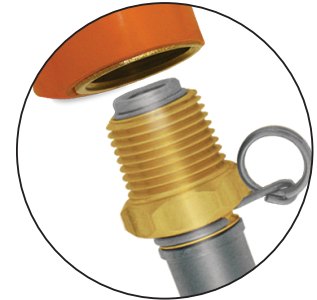
Models N8B20, N81B20

Universal Features Include

- 3/4" GHT inlet allows direct hose connection
- Maximum working pressure 150 psi
- Maximum operating temperature: 200°F/93°C
- Weight 2.3 lbs., 2.7 lbs. for models with N20 swivel adapter
- Safety shut off trigger when released
- Replaceable insulated safety orange, white or black covers

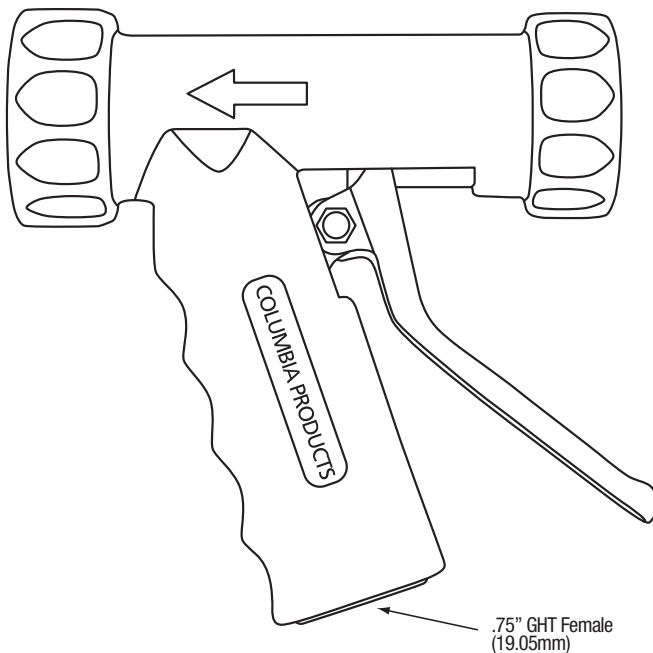


Model N20

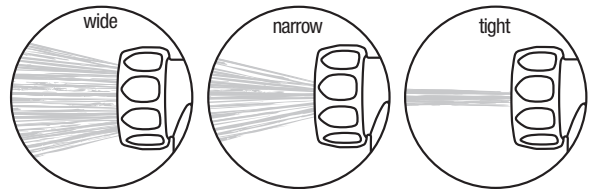


N20 Swivel 3/4" GHT, 3/4" hose barb included with Models (N820, N8120, N8W20, N81W20, N8B20 and N81B20)
(Sold separately on all other Models)

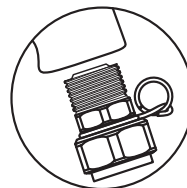
Model	Color	Body	Inlet	Tip	Handle Type	Max psi	Max Temp	Weight	GPM @ 100 psi	Swivel Adapter
N8	Safety Orange	Brass	GHT	n/a	Stainless	150	200	2.3	8.9	n/a
N820	Safety Orange	Brass	GHT	n/a	Stainless	150	200	2.7	8.9	N20
N8B	Black	Brass	GHT	n/a	Stainless	150	200	2.3	8.9	n/a
N8B20	Black	Brass	GHT	n/a	Stainless	150	200	2.7	8.9	N20
N8W	White	Brass	GHT	n/a	Stainless	150	200	2.3	8.9	n/a
N8W20	White	Brass	GHT	n/a	Stainless	150	200	2.7	8.9	N20
N81	Safety Orange	Brass	GHT	n/a	Stainless	150	200	2.3	5.3 Low Flow	n/a
N8120	Safety Orange	Brass	GHT	n/a	Stainless	150	200	2.7	5.3 Low Flow	N20
N81B	Black	Brass	GHT	n/a	Stainless	150	200	2.3	5.3 Low Flow	n/a
N81B20	Black	Brass	GHT	n/a	Stainless	150	200	2.7	5.3 Low Flow	N20
N81W	White	Brass	GHT	n/a	Stainless	150	200	2.3	5.3 Low Flow	n/a
N81W20	White	Brass	GHT	n/a	Stainless	150	200	2.7	5.3 Low Flow	N20



Variable Spray Nozzle



Trigger lever controls variable spray pattern



N17 Swivel Adapter

N8 Series Nozzles Replacement Parts

Part No.	Description
A N8OC	Orange insulated cover
A N8WC	White insulated cover
A N8BC	Black insulated cover
B N8MB	Main body
C N8HR	Handle replacement kit
1	Stainless steel nut
2	Stainless steel handle
3	Stainless steel handle arm sleeve
4	Stainless steel handle bolt
D N8BR	Barrel cartridge replacement kit
5	Flow adjustment tip
6	Washer
7	Washer sleeve
8	Axle
9	Stainless steel spring
10	O-ring
11	Axle bolt
12	O-ring
13	Nut
14	Lock washer
15	Bolt
16	Viton inlet washer
E N8E	Bolt sleeve
F N8F	Locking nut

